



30SQ045

Schottky Diodes

Features

Typical Applications

Mechanical Data

Package

Terminals

Polarity

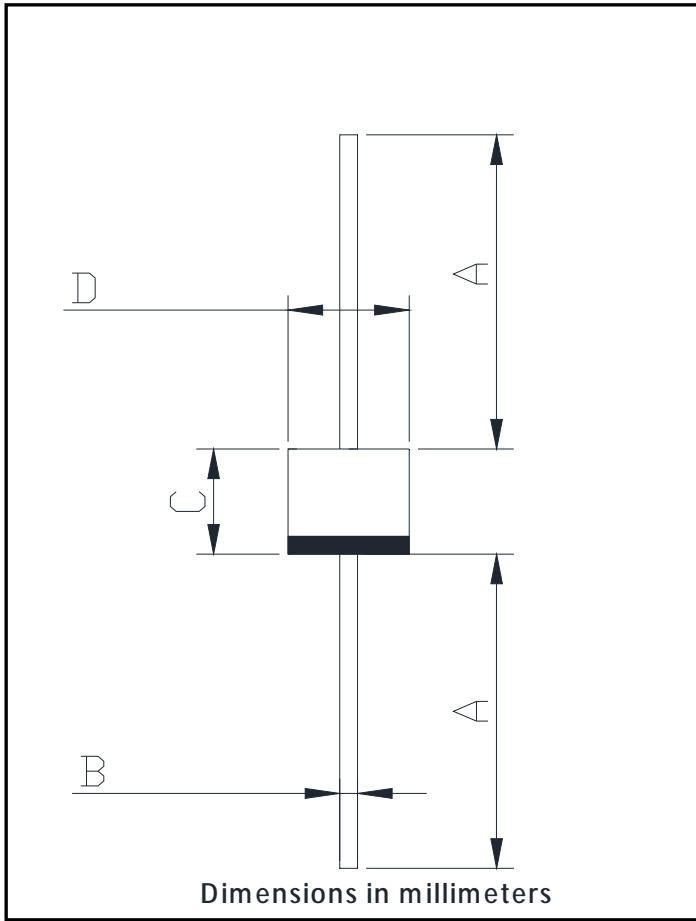


30SQ045

Ordering Information

PREFERED P/N	UNIT WEIGHT(g)	MINIIMUM PACKAGE(pcs)	INNER BOX QUANTITY(pcs)	OUTER CARTON QUANTITY(pcs)	DELIVERY MODE
--------------	----------------	-----------------------	-------------------------	----------------------------	---------------

Outline Dimensions



R-6		



30SQ045

Disclaimer
