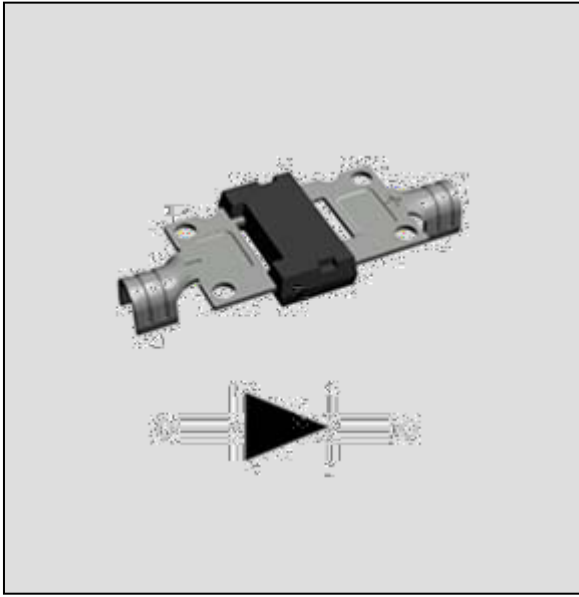




*)0.

6FKRWWN\ %\SDVV 'LRGH 0RGXC



)HDWXUHV
 " +LJK IUHTXHQF\ RSHUDWLRQ
 " /RZ IRUZDUG YROWDJH GURS
 " +LJK SXULW\ KLJK WSRSHUDWLVXODWLRQ
 HQKDQFHG PHFKDQDQOPRWWXUWKUHVLVWDQ
 " *XDUG ULQJ IRUXHQRQHQHQ DQG ORQJ WHUP
 UHOLDELOLW\

7\SLFDO \$SSOLFDFWLRQV
 3KRWRYROWDLF VRODU FHOO SURWHFWLRQ V

0HFKDQLFDO 'DWD
 " 3DFNDJH
 0ROGLQJ FRPSRXQG PHHWV 8/ 9 IODPPDE
 " 7HUPLQDQVSODWHG OHDGV VROGHUDEOH S
 DQG -(6' %
 " 3RODUWPDUNHG

V0D[LPXP 5DW7DQJV 8QOHVV RWKHUZZLVH VSHFLILHG

3\$5\$0(7(5	6<0%2/	81,7	*)0.
'HYLFH PDUNLQJ FRGH			*)0.
5HSHWLWLYH 3HDN 5HYHUVH 9ROWDJH	9550	9	
\$YHUDJH 5HFWLILHG 2XWSXW &XUUHQW # +] VLQH	ZDYH.25 OR DG 7D\$		
6XUJH 1RQ UHSHWLWLYH)RUVZDUHGZDXUHQWFOH +7	,)60	\$	
&XUUHQW 6TXDUHG 7LPH #-PV'5DWLQV RMSHU GLRGH	,W	\$6	

--	--	--	--

1RWH

0D[LPXP LQVWDQWDQHRXV IRUZDUG YROWDJH GURS SHU GLRGH \$			
0D[LPXP '& UHYHUVH FXUUHQW DW UDWHG '& EORFNLQJ YROWDJH SHU GLRGH	.550	P\$	950 9550 7D -
	.550	P\$	950 9550 7D -
	.550	P\$	950 9550 7D -

*) 0 .



*) 0 .

'LVFODLPHU

7KH LQIRUPDWLRQ SUHVHQWHG LQ WKL