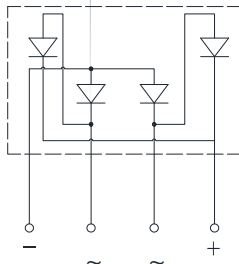


UL recognition, file #E230084
 Glass passivated chip junction
 Ideal for printed circuit boards
 High surge current capability
 Solder dip 275 °C max. 7 s, per JESD 22-B106

General purpose use in AC/DC bridge full wave rectification for monitor, TV, printer, power supply, switching mode power supply, adapter, audio equipment, and home appliances applications.



: GBU

Molding compound meets UL 94 V-0 flammability rating, RoHS-compliant

: Tin plated leads, solderable per J-STD-002 and JESD22-B102

As marked on body

($T_a=25$ Unless otherwise specified)



--	--	--	--

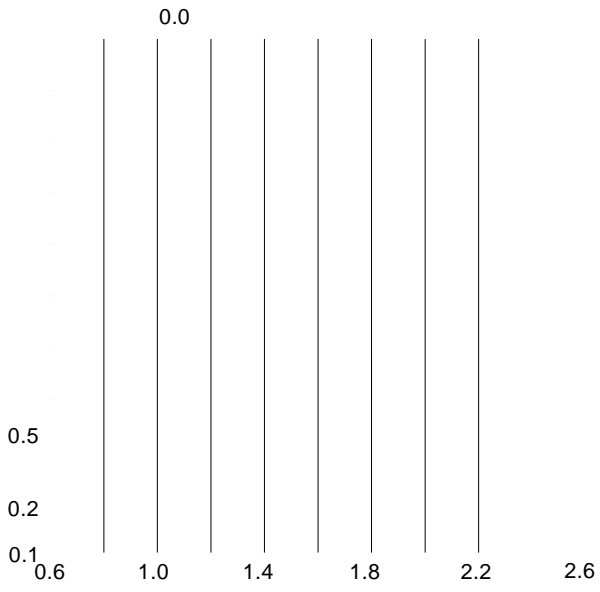
, Rating of per diode

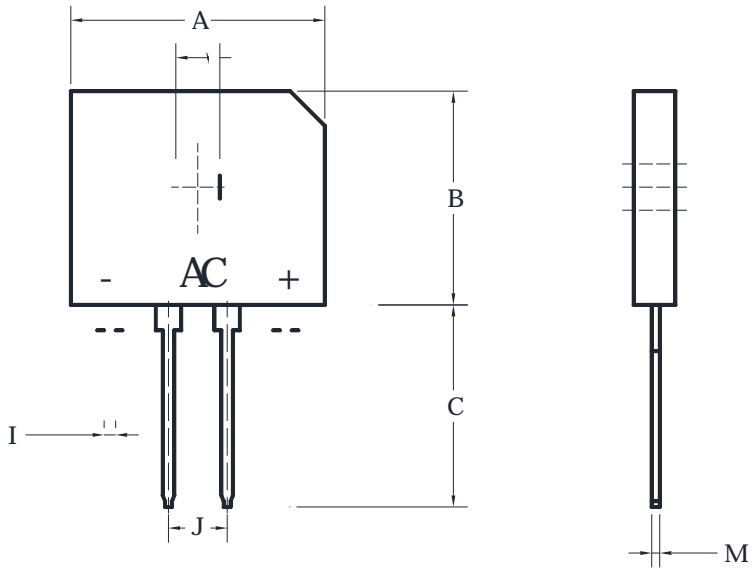
	τ_t	A ² S	201
Storage temperature	T _{stg}		-55 ~ +150
Junction temperature	T _j		-55 ~ +150
Dielectric strength @ Terminals to case, AC 1 minute	V _{dis}	KV	2.5
Mounting torque @Recommend torque 5kg cm	Tor	kg cm	8



$T_a=25$ Unless otherwise specified

Maximum reverse recovery time	T_{RR}	ns	$I_F=0.5A, I_R=1.0A,$ $I_{RR}=0.25A$	35
Maximum instantaneous forward voltage drop per diode	V_F	V	$I_{FM}=12.5A$	2.0
Maximum DC reverse current at rated DC blocking voltage per diode	I_R	μA	$T_j = 25$	





Dim	Min	Max
A	21.80	22.30
B	18.30	18.80
C	17.50	18.00
D	3.30	3.90
E	7.10	7.50
F	5.50	5.90
G	1.91	2.54
H	2.06	2.54
I	1.02	1.27
J	4.83	5.33
K	3.30	3.56
L	2.40	2.66
M	0.46	0.56

Dimensions in millimeters



The information presented in this document is for reference only. Yangzhou Yangjie Electronic Technology Co., Ltd. reserves the right to make changes without notice for the specification of the products displayed herein to improve reliability, function or design or otherwise.

The product listed herein is designed to be used with ordinary electronic equipment or devices, and not designed to be used with equipment or devices which require high level of reliability and the malfunction of which would directly endanger human life (such as medical instruments, transportation equipment, aerospace machinery, nuclear-reactor controllers, fuel controllers and other safety devices), Yangjie or anyone on its behalf, assumes no responsibility or liability for any damages resulting from such improper use of sale.

This publication supersedes & replaces all information previously supplied. For additional information, please visit our website [http:// www.21yangjie.com](http://www.21yangjie.com) , or consult your nearest Yangjie's sales office for further assistance.