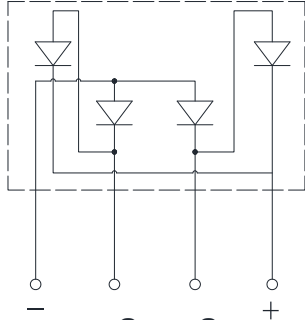
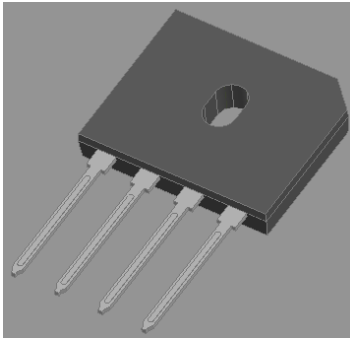




5 * % 8

RoHS
COMPLIANT

)DVW 5HFRYHU\ %ULGJH 5HFWLILH



)HDWXUHV
 " 8/ UHFRJQLVHRQ
 " *ODVV SDVVLYDWHG FKLS MXQFWLRQ
 " ,GHDO IRU SULQWHG FLUFXLW ERDUGV
 " +LJK VXUJH FXUUHQW FDSDELWLW\
 " 6ROGHU GLS y & PHUJ -(6' %

7\SLFDO \$SSOLFDFWLRQV
 *HQHUDO SXUSRVH XGJHUXQ & ZDYHWHFWLIL
 PRQLWRU 79 SULQWHU SRZHU VXSSO\ VZL
 DGDSWHU SXPHQWHDXQG K&PHVDS\$SSQDFWLR

0HFKDQLFDO 'DWD
 " 3DFNDJH%8
 0ROGLQJ FRPSRQ&QG PHHWDPPDELWLW\
 UDWLQJ 5R+6 FRPSOLDQW
 " 7HUPLQDQVSDWHG OHDGV VROGHUDEOH S
 - 67' DQG -(6' %
 " 3RODU\$VWRDUNHG RQ ERG\
 \$

VOD[LPXP 5DWDQJV 8QOHVV RWKHU\LVH VSHFLILHG

3\$5\$0(7(5	6<0%2	81,7	5*%8	.9
-------------	-------	------	------	----

'HYLFH PDUNLQJ FRGH

\$

			7M -	
7\SLFDO MXQFWLRQ	FDSDFLWDQ	FDQG \$SSO&MG	5HSJHUVH	9ROWDJH RI 9' &

6 %
5HY

\$SU

<DQJ]KRX <DQJMEH\$HOK&WORLD&R /W&ZZ \DQJMLH F



5 * % 8

v7KHUPDO &KDUDÄ7Y HUL800LFVV RWKHUŽLVH VSHFLILHG

3\$5\$0(7(5		6<0%2/	81,7	5 * % 8
7KHUPD	%HWZHHQ MXQFWLRQ	5-DQG	DPELHQW	
5HVLVWDQFH	DLWKRXX KHDWVLQN		:	

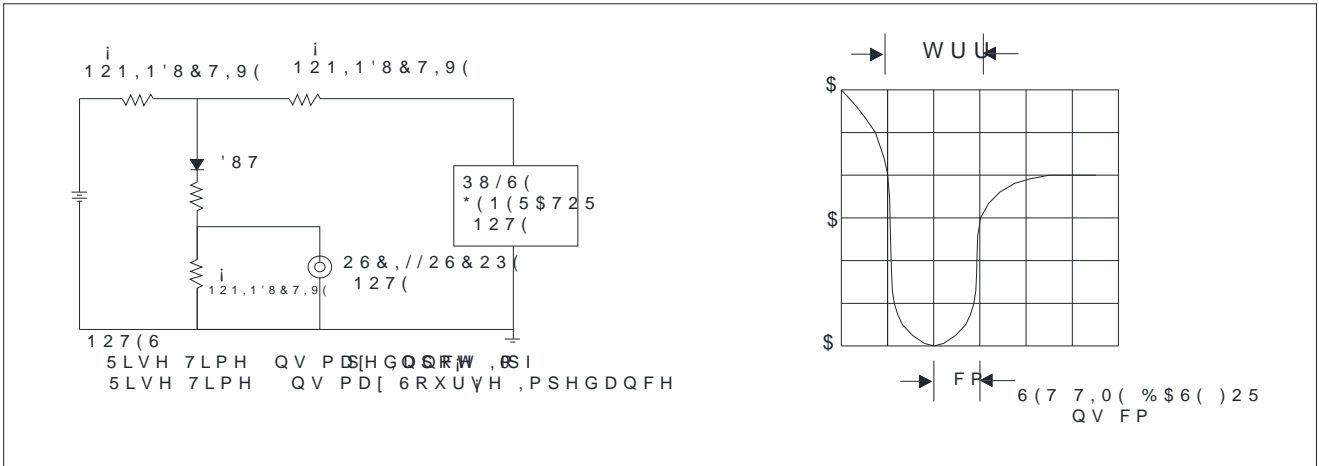
6 %
5HY

\$SU

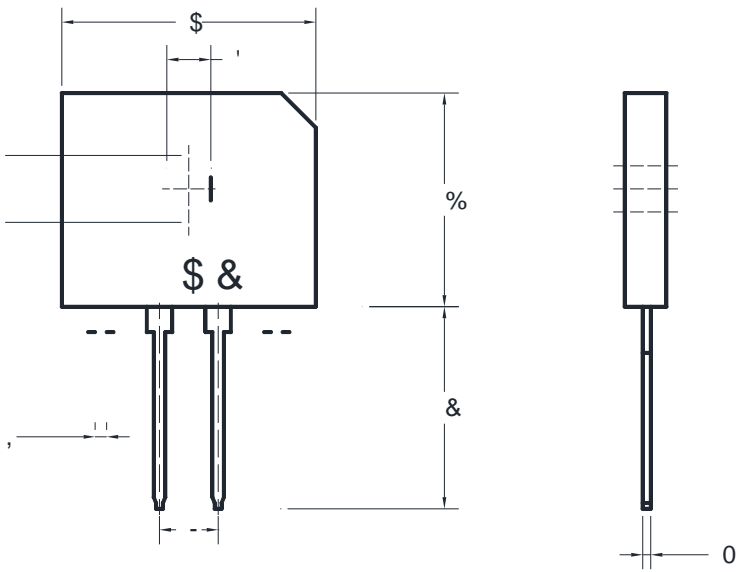
<DQJJKRX <DQJMEFH0KQWORLD&R /WZZZ \DQJMLH F



), * 'LDJUDP RI FLUFXLW DQG 7HVWLQYHZDYMLPRUP RI UHYHUVH UHFR



v 2XWOLQH 'LPHQVLRQV



* % 8		
'LP	0LQ	0D
\$		
%		
&		
'		
(
)		
*		
+		
,		
-		
.		
/		
0		

'LPHQVLRQV LQ PLOOLPHWHUV



5 * % 8

'LVFODLPHU

7KH LQIRUPDWLRQ SURGXFWLRQ LQ IRKLVKIDHJHQRH<BQJMLH (OHFWURQLF 7HFKQRO
ULJKW WR PDNH FKDLQJHVRZLWKR XWSKRLSULFDG\KFRQ/ RGLWSOD\HG KHUHLQ WURGLPVLWRY
RU RWKHUZLVH

7KH SURGXFW OLVWHG KHUHLQ LV GHVQLHQRFEHTXVLSBHZLWKRURGHLYLDFHVVWIDQG
HTXLSPHQW RU GHYLFHV ZKLFK UHTGLWKRHKEDKQXQYFHVGRGLURHOLMDELQVSDQXFKU
PHGLFDO LQVWUXPHQWVITWLSDFHVSURUWHVURVSDXFFHDFDEKWLQDFWFLD
GHYLFHV <DQJMLH RU DQIRQH RQ LWVDEWKDRI ODVEXLPHLWQRURWHDGSRQVREBJHV
RIVDOH

7KLV SXEOLFDWLRQISVXSSFHUWIDGIDVLQURQJPDVLSRQLSGHYRURXVGLWLRQDO
LQWRHUPDWLRKWWZZ \DQJMLHRRRFRQVXOW\RXU QHDUHVW <DQJMLVHMIDVFDHOHV
RILFH IRU IXUW