



( 6 ' 9 ' %

/LQH %L GLUHFWRQRDO 7UDQVLHQW 9ROV

)HDWXUHV

" 6WDQG RII YROWDJH 9 0D[  
" 7UDQVLHQW SURWHFWLRQ IRU HDFK O  
,(& (6' " N9 FRQWDFW  
,(& VXUJH \$ V  
" /RZ OHDNDJH FXUUHQW  
" 8OWUD ORZ FODPSLQJ YROWDJH  
" 5R+6 &RPSOLDQW

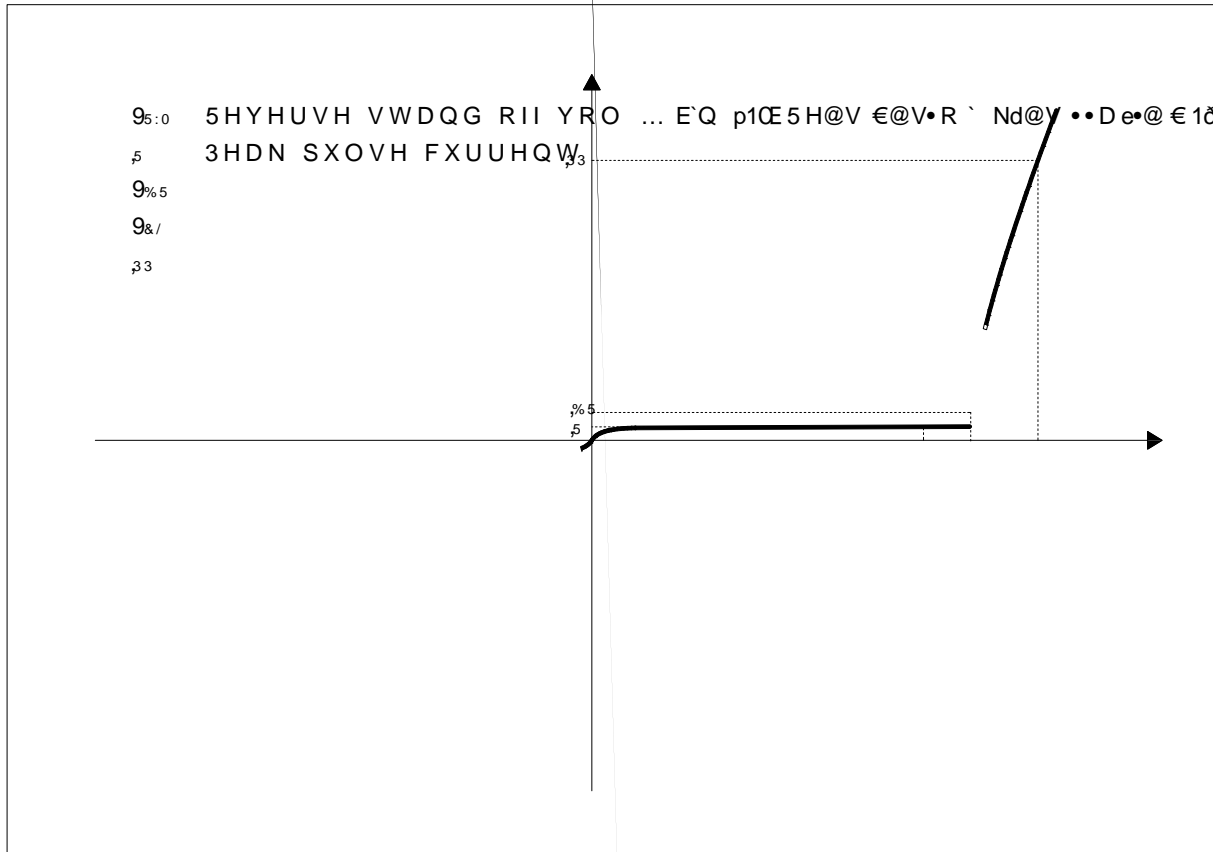
\$\$SOLFDFWRQV

" &HOOXODU +DQGVHWV DQG \$FFHVVRUL  
" 3HUVRQDO 'LJLWDO \$VVLVWDQWV  
" 1RWHERRNV DQG +DQGGKHOGV  
" 3RUWDEOH ,QVWUXPHQWDWLRQ  
" 3HULSKHUDOV  
" 3DJHUV 3HULSKHUDOV  
" 'HVNWRS DQG 6HUYHUV

0HFKDQLFDO 'DWD

" 3DFNDJH 62'  
" /HDG )LQLVK 0DWWH 7LQ  
" &DVH 0DWHULDO 3\*UHHQ' 0ROGLQJ &R  
" 0RLVWXUH 6HQVLWLYLW\ /HYHO SHU  
" 0DUNLQJ WLIROPHH %HORZ

V'HILQLWLRQV RI HOHFWULFDO FKDUDFWHULVWLFV





( 6 ' 9 ' %

---

V0D[LPXP 5DWLQJV



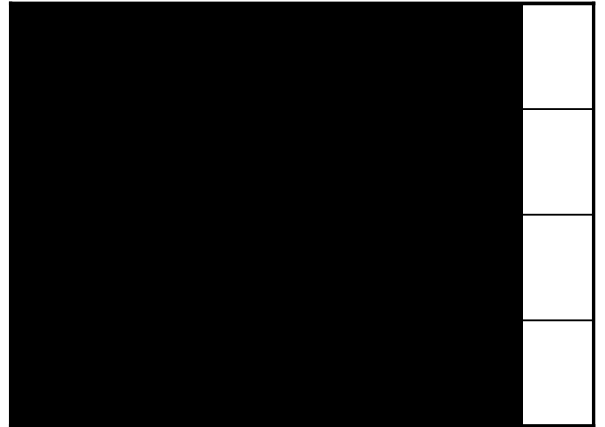
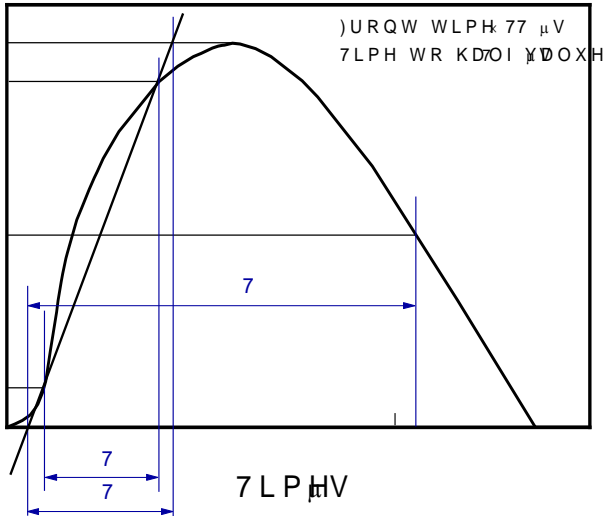


(6' 9' %

3 HDN SXOVH FXUUHQW

v & KDUDFWHULVWLFV 7\SLFDO

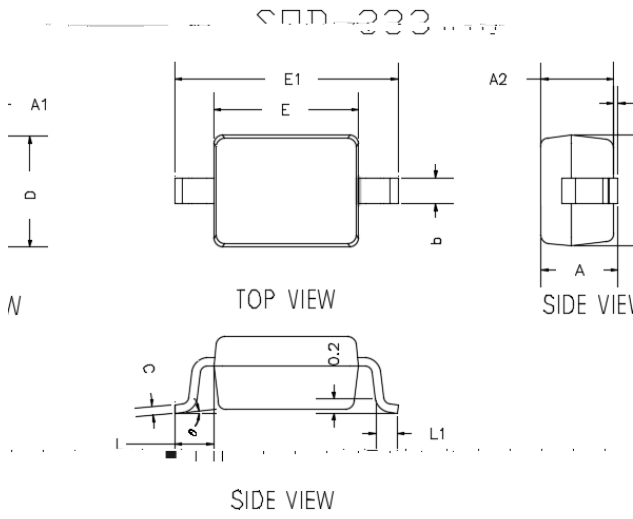
)LJ V ZDYFISHRW , (&





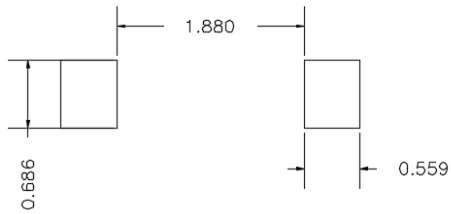
( 6 ' 9 ' %

v 2XWOLQH 'LPHQVLRQV



DIMENSIONS				
DIM	INCHES		MM	
	MIN	MAX	MIN	MAX
A	---	0.0393	---	1.0000
A1	0.0000	0.0039	0.0000	0.1000
A2	0.0314	0.0354	0.8000	0.9000
b	0.0098	0.0157	0.2500	0.4000
D	0.0472	0.0551	1.2000	1.4000
E1	0.0984	0.1063	2.5000	2.7000
E	0.0187 TYP		0.475 TYP	
L1	0.0098	0.0157	0.250	0.400
θ	0°	8°	0°	8°

v 6ROGHULQJ )RRWSULQW



UNIT: mm

SUGGESTED SOLDER PAD LAYOUT



( 6 ' 9 ' %

---

'LVFODLPHU

7KH LQIRUPDWLRQ SGRV ~~DMQHG~~ LQ IR ~~W~~ ~~DI~~ ~~H~~ ~~J~~ ~~K~~ ~~R~~ ~~H~~ ~~B~~ ~~Q~~ ~~Q~~ ~~M~~ ~~L~~ ~~H~~ (OHFWURQLF 7HHKQRO  
ULJKW WR PDNH FKDLQ ~~F~~ ~~H~~ ~~V~~ ~~R~~ ~~Z~~ ~~L~~ ~~W~~ ~~K~~ ~~R~~ ~~X~~ ~~V~~ ~~S~~ ~~O~~ ~~R~~ ~~L~~ ~~S~~ ~~I~~ ~~R~~ ~~D~~ ~~G~~ ~~X~~ ~~I~~ ~~R~~ ~~V~~ / ~~G~~ ~~L~~ ~~W~~ ~~S~~ ~~O~~ ~~D~~ ~~\~~ ~~H~~ ~~G~~ ~~K~~ ~~H~~ ~~U~~ ~~H~~ ~~L~~ ~~Q~~ ~~W~~ ~~R~~ ~~G~~ ~~H~~ ~~P~~ ~~S~~ ~~L~~ ~~W~~ ~~R~~ ~~Y~~  
RU RWKHUZLVH