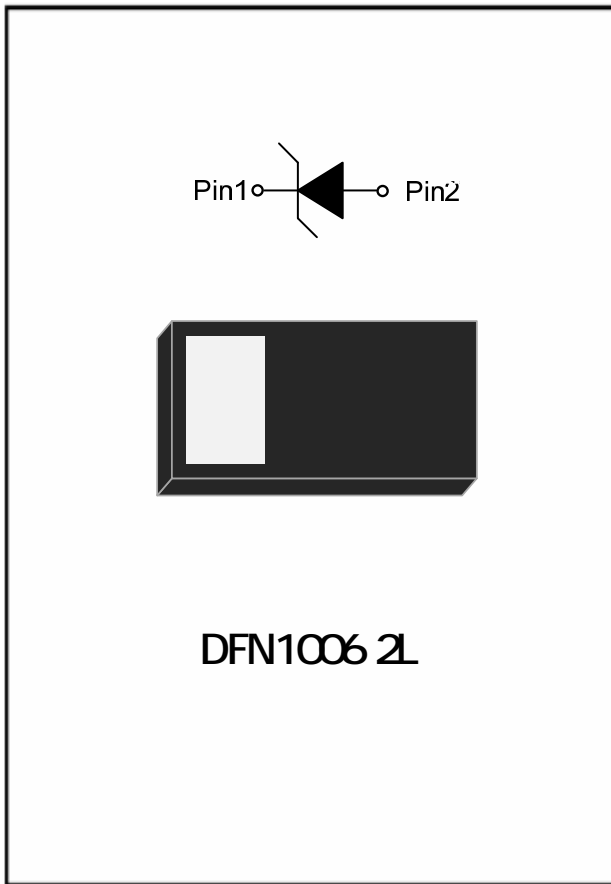


## 1-Line, Uni-directional , Transient Voltage Suppressor



### Features

- Stand-off voltage: 4.85V Max
- Transient protection for each line according to IEC61000-4-2(ESD):  $\pm 30\text{kV}$  (contact)
- IEC61000-4-4 (EFT): 80A (5/50ns)
- IEC61000-4-5(surge): 78A (8/20 $\mu\text{s}$ )
- Low leakage current
- Ultra-low capacitance:  $C_J = 190\text{pF}$  typ
- Low clamping voltage:  
 $V_{CL} = 5.8\text{V}$  typ. @  $I_{PP} = 16\text{A}$  (TLP)
- RoHS Compliant

### Applications

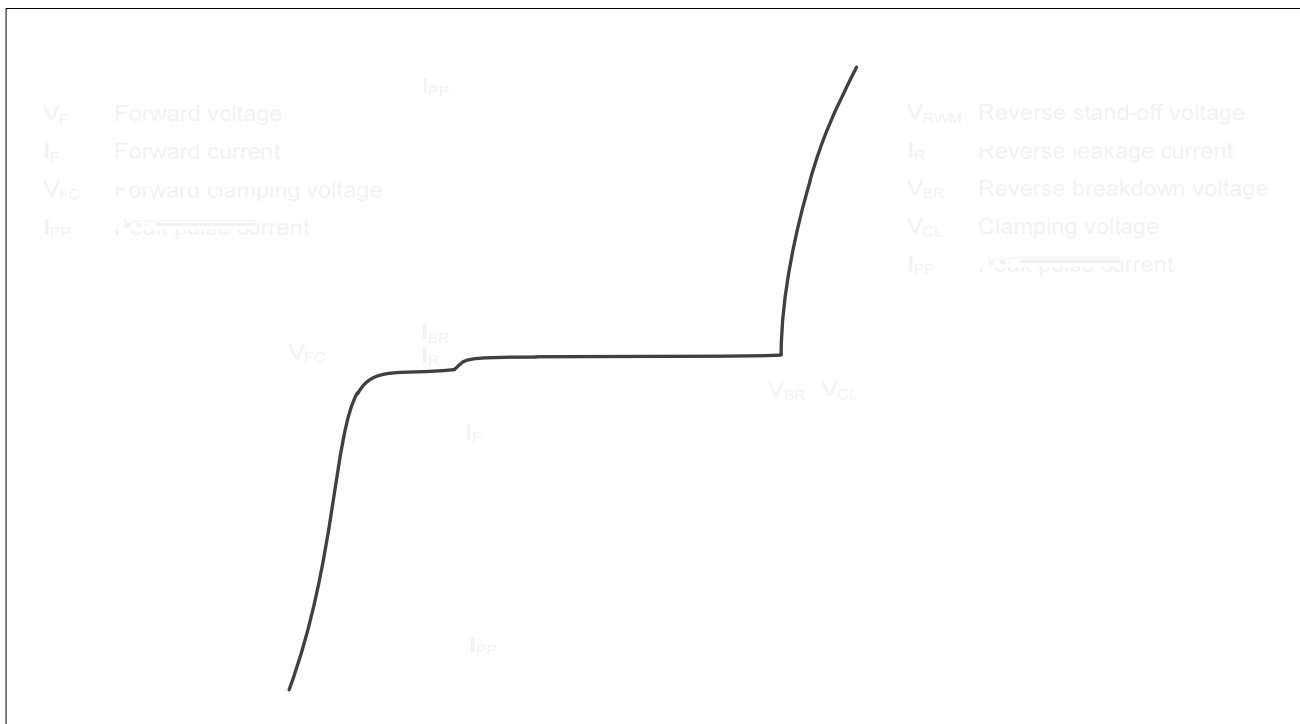
- Power supply protection
- Power management

### Mechanical Data

- Package: DFN1006-2L
- Case Material: "Green" Molding Compound
- Moisture Sensitivity: Level 3 per J-STD-020
- Marking Information: See Below



### Definitions of electrical characteristics





# ESD4V5LA

## Maximum Ratings

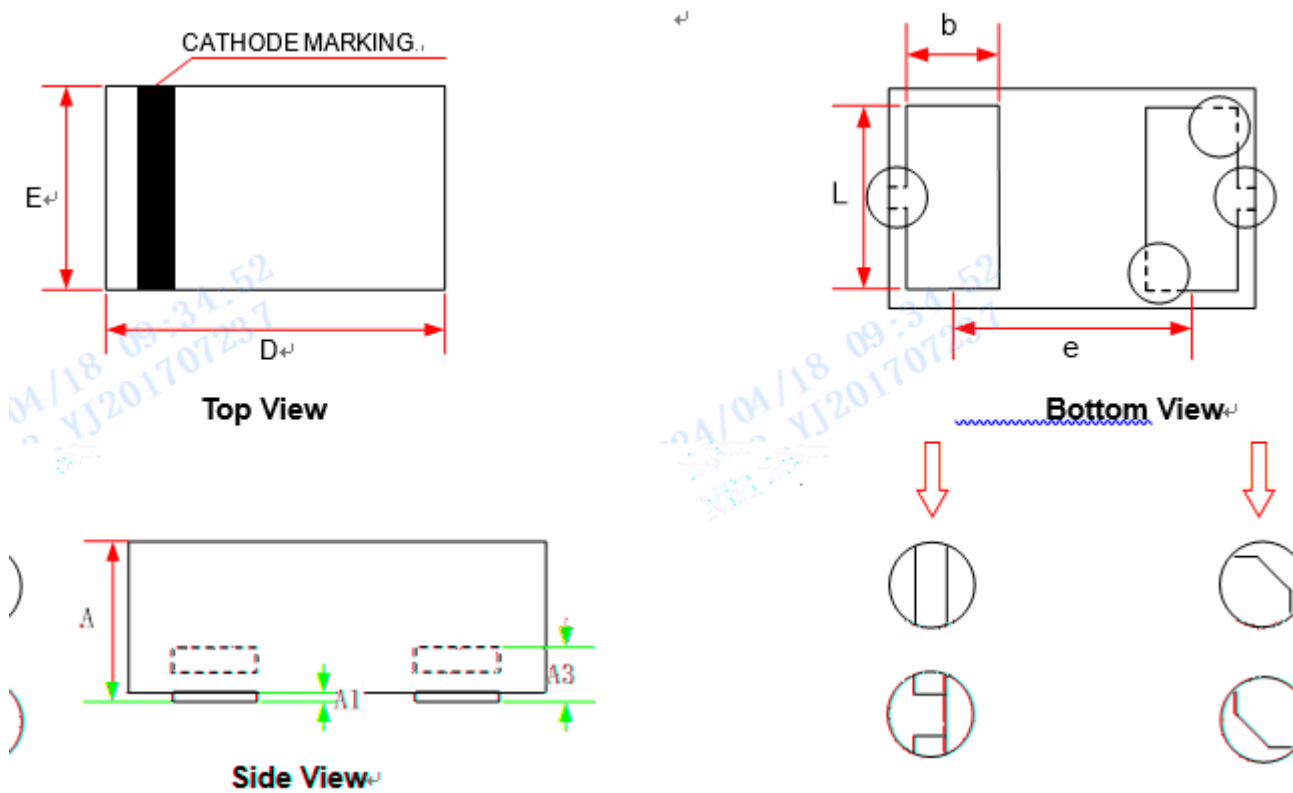
PARAMETER	SYMBOL	LIMITS	UNIT
Peak pulse power ( $t_p = 8/20\mu s$ )	$P_{pk}$	860	W
Peak pulse current ( $t_p = 8/20\mu s$ )	$I_{pp}$	78	A
ESD according to IEC61000-4-2 air discharge	$V_{ESD}$	$\pm 30$	kV
ESD according to IEC61000-4-2 contact discharge		$\pm 30$	
Junction temperature	$T_J$	-45~125	$^{\circ}C$
Storage temperature	$T_{STG}$		

**ESD4V5LA**

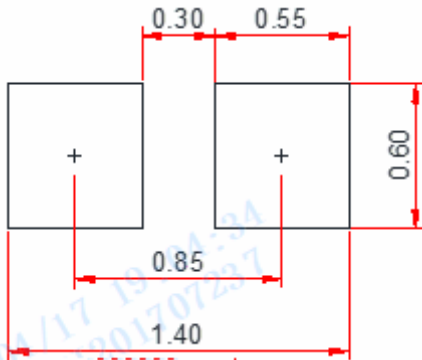
---



## Outline Dimensions



## Recommended PCB Layout



### Notes:

This recommended land pattern is for reference purposes only. Please consult your manufacturing group to ensure your PCB design guidelines are met



## Disclaimer

The information presented in this document is for reference only.

本文件仅供参考，不作为法律依据。