



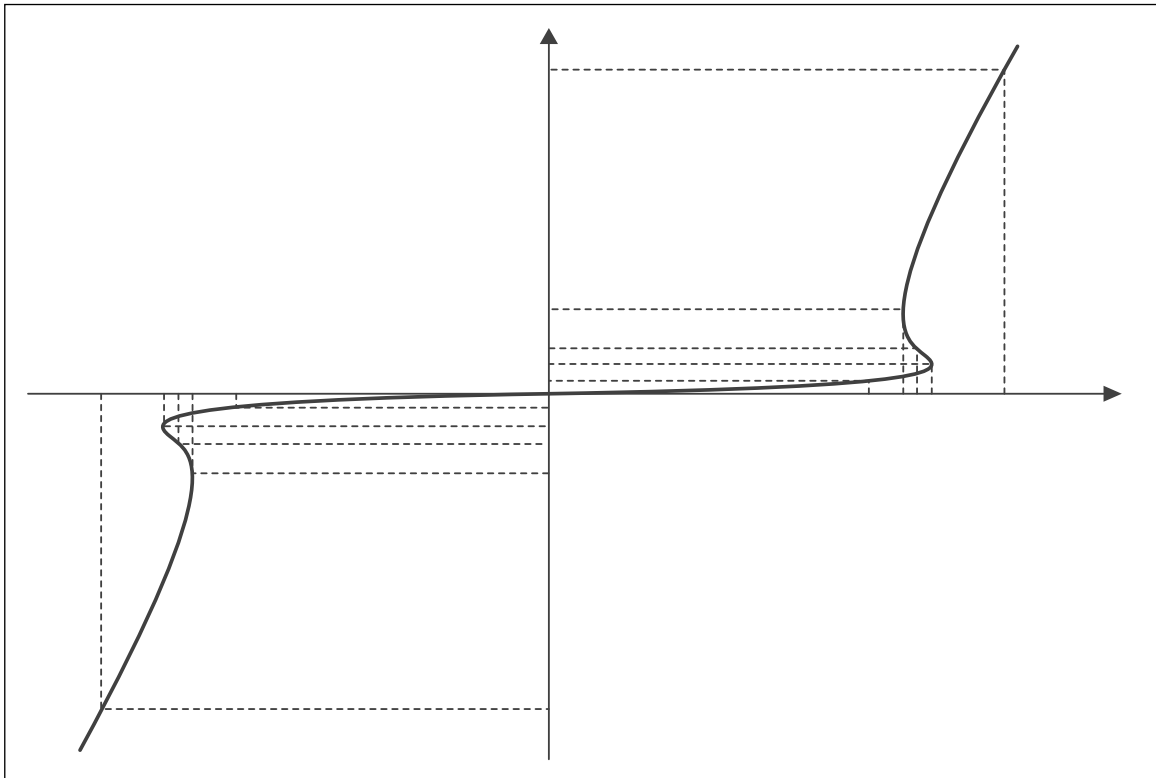
&Eíìòrî>

)HDWXUHV
 " 6WDQG RII YROWDJH 9 0D[
 " 7UDQVLHQW SURWHFWLRQ IRU HDFK O
 ,(& (6' " N9 FRQWDFW
 ,(& VXUJH \$ V
 " /RZ OHDNDJH FXUUHQW
 " /RZ FODPSLQJ YROWDJH
 "/RZ FODPSLQJ YROWDJH
 " 5R+6 &RPSOLDQW

\$SSOLFDWLRQV
 " &HOOXODU +DQGVHWV DQG \$FFHVVRUL
 " 3HUVRQDO 'LJLWDO \$VVLVWDQWV
 " 1RWHRRNV DQG +DQGGKHOGV
 " 3RUWDEOH ,QVWUXPHQWDWLRQ
 " 'LJLWDO &DPHUDV
 " 3HULSKHUDOV
 " .H\SDGV 6LGH .H\V /&' 'LVSOD\

0HFKDQLFDO 'DWD
 " 3DFNDJH '1 /
 " &DVH 0DWHULDO 3*UHHQ' 0ROGLQJ &R
 " 0DUNLQJ WLIROPHH %HORZ

V'HILQLWLRQV RI HOHFWULFDO FKDUDFWHULVWLFV



(6 ' 9 / % \$

V0D[LPXP 5DWLQJV

3\$5\$0(7(5

(6 ' 9 / % \$

v & KDUDFWHULVWLFV 7 \ SLFDO



(6 ' 9 / % \$

v 2XWOLQH 'LPHQVLRQV

6 < 0 % 2 /	0 , // , 0 (7 (5		
	0 , 1	1 2 0	0 \$;
'			
(
\$			
\$	% 6 &		
\$			
)			
*			
/			
E			
H	% 6 &		

v 5HFRPPHQQGHG 3 & % / D \ R X W

hvjšWuu

1RWHV
 7KLV UHFRPPHQQGHG ODQG SDWWHUQ LV IRU
 3OHDVH FRQVXOW URXU PDQSDWRXHQVXUH \
 GHJQLXLGHOLQHV DUH PH

R±KQ
(6' 9 /% \$

'LVFODLPHU

7KH LQIRUPDWLRQ SGRV ~~MDM~~ ~~QHG~~ LQ IR ~~KL~~ ~~DI~~ ~~HJ~~ ~~KQ~~ ~~KH~~ ~~BQ~~ ~~MLH~~ (OHFWURQLF 7HFKQRO
ULJKW WR PDNH FKDL ~~FJH~~ ~~VR~~ ~~ZL~~ ~~WK~~ ~~R~~ ~~X~~ ~~S~~ ~~K~~ ~~R~~ ~~L~~ ~~S~~ ~~U~~ ~~R~~ ~~D~~ ~~G~~ ~~X~~ ~~I~~ ~~R~~ ~~V~~ ~~Q~~ ~~R~~ ~~G~~ ~~L~~ ~~W~~ ~~S~~ ~~O~~ ~~D~~ ~~H~~ ~~G~~ ~~K~~ ~~H~~ ~~U~~ ~~H~~ ~~L~~ ~~Q~~ ~~W~~ ~~R~~ ~~G~~ ~~H~~ ~~P~~ ~~S~~ ~~L~~ ~~U~~ ~~R~~ ~~Y~~
RU RWKHUZLVH

7KH SURGXFW OLVWHG KHUHLQ LV GH ~~Q~~ ~~H~~ ~~E~~ ~~W~~ ~~G~~ ~~R~~ ~~V~~ ~~R~~ ~~F~~ ~~E~~ ~~H~~ ~~T~~ ~~X~~ ~~L~~ ~~S~~ ~~P~~ ~~H~~ ~~Q~~ ~~W~~ ~~H~~ ~~Z~~ ~~L~~ ~~W~~ ~~K~~ ~~R~~ ~~U~~ ~~G~~ ~~H~~ ~~L~~ ~~Y~~ ~~Q~~ ~~D~~ ~~H~~ ~~W~~ ~~W~~ ~~D~~ ~~Q~~ ~~G~~
HTXLSPHQW