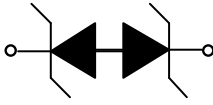


/LQH %L GLUHFWRQDO 7UDQVLHQW 9

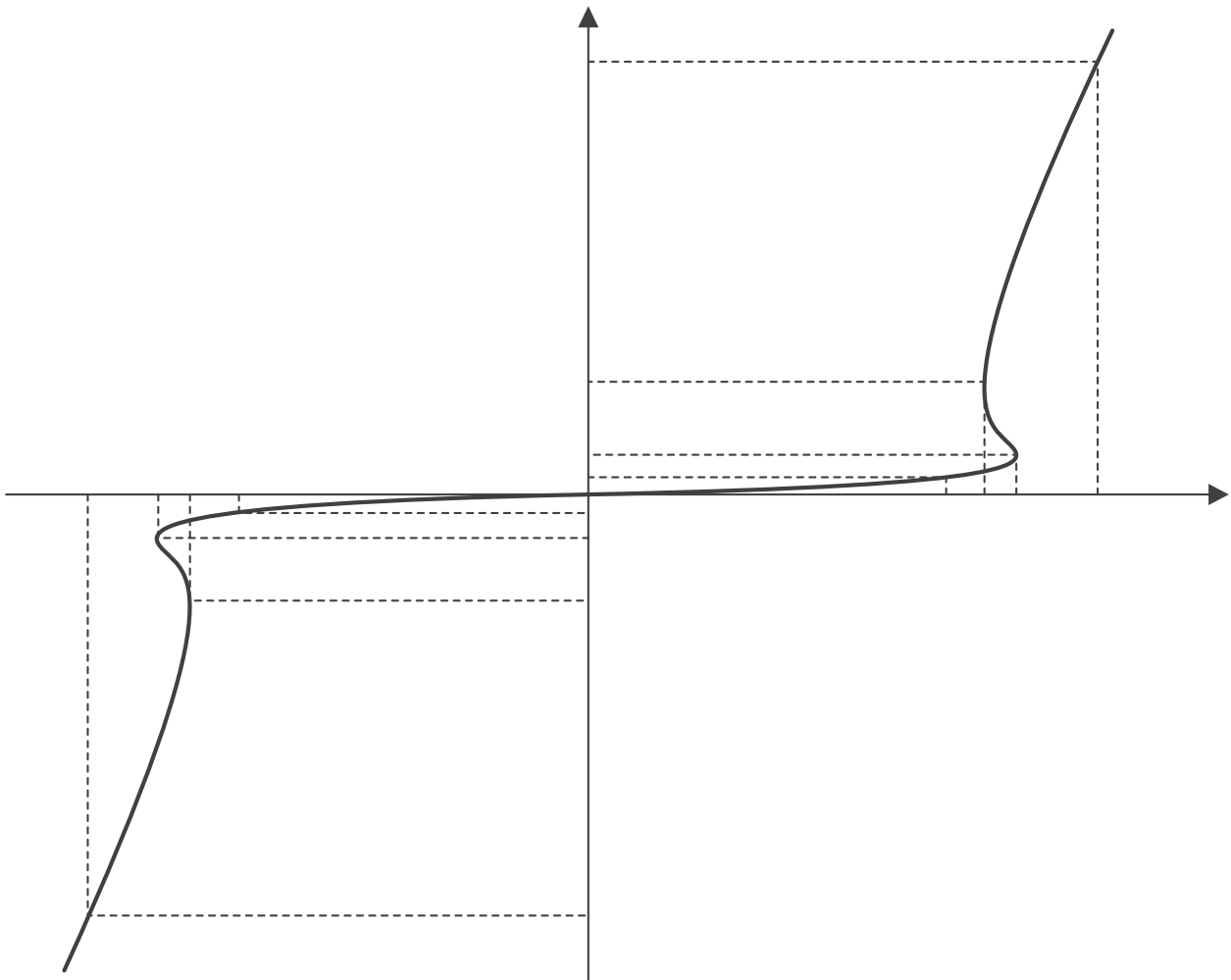


)HDWXUHV
 " 6WDQG RII YROWDJH " 9 0D[
 "7UDQVLHQW SURWHFWLRQ IRU HDFK OLQH DF
 ,(& (6' " N9 FRQWDFW
 ,(& ()7 \$ QV
 ,(& VXUJH \$ V
 "8OWUD ORZ FDSDFSWDQFH &
 "/RZ OHDNDJH FXUUHQW
 "/RZ FODPSLQJ &YROWDJH_{3#9} , \$
 7/3
 "6ROLG W\LFHQ WHFKQRORJ\

0HFKDQLFDO 'DWD
 " 3DFNDJH
 " 7HUPLQDQVSODWHG OHDGV VROGHUDEOH S
 - 67' DQG -(6' %
 " 3RODUWRDUNLQJ RQ EL GLUHFWRQDO W\SH
 " 0DUNLQJ



V'HILQLWLRQV RI HOHFWULFDO FKDUDFWHULVWLFV



(6 ' 9 ' % 6

V0D[LPXP 5DWLQJV

3\$5\$0(7(5	6<0%2/	5DWLQJ	81,7
3HDN SXOVH ₅ SRZHU W	3 _{SN}		:
3HDN SXOVH _S FXUUHQW W	.33		
(6' DFFRUGLQJ WR ,(& DLU GLVFKDUJH	9(6'	"	.9
(6' DFFRUGLQJ WR ,(& FRQWDFW GLVFKDUJH		"	.9
-XQFWLRQ WHPSHUDWXUH	7.		R&
2SHUDWLQJ WHPSHUDWXUH	7 ₂₃	a	R&
6WRUDJH WHPSHUDWXUH	67*	7 a	R&

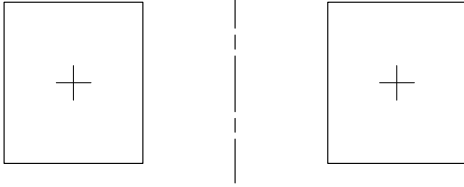
v(OHFWULFDO &K&VDFW&QD&W&FR&WKHU&LVH VSHFLILHG

3\$5\$0(7(5	6\PERO	81,7	&RQGLWLRQV	0LQ	7\S	0D[
5HYHUVH PD[LPXP ZRUNLQJ YROWD ₅ JH		9	9			"
5HYHUVH OHDNDJH FXUUHQW	5	Q\$, 5 ₉ 9			
5HYHUVH EUHDNGRZQ YROWDJH	9%5	9	%5 P\$			
5HYHUVH KROGLQJ YROWDJH	+2/'	9	9 +2/'	P\$		
&ODPSLQJ ¹ YROWDJH	9&/	9	3.3 \$ _S W QV			
'\QDPLF UHV ¹ LVWDQFH	5'<1					
&ODPSLQJ ² YROWDJH	9&/	9	9' N9			
&ODPSLQJ ³ YROWDJH	9&/	9	3.3 \$ _S W V			
		9	3.3 \$ _S W V			
-XQFWLRQ FDSDFLWDQFH	&	S)	9 9 I 0+]			
		S)	9 9 I 0+]			

sW QV WQV DYHUDJLQJ ZLQGRZ IURPV FODWRD W MG5IURP \$ W &RQWDFW GLVLQ7@`p0pA`

(6 ' 9 ' % 6

v 5 H F R P P H Q G O D Q G S D W W P I U Q



1 R W H V

7 K L V U H F R P P H Q G H G O D Q G S D W W H U Q L V H P U H J H F H Q V H C F M S R X U S P D Q X I D Q W X U 1 Q J J U
G H V L J Q J X L G H O L Q H V D U H P H W

(6 ' 9 ' % 6

'LVFODLPHU

7KH LQIRUPDWLRQ SGRFNDMWHG LQ IRKILWIDHJHQRK-BQJMLH (OHFWURQLF 7HFHQRO
ULJKW WR PDNH FKDLFHVRZLWKR XWSKRLSULFDGXIFRQ/ RGLWSOD\HG KHUHLQ WURGLFSLWRQ
RU RWKHUZLVH

7KH SURGXFW OLVWHG KHUHLQ LV GHVQLHGWGRFEHTXLVLSGHZLWKRUR LGHLYLDFHVVWIDQG
HTXLSPHQW RU GHYLFHV ZKLFK UHTGLW KHKPDIOXHQFHVGRGLURHOLMDLQIRVGDQFHU
PHGLFDO LQVWUXPHRQVHTWLSDFHGRU UHWHURV SODFHDFDEKULQDFWRLOFRQVWURGHU
GHYLFHV <DQJMLH RU DQ\RQH RQ LWV\OE\WKDQJ ODLVEXLPHLWQRURWHDGRQDYEJHVHUV
RIVDOH

7KLV SXEOLFDWLRQSVXDFHUVHGHVQLQURQPDVXLSRQLSGHYRURXVGLWLRQDO LQWRHUPDWLR
KWVZZ \DQJMLHRFRPRQVXOW\RXU QHDUHVW <DQJMLVHM\QVDFH OHV RILFH IRU IXUW