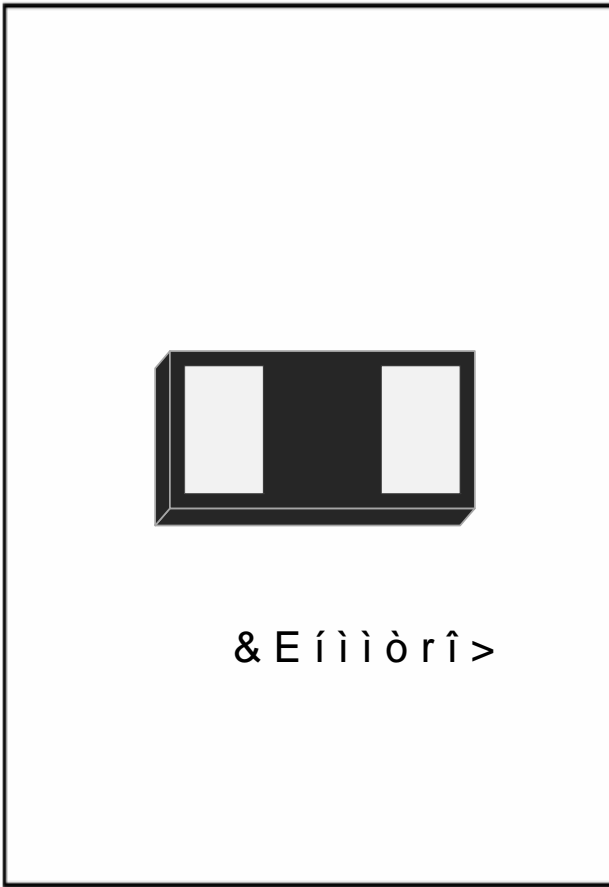


1-Line, Uni-directional, Transient Voltage Suppressor



Features

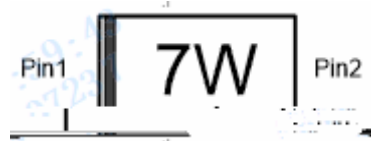
- " 6WDQG RII YROWDJH 9 0D[
- " 7UDQVLHQW SURWHFWLRQ IRU HDFK O
- ,(& (6' " N9 FRQWDFW
- ,(& ()7 \$ QV
- ,(& VXUJH \$ V
- " /RZ OHDNDJH FXUUHQW
- " 8OWUD ORZ FDSDFLWDQFH &- S) W
- " /RZ FODPSLQJ YROWDJH
- 9&/ 9 W\S # ,33 \$ 7/3
- " 5R+6 &RPSOLDQW

Applications

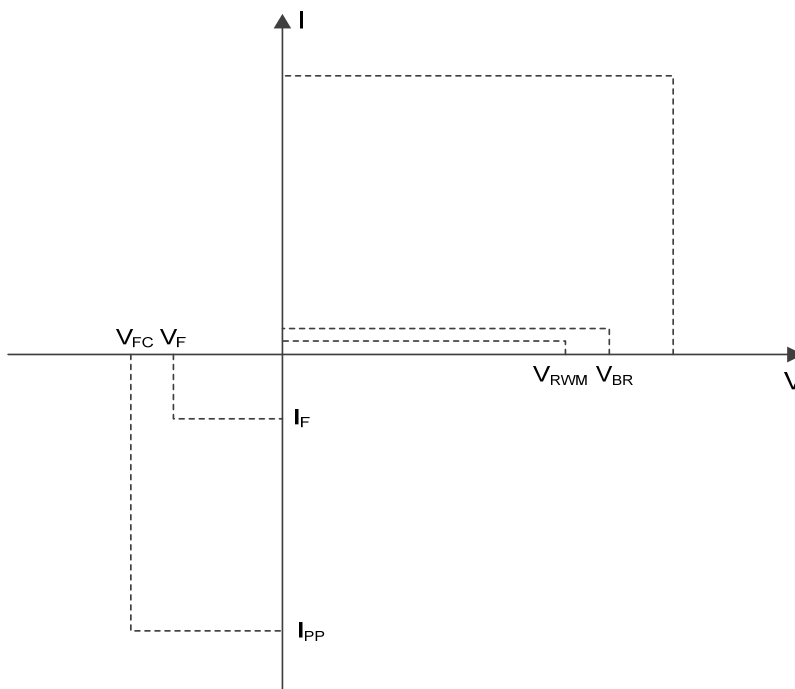
- " 3RZHU VXSSO\ SURWHFWLRQ
- " 3RZHU PDQDJHPHQW

Mechanical Data

- " 3DFNDJH ')1 /
- " &DVH 0DWHULDO 3*UHHQ' 0ROGLQJ &R
- " 0RLVWXUH 6HQVLWLYLW\ /HYHO SHU
- " 0DUNLQJ WQLRQ PØHH %HORZ



Definitions of electrical characteristics

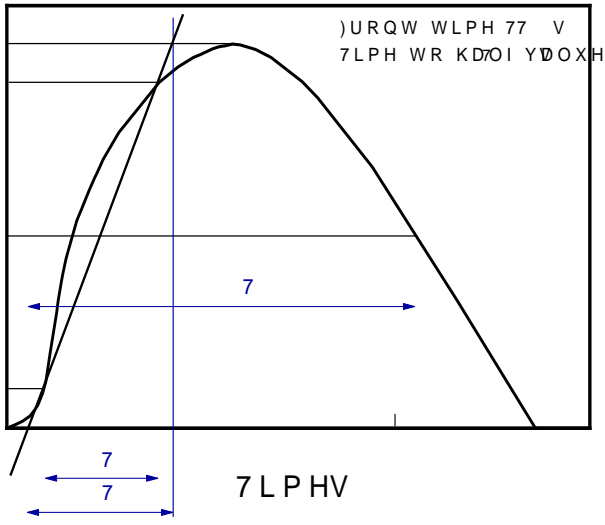




3 HDN SXOVH FXUUHQW

vCharacteristics (Typical)

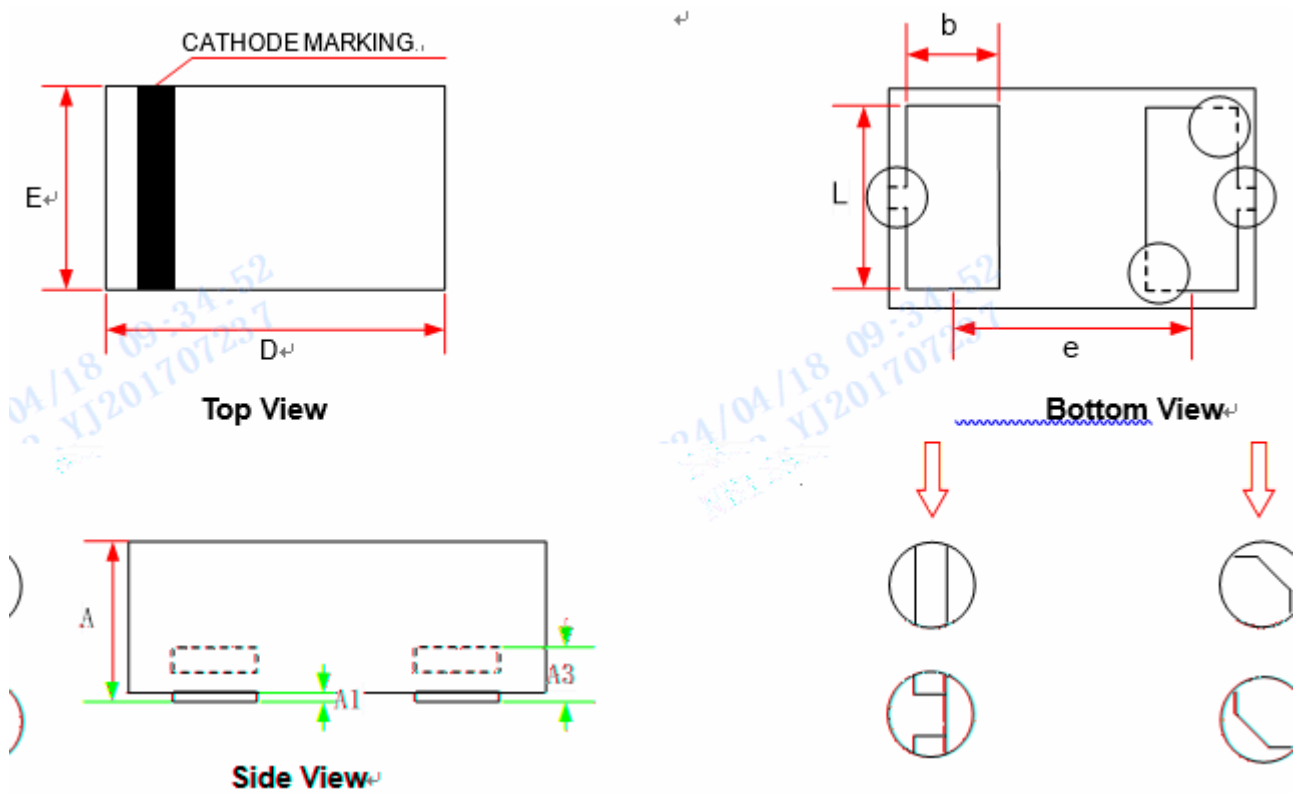
Fig.1 8/20μs waveform per IEC61000-4-5





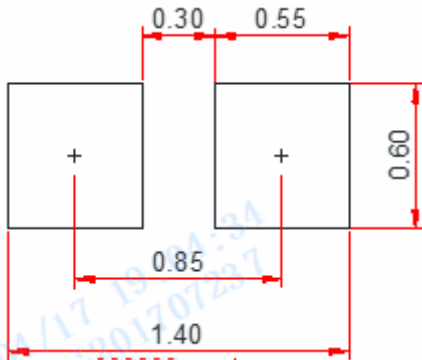
ESD7V0LA1

v Outline Dimensions



^Ç u }o]u v•]}v•]v D]oo]u š Œ•		
	D]vX	dÇ%oX	D Æ X
	ìXíðì	ìXðñ	ìXñì
í	ìXíìì	ìXíîì	ìXîñì
ï	ìXíîñ Z (X		
	ìXðñì	ìXìì	ìXìðì
	ìXññì	ìXòìì	ìXòðì
	ìXîìì	ìXîñì	ìXîìì
>	ìXðñì	ìXñìì	ìXññì
	ìXòñì ^		

Recommended PCB Layout



hv]šWuu

1RWHV
 7KLV UHFRPPHQGHG ODQG SDWWHUQ LV IRU UHI
 3OHDVH FRQVXOW URDU PDRXSDFWV XHQVXUH \RXU
 GHJOLGHOHQV DUH PH



Disclaimer

7KH LQIRUPDWLRQ SGRV#QMQ# LQ IR#LVH#IHUHQFH RQO