





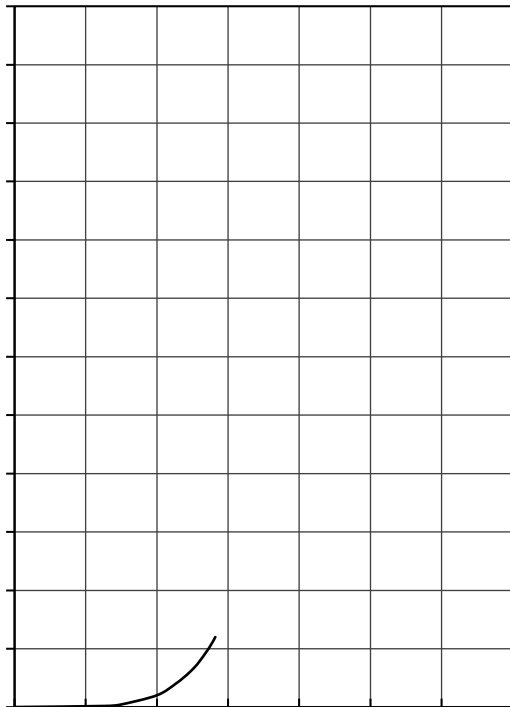
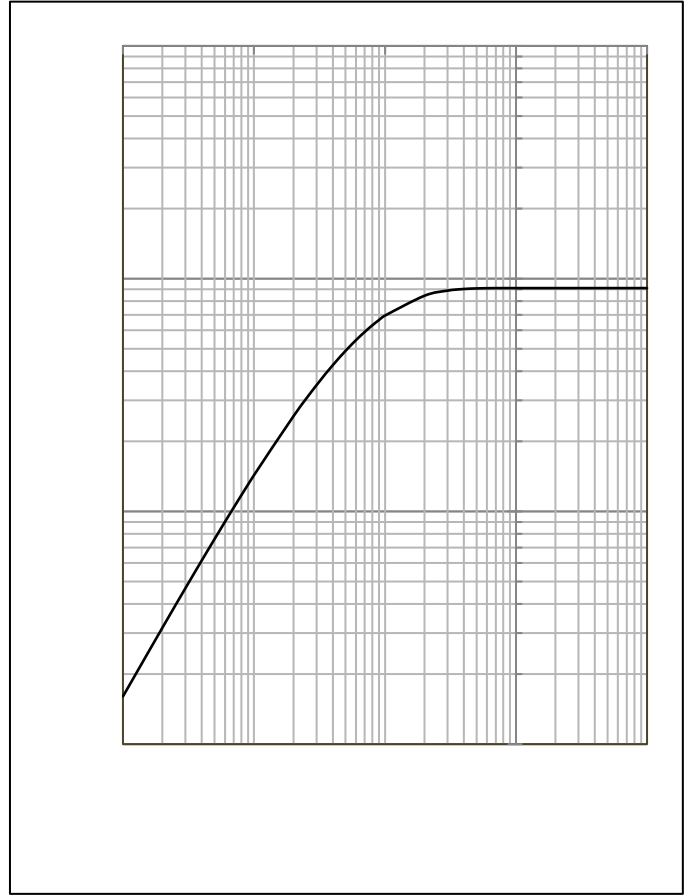
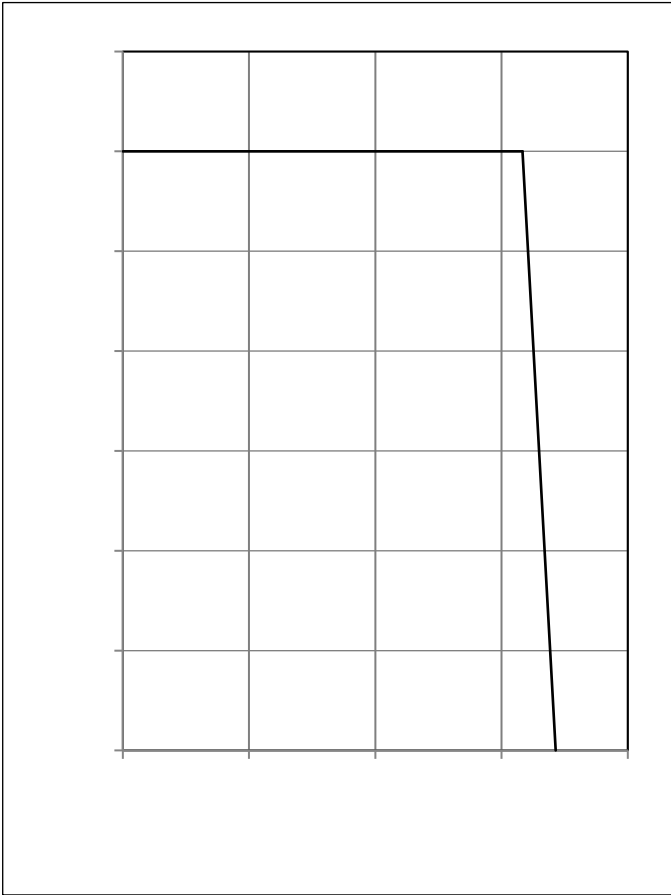
Repetitive Peak Reverse Voltage	$V_{RRM}$	$T_{vj}=25$	1200	V

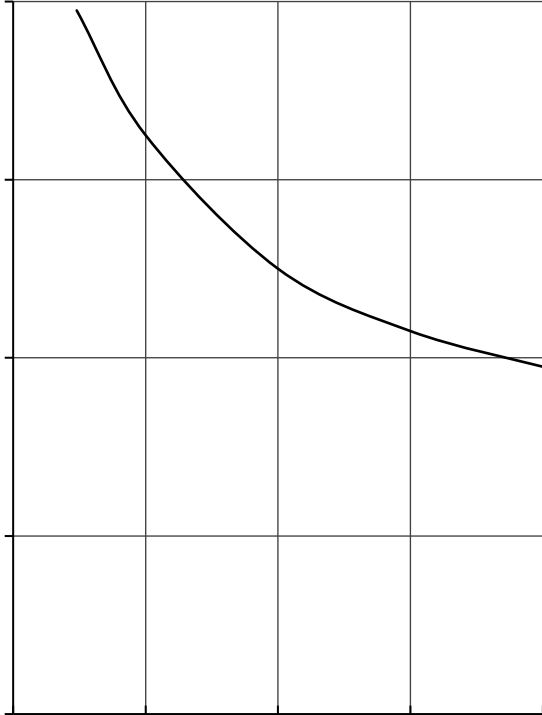


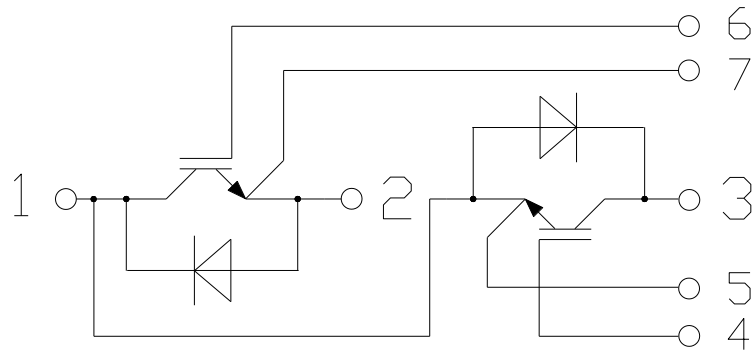


**RoHS**  
COMPLIANT

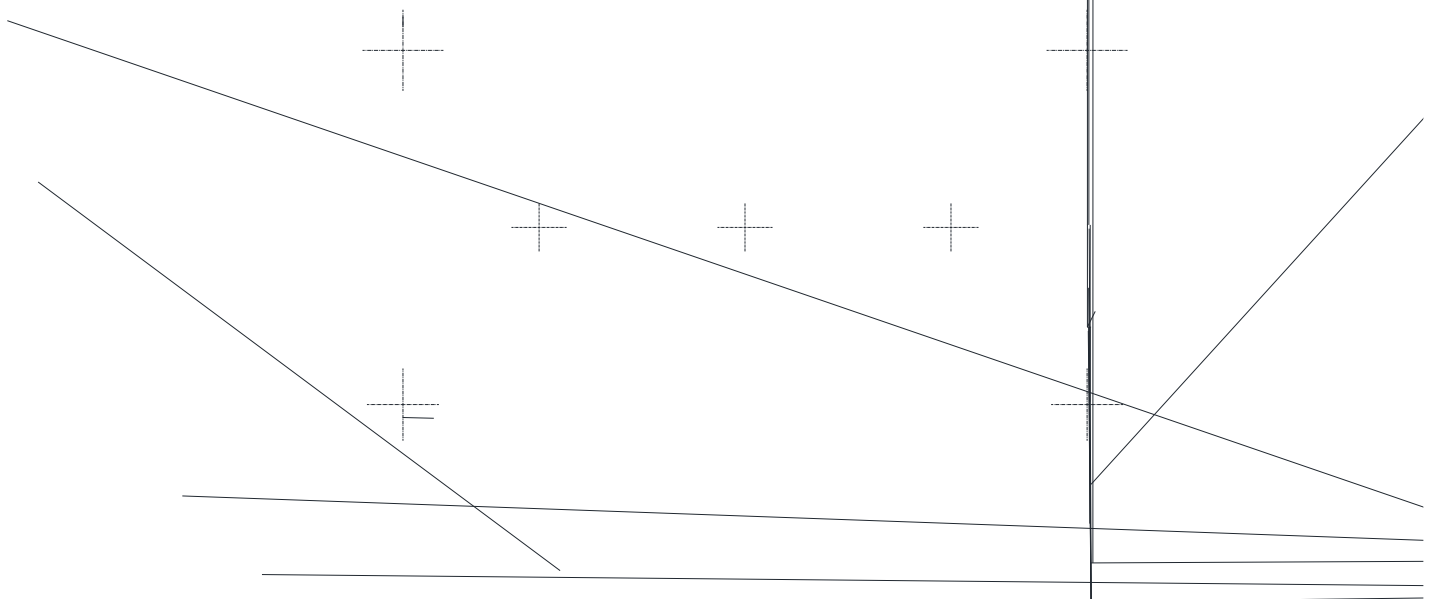
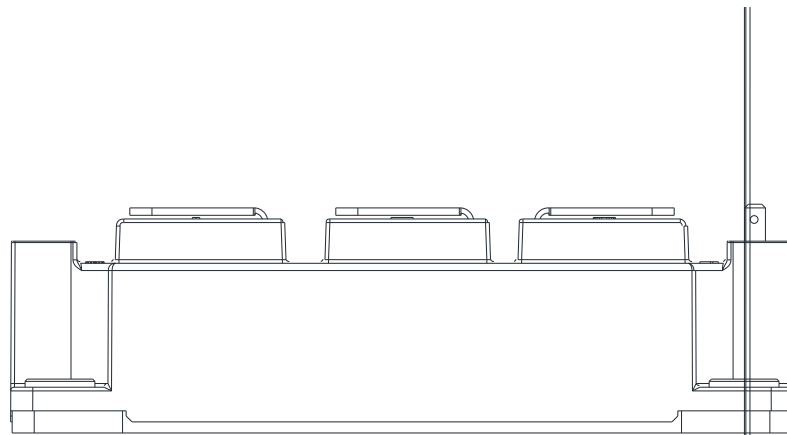
---







### Package Outline Information





**RoHS**  
COMPLIANT

---