



Maximum Ratings

| Symbol | Conditions | Values | Units |
|-------------|--|--------|-------|
| V_R | | 100 | V |
| $I_{F(AV)}$ | $T_C=125^{\circ}\text{C}$, Per Diode | 200 | A |
| | $T_C=125^{\circ}\text{C}$, Per Module | 400 | A |
| I_{FSM} | 1/2 Cycle , 60Hz, Sine | 3000 | A |
| | | | |
| Torque | Recommended M6 | 3 4.7 | N·m |
| Weight | | 92 | g |

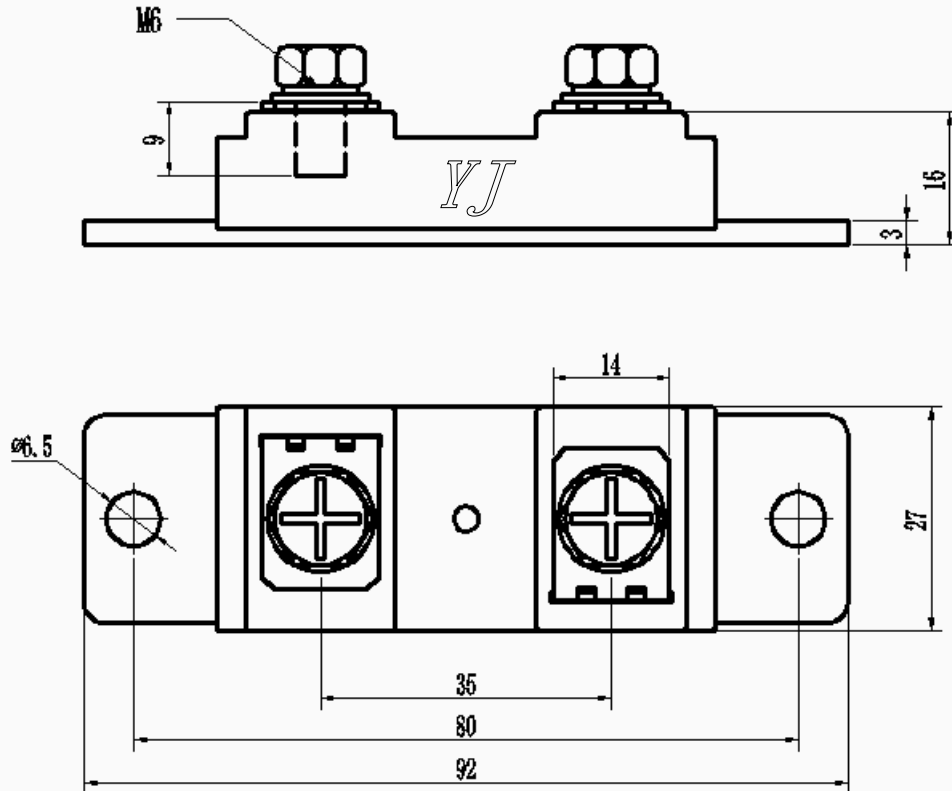
Thermal Characteristics

| Symbol | |
|--------|--|
|--------|--|



Package Outline Information

CASE: F3



Dimensions in mm