



Maximum Ratings

Symbol	Conditions	Values	Units
V_R		200	V
$I_{F(AV)}$	$T_C=125^{\circ}\text{C}$, Per Leg	200	A
	$T_C=125^{\circ}\text{C}$, Per Module	400	A
I_{FSM}	1/2 Cycle , 60Hz, Sine	3000	A
I^2t	$T_J=45^{\circ}\text{C}$, $t=8.3\text{ms}$, 60Hz, Sine	45000	A^2s
T_J		-40 to +175	$^{\circ}\text{C}$
T_{STG}		-40 to +175	$^{\circ}\text{C}$
Torque	Recommended M6	4.5	N·m
Torque	Recommended M6	4.5	N·m
Weight		92	g

Performance Curves

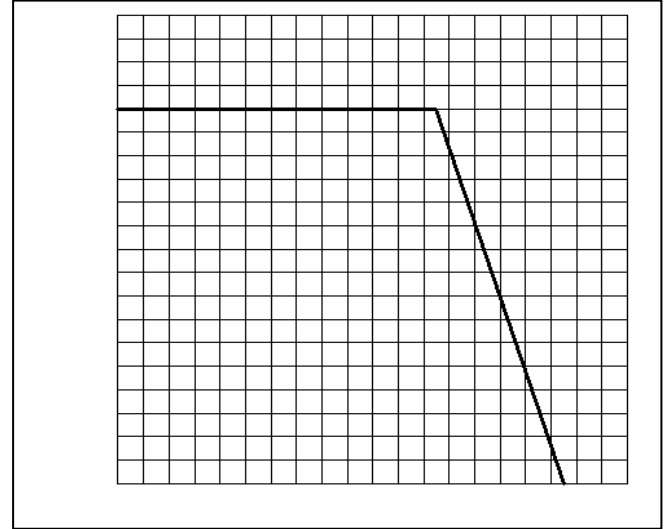
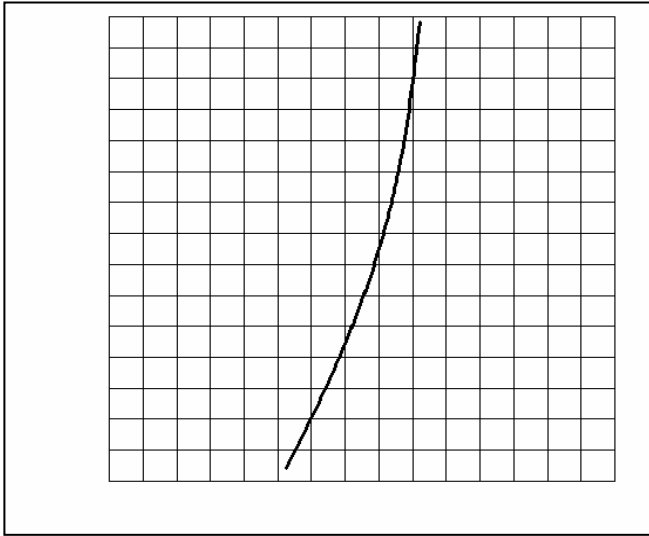


Fig1.

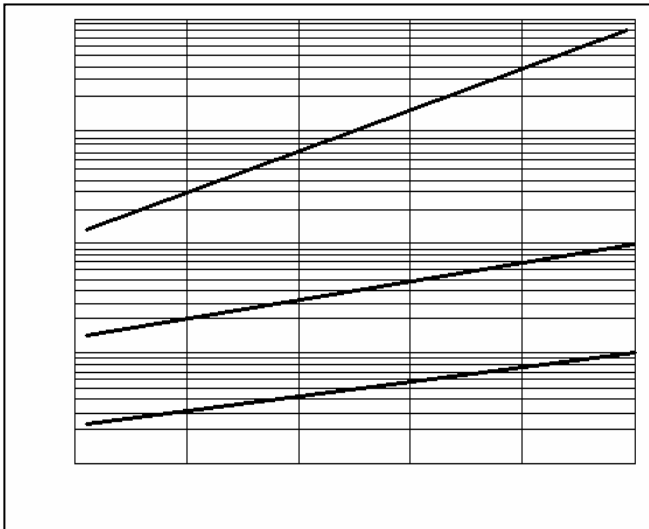
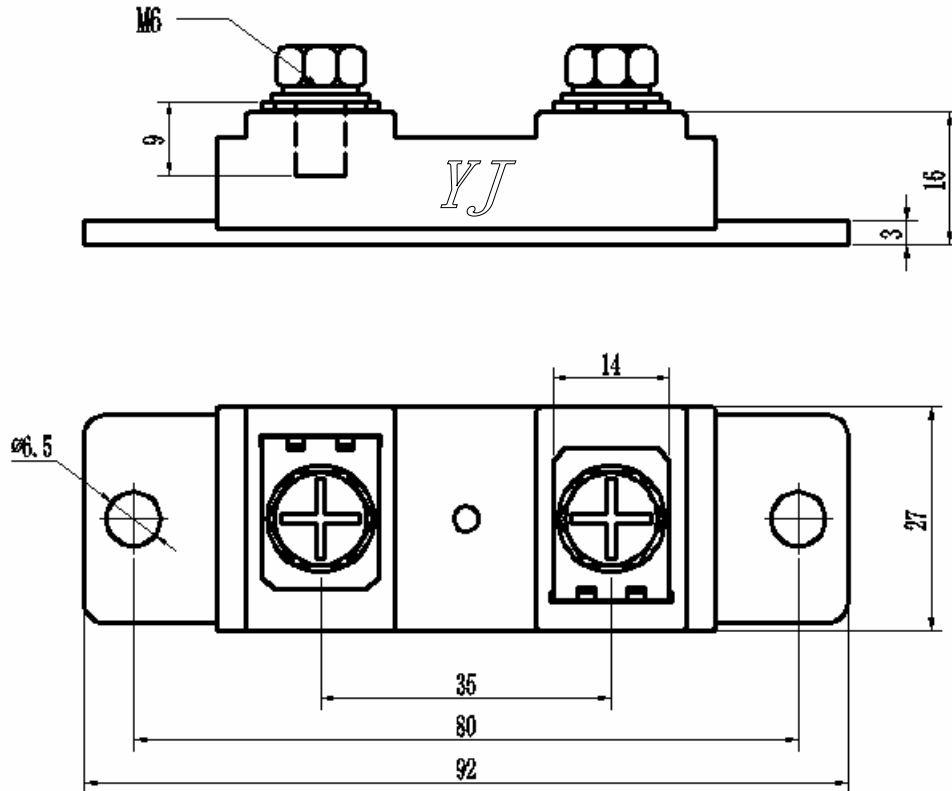


Fig3. Typical Reverse Current

Package Outline Information

CASE: F3



Dimensions in mm