

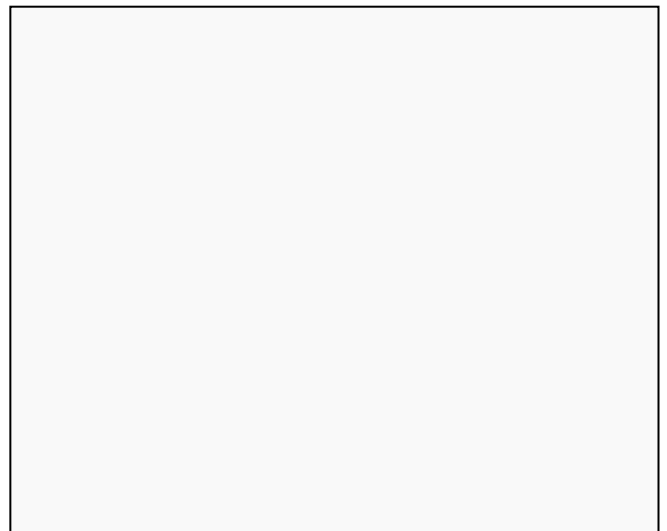
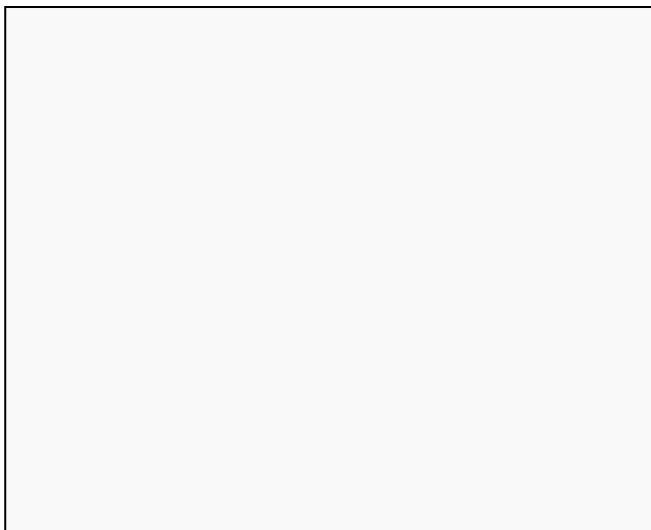
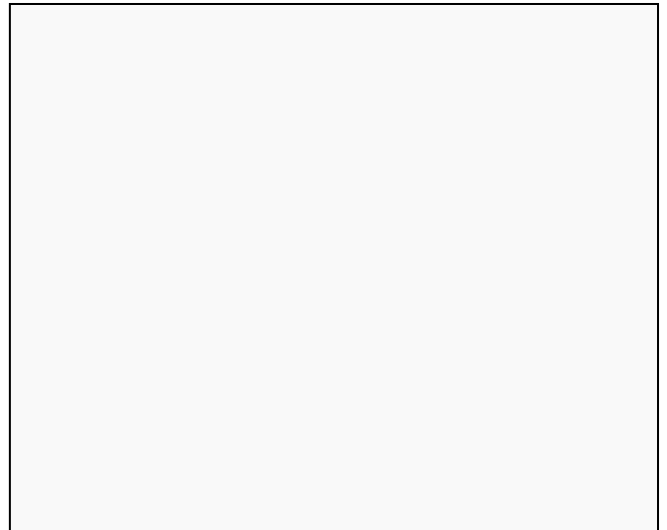
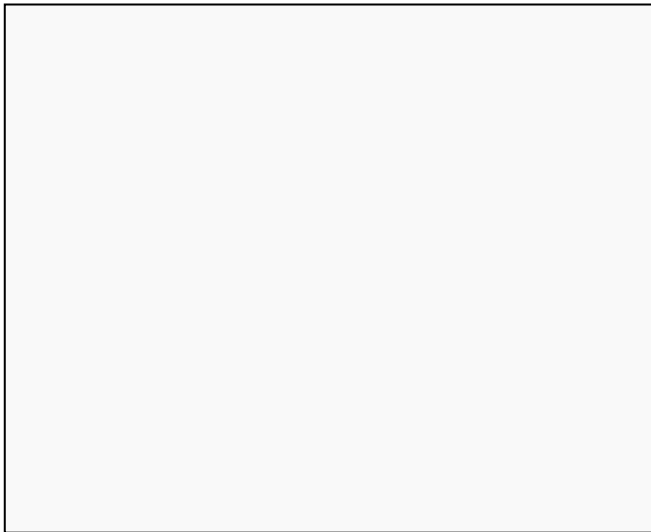


# MD160S-M3



## Electrical Characteristics

### Performance Curves



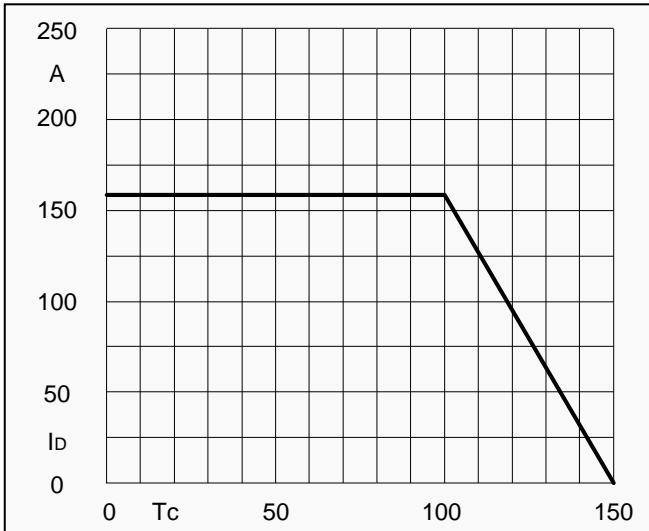
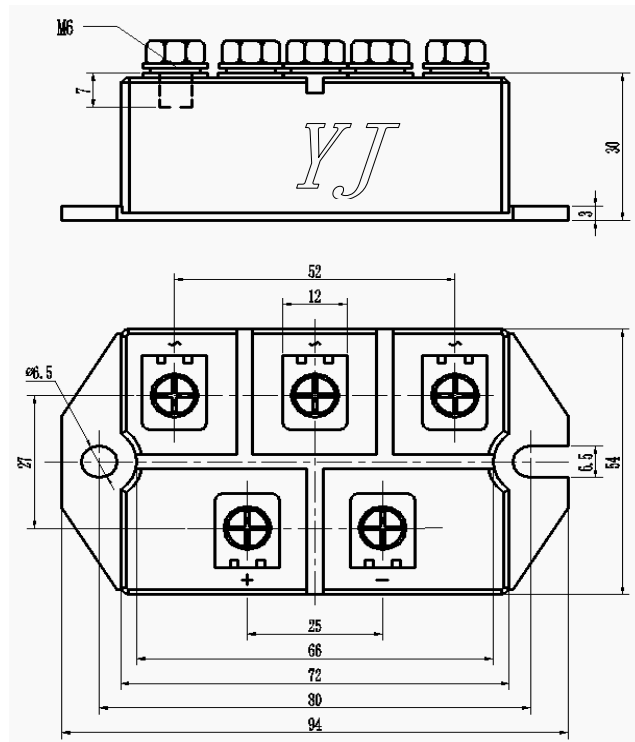


Fig5.Forward Current Derating Curve

### Package Outline Information

#### CASE M3



Dimensions in mm