

Module Type

TYPE	VRRM	VRSM
MD165U08D2	800V	900V
MD165U12D2	1200V	1300V
MD165U16D2	1600V	1700V
MD165U18D2	1800V	1900V



## Performance Curves

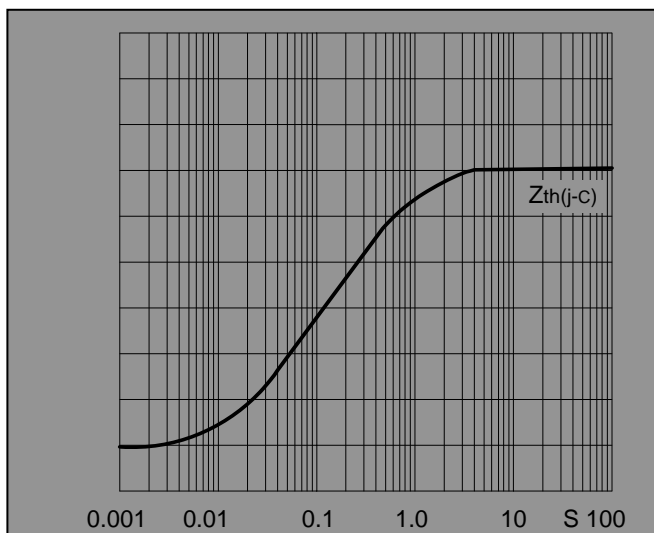
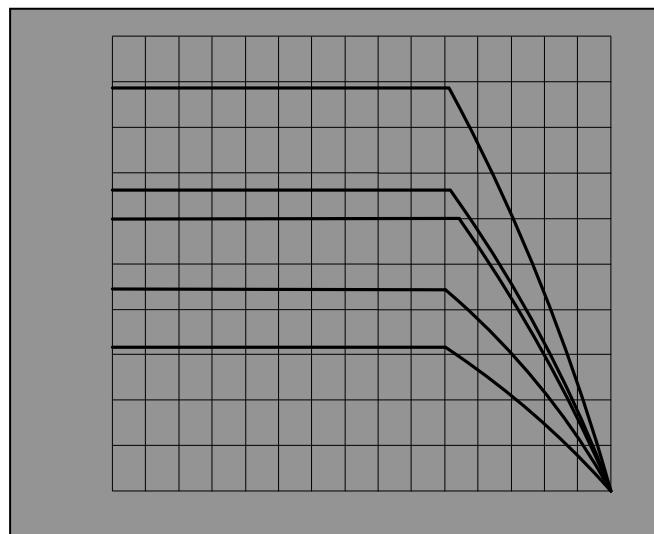
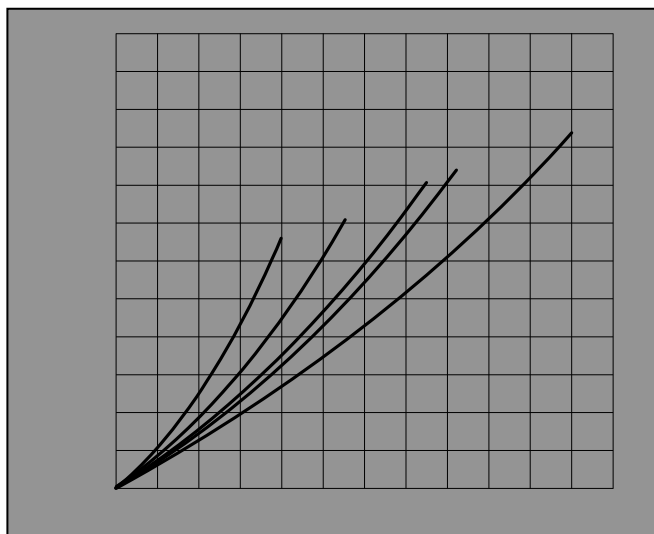


Fig3. Transient thermal impedance

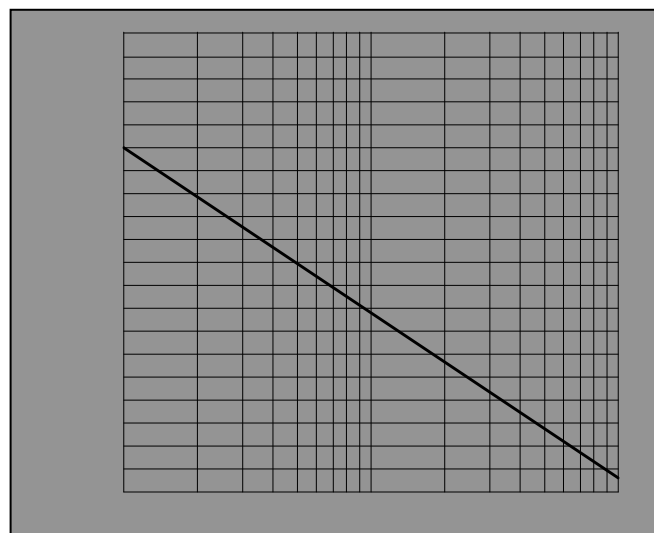


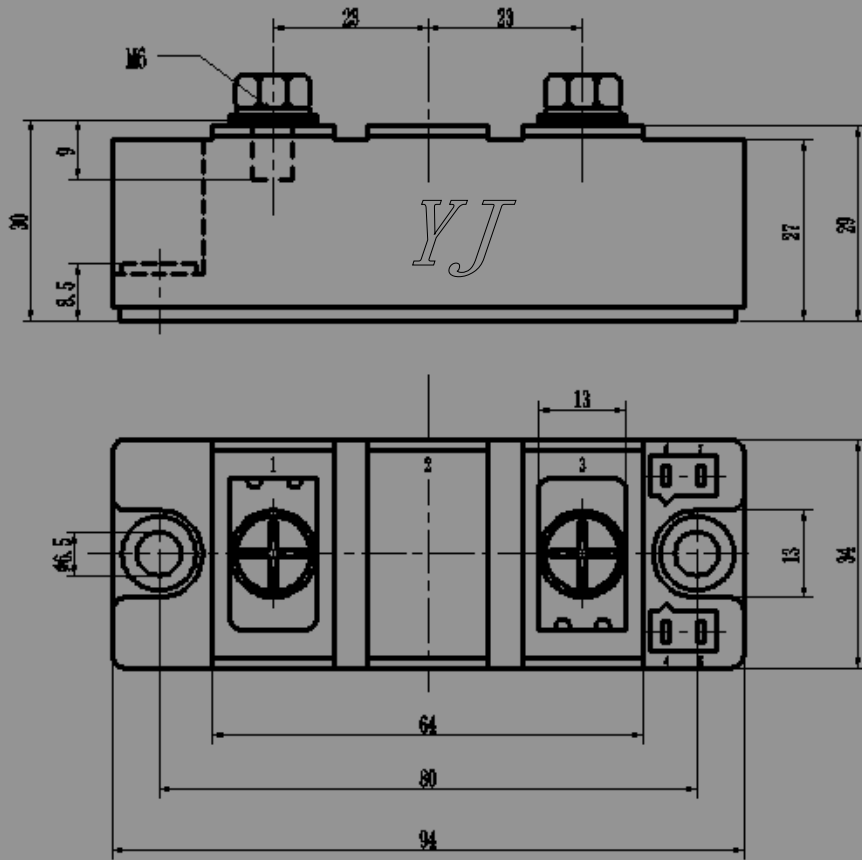
Fig4. Max Non-Repetitive Forward Surge Current





### Package Outline Information

CASE: D2



Dimensions in mm