



Module Type

TYPE	VRRM	VRSM
MD60S08M2	800V	900V
MD60S12M2	1200V	1300V
MD60S16M2	1600V	1700V
MD60S18M2	1800V	1900V

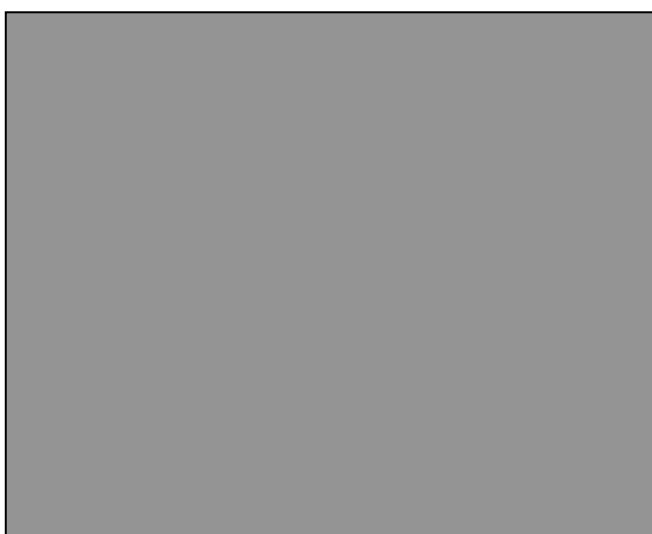
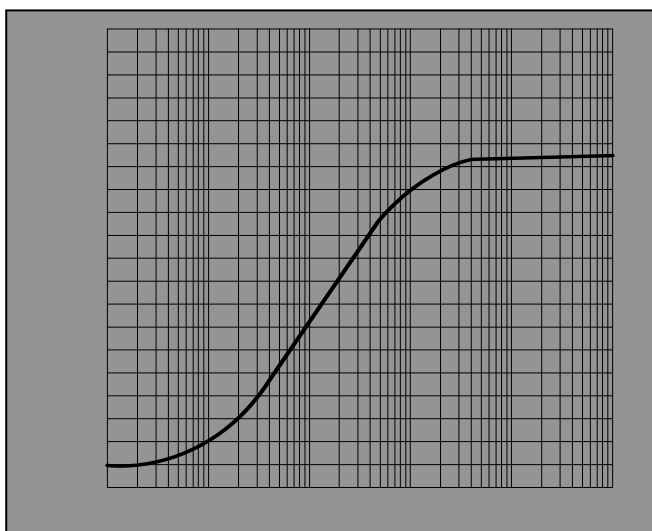
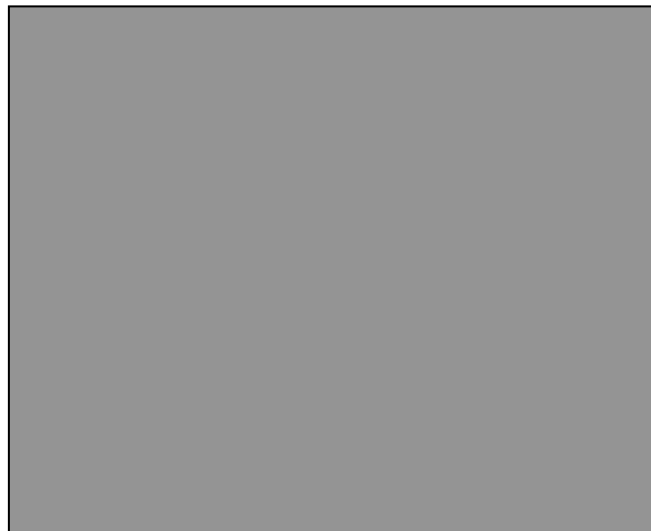
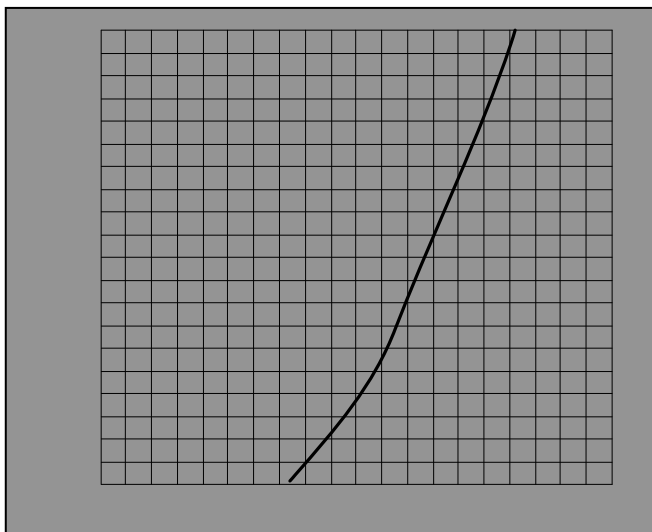
Maximum Ratings

Symbol	Conditions	Values	Units
ID	Three phase, full wave Tc=110	60	A
IFSM	t=10mS Tvj =45	460	A
i ² t	t=10mS Tvj =45	1050	A ² s
Visol	a.c.50HZ;r.m.s.;1min	3000	V
Tvj		-40 to +150	
Tsta		-40 to +125	
Mt	To terminals(M5)	5±15%	Nm
Ms	To heatsink(M5)	5±15%	Nm

105.06 -



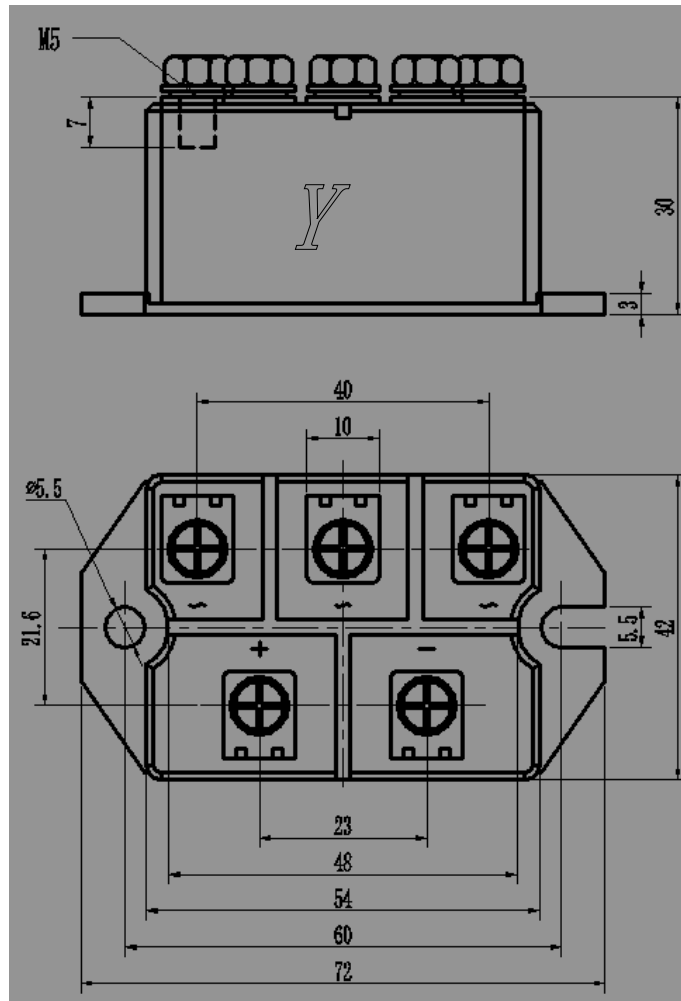
Performance Curves





Package Outline Information

CASE M2



c

Dimensions in mm