

Module Type

TYPE	VRRM	VRSM
MF100A06F2N	600V	660V

Maximum Ratings

Symbol	Conditions	Values	Units
--------	------------	--------	-------

V_R



Electrical Characteristics

Symbol	Conditions	Values	Units
--------	------------	--------	-------

Performance Curves

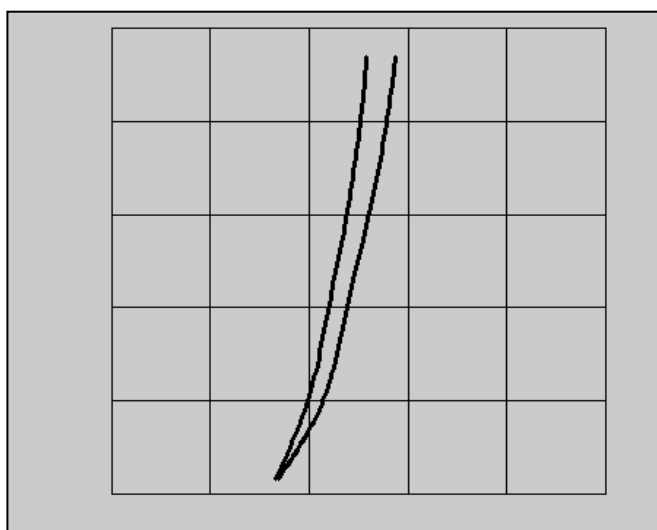


Fig1. Forward Voltage Drop vs Forward Current

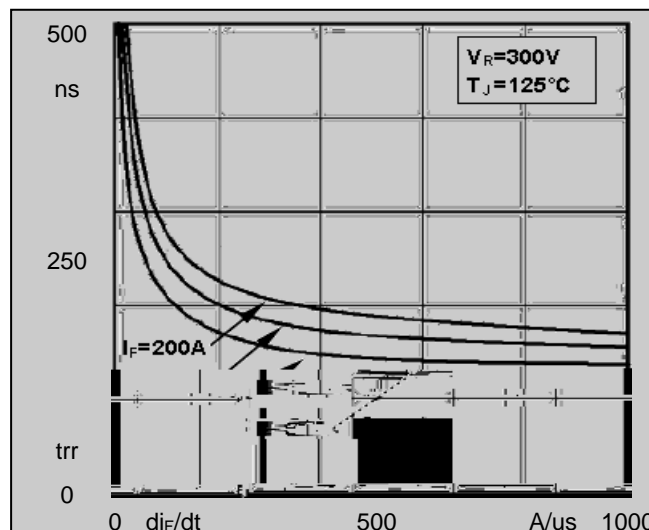


Fig2. Reverse Recovery Time vs di_F/dt



Fig3. Reverse Recovery Current vs di_F/dt

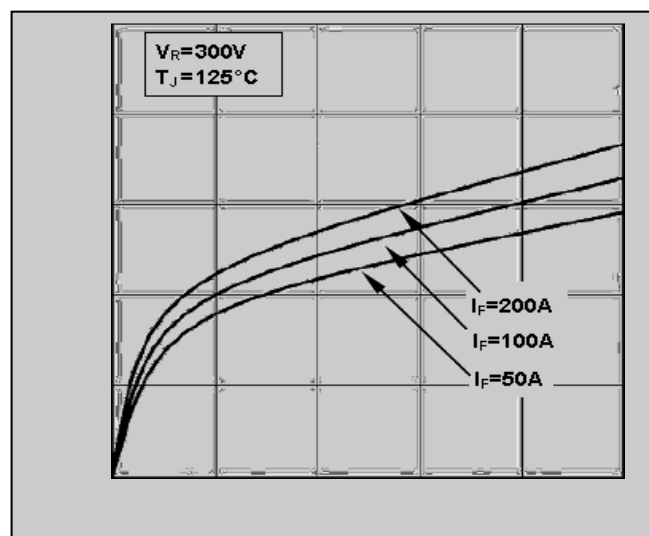
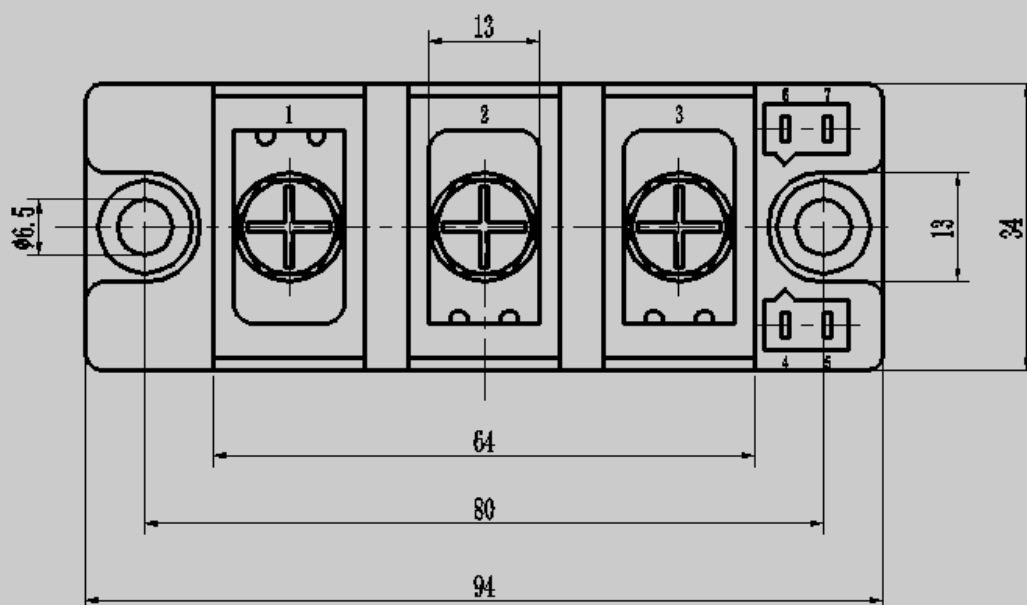
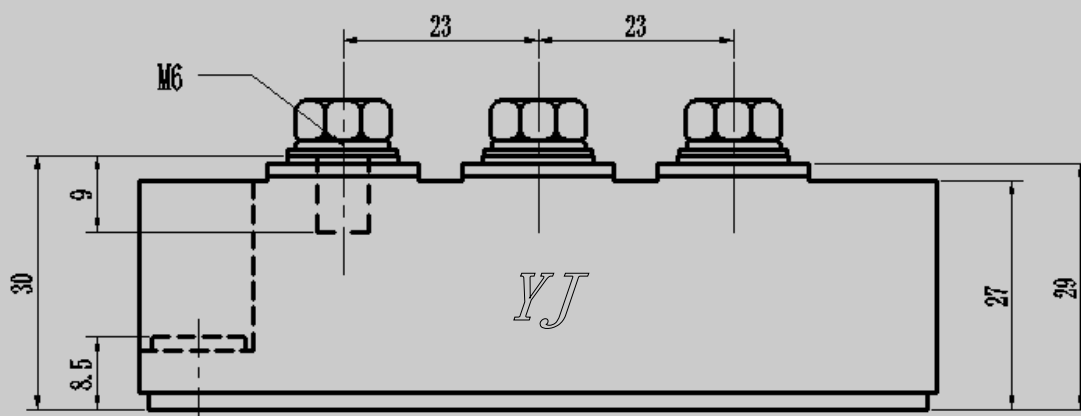


Fig4. Reverse Recovery Charge vs di_F/dt



Package Outline Information

CASE: F2N



Dimensions in mm