

Module Type

TYPE	VRRM	VRSM
MF100A06F2N	600V	660V

Maximum Ratings

Symbol	Conditions	Values	Units
--------	------------	--------	-------

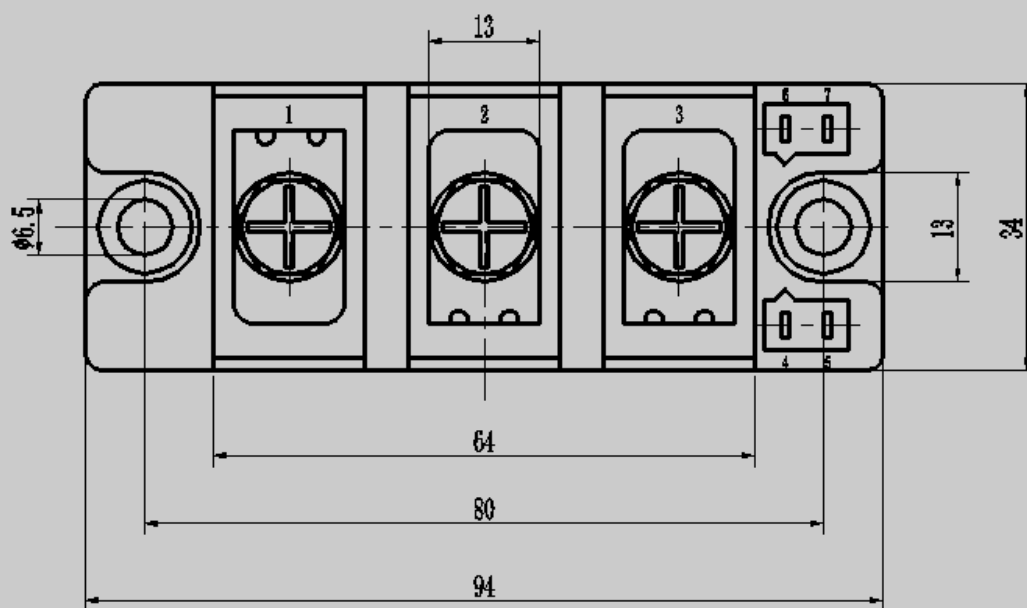
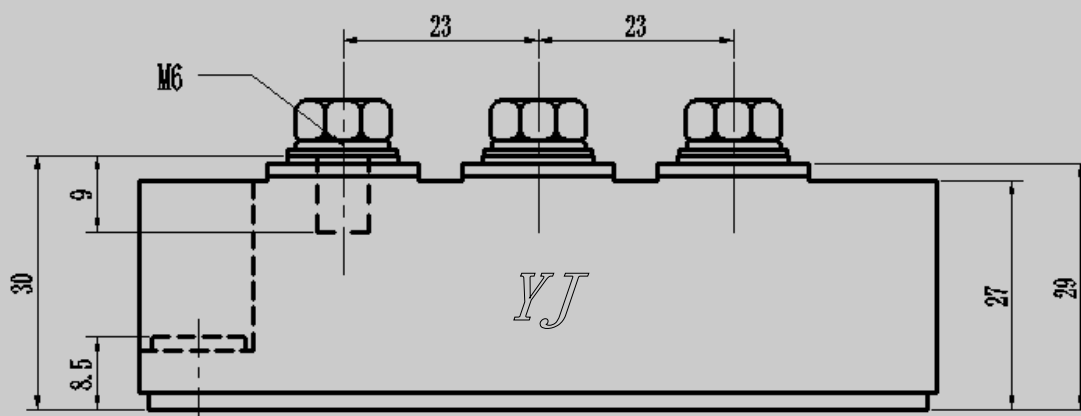
V_R





Package Outline Information

CASE: F2N



Dimensions in mm