



# MF150A06F2N

## FRED Modules

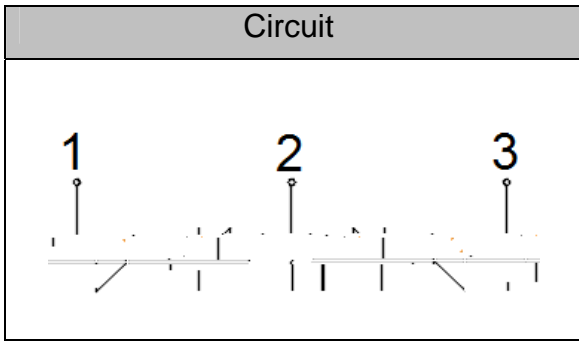
V<sub>RRM</sub> 600V  
I<sub>FAV</sub> 150 A

### Applications

- y Inversion Welder
- y Uninterruptible Power Supply (UPS)
- y Plating Power Supply
- y Ultrasonic Cleaner and Welder
- y Power Factor Correction (PFC) Circuit
- y Converter & Chopper

### Features

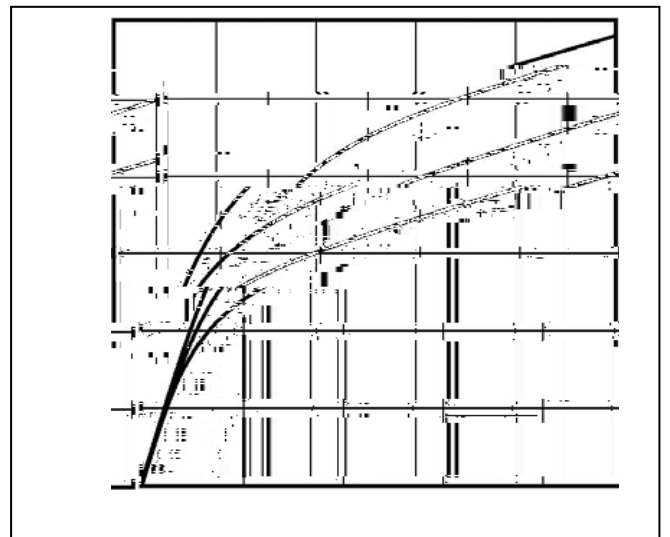
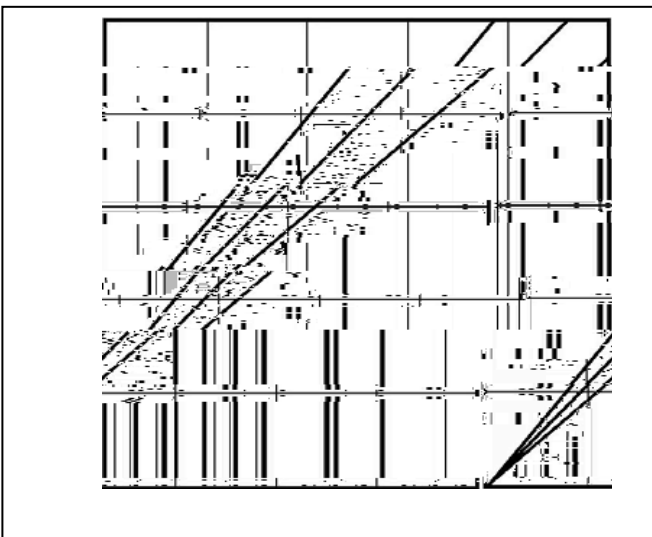
- y Soft Reverse Recovery Characteristics
- y Ultrafast Reverse Recovery Time
- y Low Reverse Recovery Loss
- y Low Forward Voltage
- y High Surge Current Capability
- y Low Inductance Package



	Conditions	Values	Units
V <sub>R</sub>		600	V
V <sub>RRM</sub>		600	V
I <sub>F(AV)</sub>	T <sub>C</sub> =100°C, Per Diode	150	A
	T <sub>C</sub> =100°C, Per Module	300	A
I <sub>F(RMS)</sub>	T <sub>C</sub> =100°C, Per Diode	220	A
I <sub>FSM</sub>	1/2 Cycle, 50Hz, Sine	1400	A
	1/2 Cycle, 60Hz, Sine	1500	A
I <sup>2</sup> t	T <sub>J</sub> =45°C, t=10ms, 50Hz, Sine	9800	A <sup>2</sup> s=318.56 .47998 1
			W
Visol	AC, Ton=1min	3000	V
T <sub>J</sub>		-40 to +150	°C
T <sub>STG</sub>		-40 to +125	°C
Torque	RecommendedHM6H	5±15%	N·m
Torque	RecommendedHM6H	5±15%	N·m
Weight		160	g

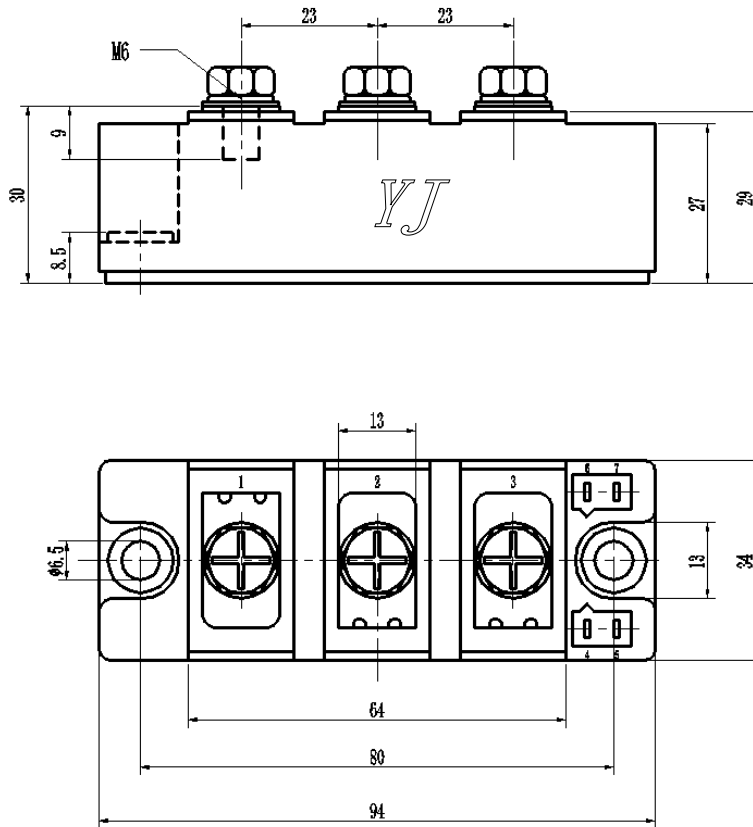
### Thermal Characteristics

Symbol	Conditions	Values	Units
R <sub>th(j-c)</sub>	Junction-to-Case, Per Diode	0.22	/W



Package Outline Information

CASE: F2N



Dimensions in mm