



MF150K06F2N

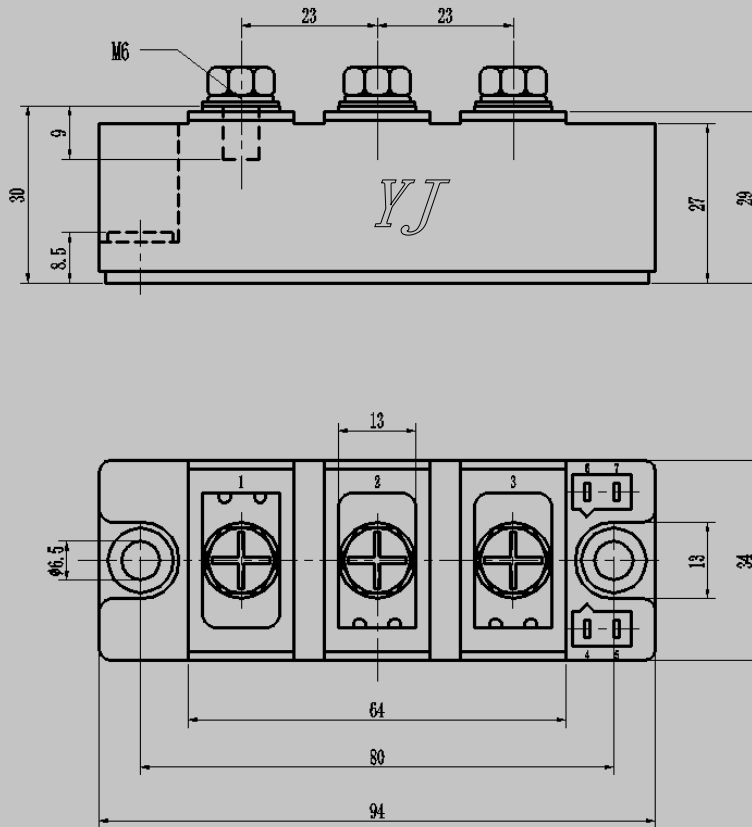
Symbol	Conditions	Values	Units
V_R		600	V
V_{RRM}		600	V
$I_{F(AV)}$	$T_C=100^{\circ}\text{C}$, Per Diode	150	A
	$T_C=100^{\circ}\text{C}$, Per Module	300	A
$I_{F(RMS)}$	$T_C=100^{\circ}\text{C}$, Per Diode	220	A
I_{FSM}	1/2 Cycle , 50Hz, Sine	1400	A
	1/2 Cycle , 60Hz, Sine	1500	A
I^2t	$T_J=45^{\circ}\text{C}$, $t=10\text{ms}$, 50Hz, Sine	9800	A^2s
	$T_J=45^{\circ}\text{C}$, $t=8.3\text{ms}$, 60Hz, Sine	11200	A^2s
P_D		480	W
Visol	AC, $T_{on}=1\text{min}$	3000	V
T_J		-40 to +150	$^{\circ}\text{C}$
T_{STG}		-40 to +125	$^{\circ}\text{C}$
Torque	Recommended M6	$5\pm 15\%$	N·m
Torque	Recommended M6	$5\pm 15\%$	N·m
Weight		160	g

MF150K06F2N



Package Outline Information

CASE: F2N



Dimensions in mm