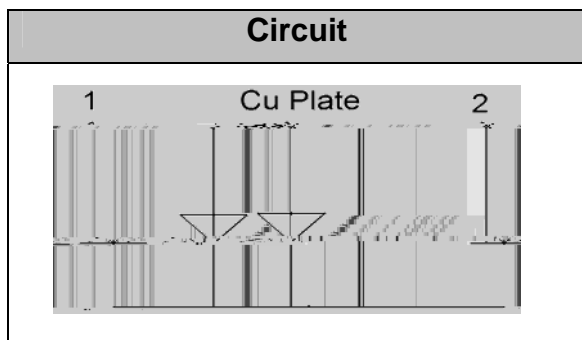


Power Factor Correction (PFC) Circuit Converter & Chopper



Features

- Soft Reverse Recovery Characteristics
- Ultrafast Reverse Recovery Time
- Low Reverse Recovery Loss
- Low Forward Voltage
- High Surge Current Capability
- Low Inductance Package

Maximum Ratings

Symbol	Conditions	Values	Units
V_R		400	V
V_{RRM}		400	V
$I_{F(AV)}$	$T_C=125^{\circ}C$, Per Diode	100	A
	$T_C=125^{\circ}C$, Per Module	200	A
$I_{F(RMS)}$	$T_C=125^{\circ}C$, Per Diode	150	A
I_{FSM}	1/2 Cycle , 50Hz, Sine	3000	A
	1/2 Cycle , 60Hz, Sine	3200	A
I^2t	$T_J=45^{\circ}C$, $t=10ms$, 50Hz, Sine	45000	A^2s
P_D		833	W
T_J		-40 to +150	$^{\circ}C$
T_{STG}		-40 to +125	$^{\circ}C$
Torque	Recommended M6	3 4.7	N·m
Torque	Recommended M6	3 4.7	N·m
Weight		92	g

Thermal Characteristics

Symbol	Conditions	Values	Units
$R_{th(j-c)}$	Per diode	0.14	/W
$R_{th(j-c)}$	Per Module	0.07	



Electrical Characteristics

Performance Curves

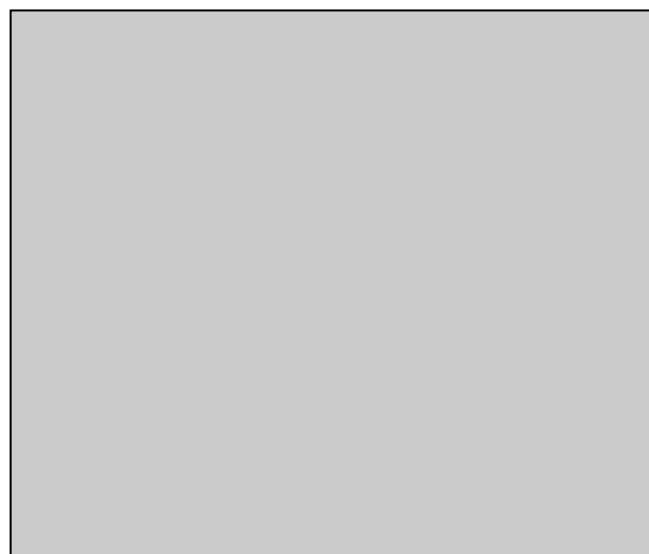
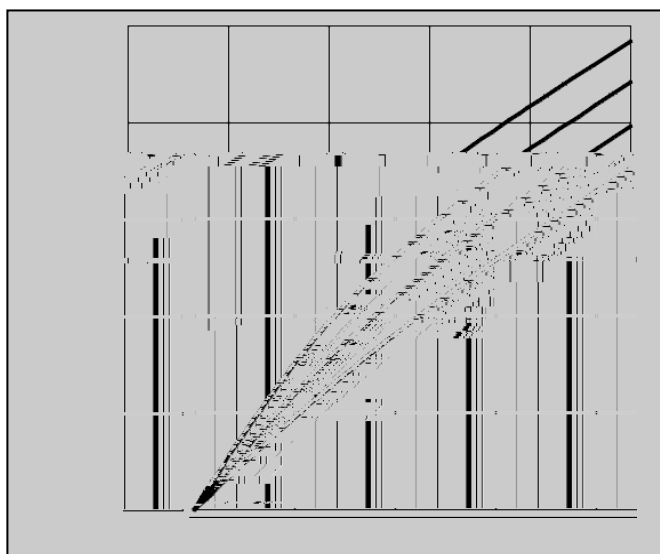
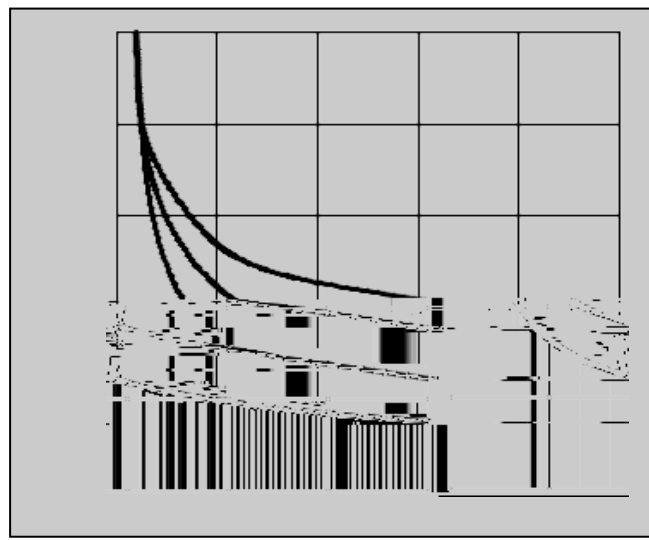
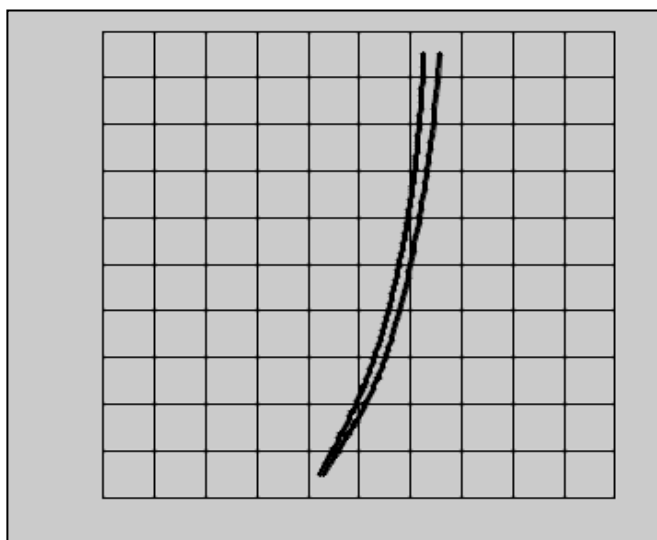


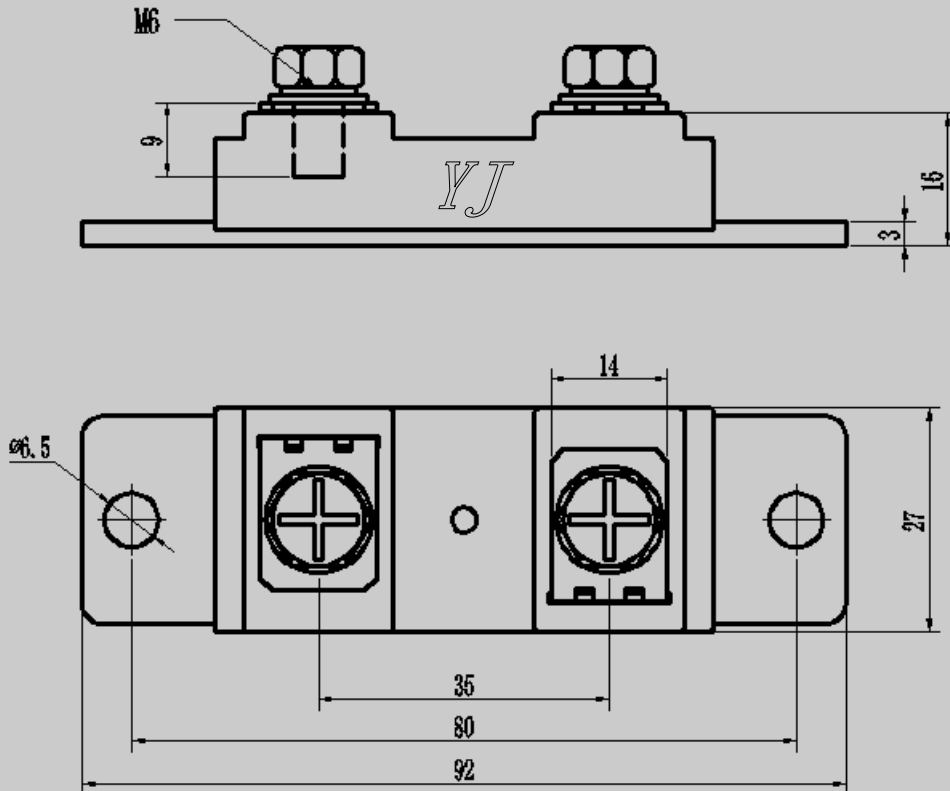
Fig3. Reverse Recovery Current vs di/dt

Fig4. Reverse Recovery Current vs di/dt



Package Outline Information

CASE: F3



Dimensions in mm