

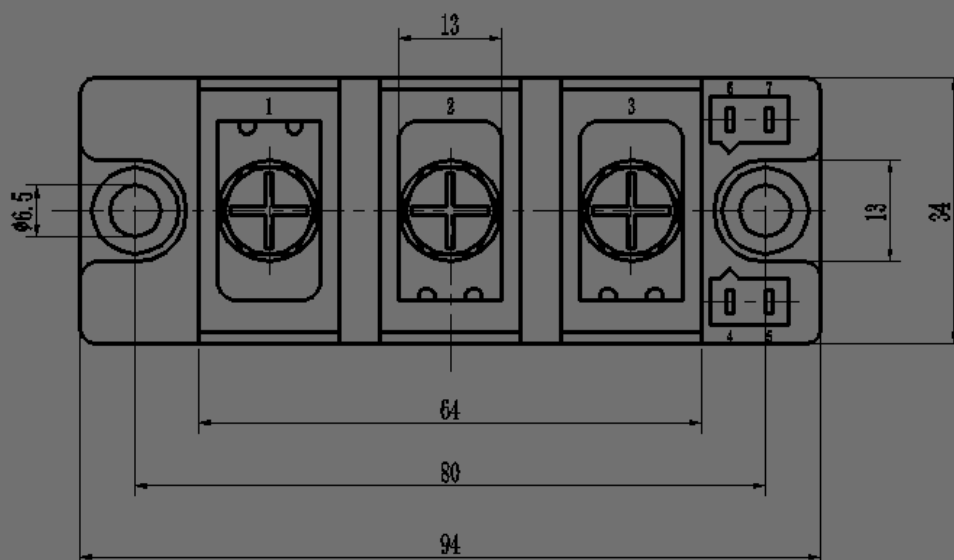
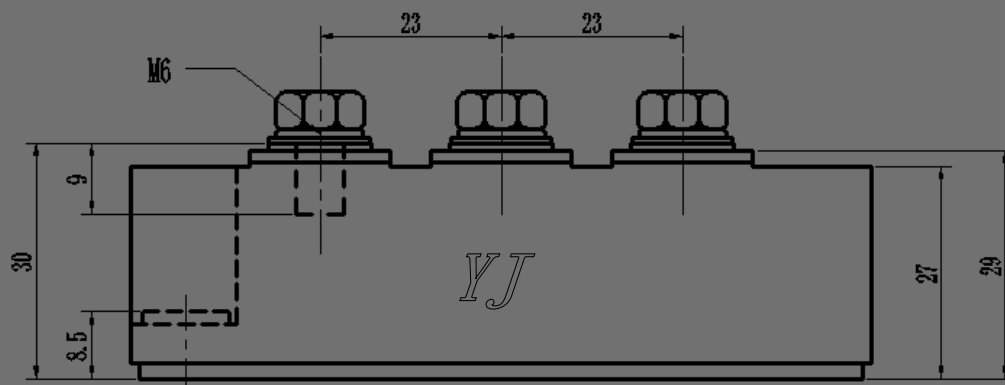
Maximum Ratings

Symbol	Conditions	Values	Units
V_R		1200	V
V_{RM}		1200	V
I_{PR}	$T_C \neq 10^\circ C$	200	A
	$T_C \neq 20^\circ C$	150	A
I_{PR}	$T_C \neq 10^\circ C$	280	A
I_{SM}	1/2 50% 1/2 50% 1/2 50%	1800	A
	1/2 60% 1/2 60% 1/2 60%	1975	A
I^2t	$T_J 45^\circ C$ 10% 50% 10% 50%	16200	A^2s
	$T_J 45^\circ C$ 0.3% 60% 10% 50%		
P_D		568	W
τ	AC, $T_{on}=1min$	3000	V
T_J		-40 to 150	



Package Outline Information

CASE: F2



Dimensions in mm