



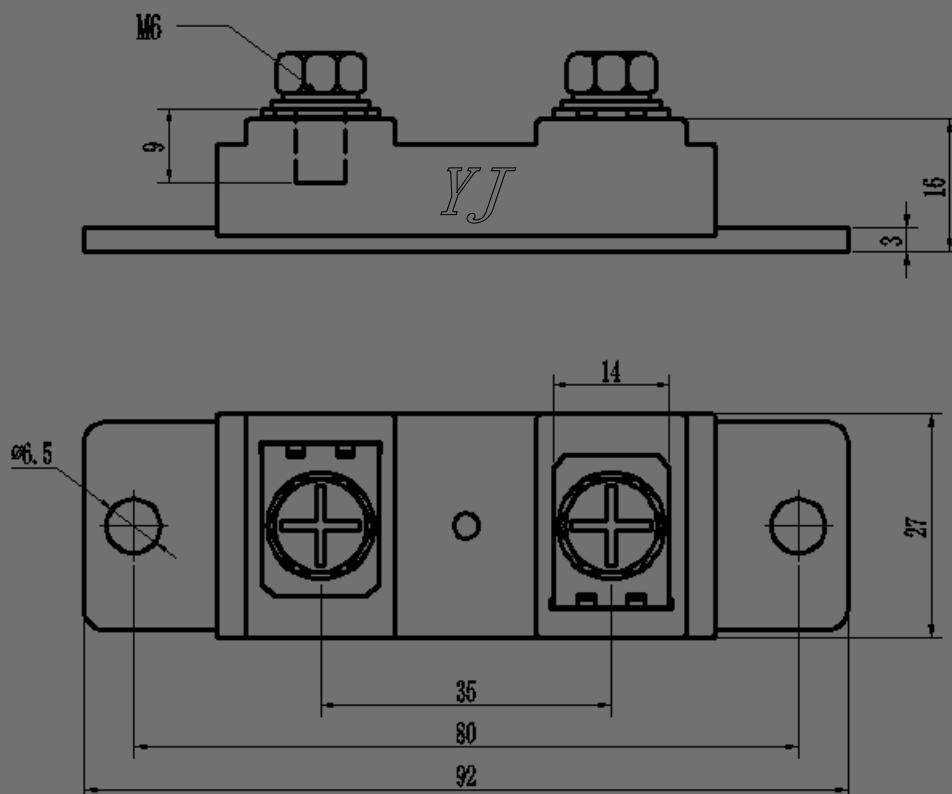
Values





Package Outline Information

CASE: F3



Dimensions in mm