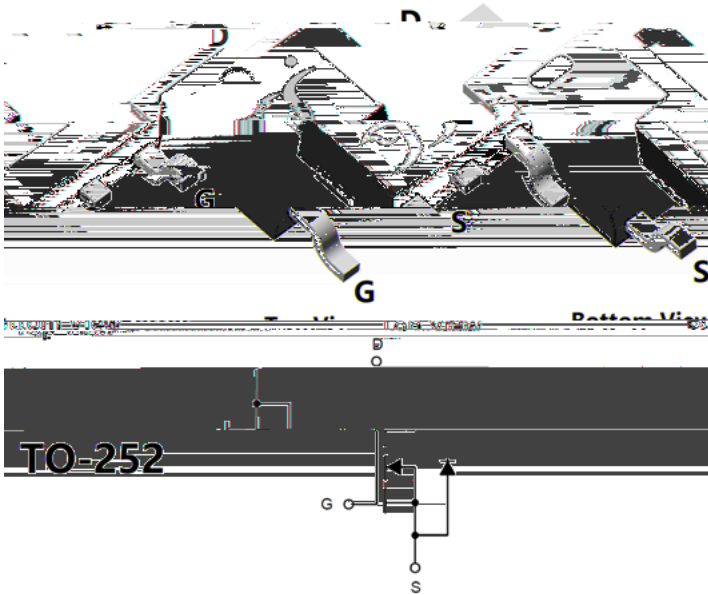




N-Channel Enhancement Mode Field Effect Transistor



Product Summary

" 9₆ 9
 " ' \$
 " 5₆ 2₁ DW 9 9 Ø P
 " 5₆ 2₁ DW 9 9 Ø P
 " (\$ 6 7HVWHG
 " j 9₆ 7HVWHG

General Description

" ([FHOHQW S DFNHW HGLR VLSDWLRQ
 " +LJK GHQVLW\ FHOQ GHVLJQ IRU ORZ 5
 " 0RLVWXUH 6HQVLWLYLW\ /HYHO
 " (SR\ 0HHWV 8)ODPDELOLW\ 5DWLQJ
 " +DORJHQ)UHH
 " 3DUW QR ZLWRKHVXIVL\$(& 4 TXDOLILHG

1

J125 XQOHVV RWKHUZZLVH QRWHG

Parameter	Symbol	Limit	Unit
'UDLQ VRXUFH 9ROWDJH	9 ₆		9
*DWH VRXUFH 9ROWDJH	9 ₆	9 "	9
&RQWLQRRXV 'UDLQ &XUHQW 1RWH	7 _s - 6WHDG\ 6WDWH		\$
&RQWLQRRXV 'UDLQ &XUHQW 1RWH	7 _s - 6WHDG\ 6WDWH		
3XOVHG 'UDLQ &XUHQW 1RWH	7 _s - 6WHDG\ 6WDWH		
3XOVHG 'UDLQ &XUHQW 1RWH	7 _s - 6WHDG\ 6WDWH		
\$YDODQFKH HGHUJ\ 9 9 5 / P+ , \$ 6 \$	(\$ 6		P-
7RWDO 3RZHU 'LVVLSDWLRQ 1RWH	7 _s - 6WHDG\ 6WDWH		:
7RWDO 3RZHU 'LVVLSDWLRQ 1RWH	7 _s - 6WHDG\ 6WDWH		
7RWDO 3RZHU 'LVVLSDWLRQ 1RWH	7 _s - 6WHDG\ 6WDWH		
7RWDO 3RZHU 'LVVLSDWLRQ 1RWH	7 _s - 6WHDG\ 6WDWH		
-XQFWLRQ DQG 6WRUDJH 7HPSHUDWXUH 5DQJH	7 _s - 6WHDG\ 6WDWH	7	-

Thermal resistance

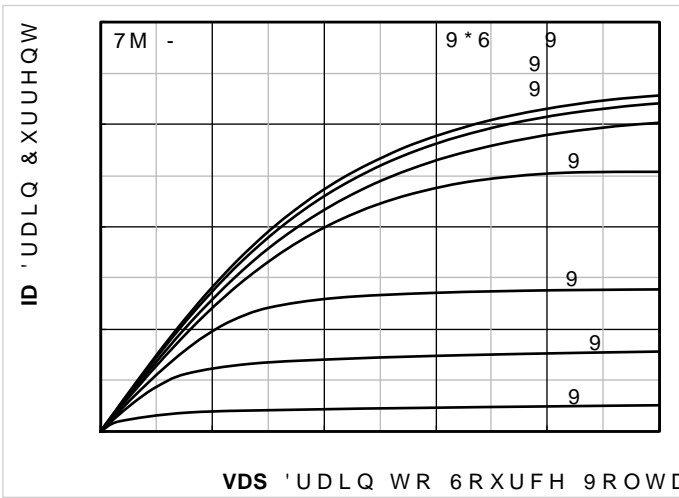
Parameter	Symbol	Typ	Max	Unit	
7KHUPDO 5HVLVWDQFH -XQFWLRQ WR \$PELHQW 1RWH	6WHDG\ 6WDWH			5	
7KHUPDO 5HVLVWDQFH -XQFWLRQ WR &DVH	6WHDG\ 6WDWH			5	
	0DUNLQ	0,1,080	,11(5 %2; 3\$&.\$*(SFV 48\$17,7< SF	287(5 &\$572 48\$17,7< SF	'(/,9(5< 02')
<' * \$+4	<' * \$			5 HHO	



YJD017G10AHQ

Typical Electrical and Thermal Characteristics Diagrams

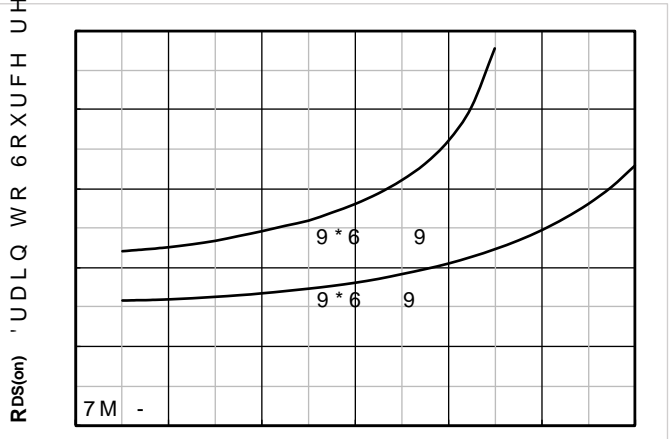
5



3 7 2

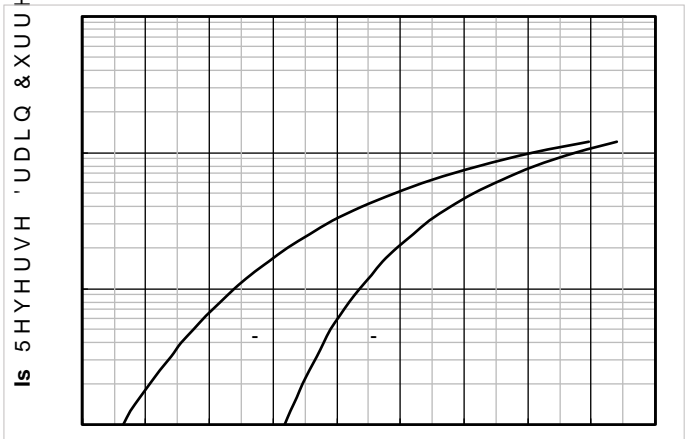


YJD017G10AHQ



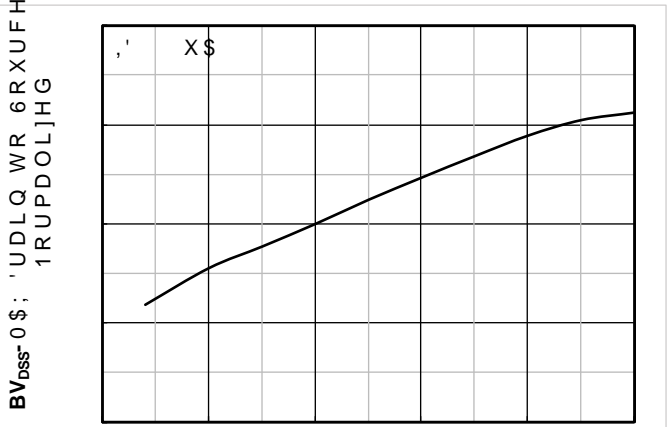
ID 'UDLQ & XUHQW \$

)LJXUH 6 RQ6 'UDLQ & XUHQW



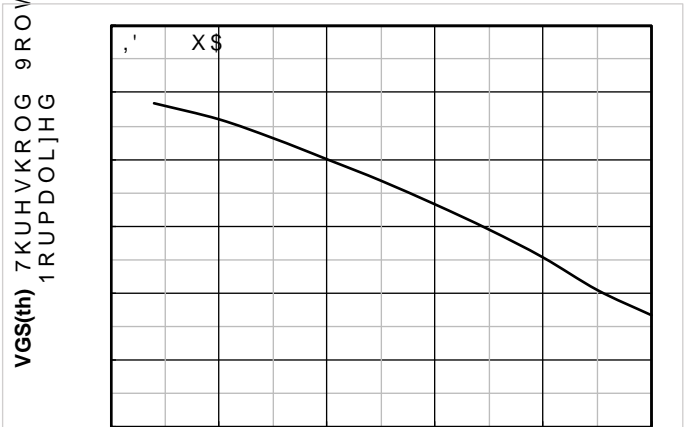
Vsd- 6RXUFH WR 'UDLQ 9ROWDJH 9

)LJXUH FKDV DRUWHYHUWLF G



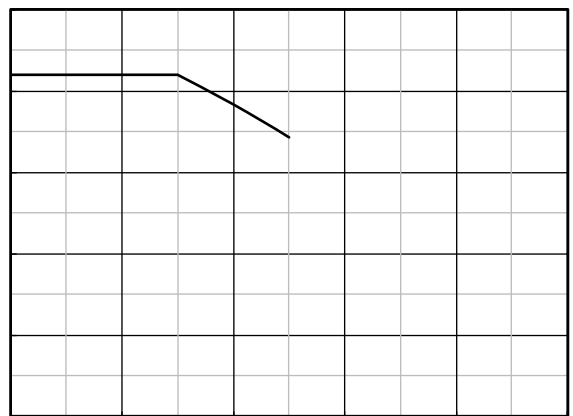
Tj -XQFWLRQ 7HPSHUDWXUH

)LJXUH 1RUPDOLJHG 7HPSHUDWXUH



Tj -XQFWLRQ 7HPSHUDWXUH

)LJXUH HG 7KHUHKROG YRQ

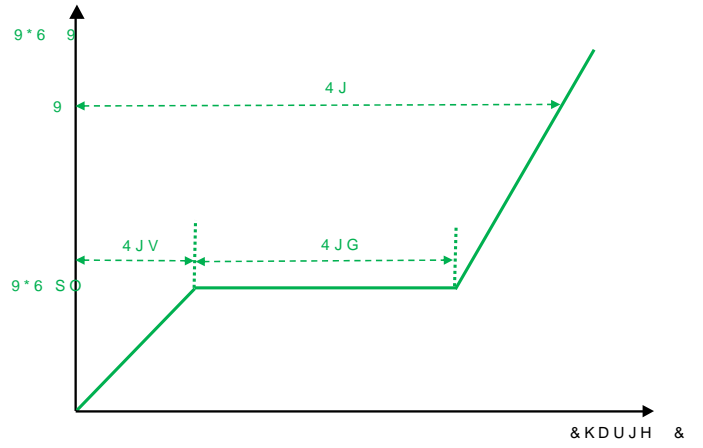
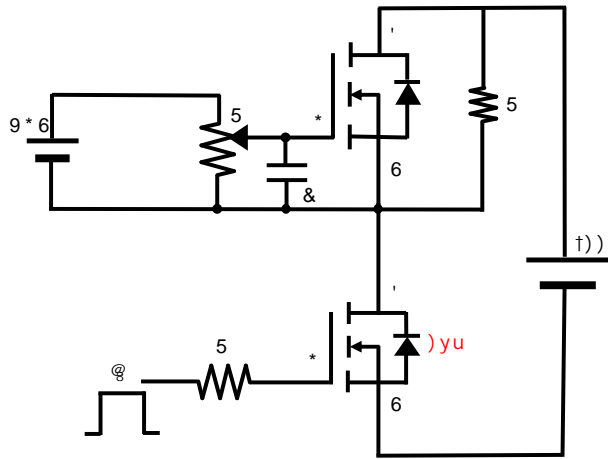




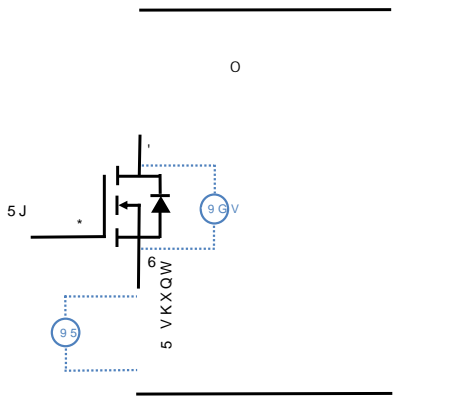
YJD017G10AHQ



YJD017G10AHQ



)LJXUH D%WH &KDUJHU F%VW & :DYHIRUP





vTO-252-B Package information

'0(16,216
 ,1&+(6
 120
 0,1
 6<0%2/
 \$
 \$
 \$
 E
 F
 .
 .
 (
 (

:56 </+=

9/*+ </+=

(5::53 </+=

'LVFODLPHU

7KH LQIRUPDWLRQ SUHVHQWHG LQ WKLV <DQJ> KRXQJD QVMIRHU (WHIHWHUHQHFRQFHQRORJ
ULJKW WR PDNH FKDQJH RU ZWLVK RXSWKHQRSAURVGLXFFQRIGWVSOD\HG KHUHLQ WRGLHPSLUJRY
RWKHUZZLVH

7KH SURGXFW OLVWJHQHGHWRILEQLXWBEHZLWKFDXWRDPRWIDYRUQRWHGLQVPHGHFDOLIH
VDYLQJ OLIHVXVWUDLQDQJMRH RUODLQDQRDQXIPMVIRKUDVLSHQOLELQIRW\BQWGPDUH
VXFK LPSURSHU XVH RI VDOH

7KLV SXEOLFDFWLRQ SXSDFHUWIDQDVLQURQPDVXLSRQLSHGHYLRXDXGLRQLRSDODVQWRHJLWWRSX
ZZZ \DQJMLHRURPRQVXOW\RXU QHDUHVW ApZ