



< - ' & % + -

1 & KDQQHO ( QKDQFHPHQW 0RGH ) LHOG (

3URGXFW 6XPPDU\

" 96 9 \$
" '
" 56 21 DW 99 Ø P
" (\$6 7HVWHG
" -9'6 7HVWHG

\*HQHUDO 'HVFULSWLRQ

" 6XSHU -XQFWLRQ +LJK 9ROWDJH 026)(7 V
" 8OWUD /RZ \*DWH &RZHUJHU&LDXQH 5HTXLU
" /RZ 2Q UHVLVWDQFH DQG /RZ &RQGFWL
" 0RLVWXUH 6HQVLWLYLW\ /HYHO
" (SR[\ 0HHWV 8)ODPPDELOLW\ 5DWLQJ
" +DORJHQ )UHH

\$SSOLFDWLRQV

" 6ZLWFKLQJ 0RGH 3RZHU 6XSSOLHV 6036
" 3:0 0RWRU &RQWUROV
" /(' /LJKWLQJ
" \$GDSWHU

v/LPLWLQJ 9DOXH

3DUDPHWHU	&RQGLWLRQV	6\PERO	0LQ	0D[	8QLW
-----------	------------	--------	-----	-----	------

'UDLQ VRXUFH 9ROWDJH

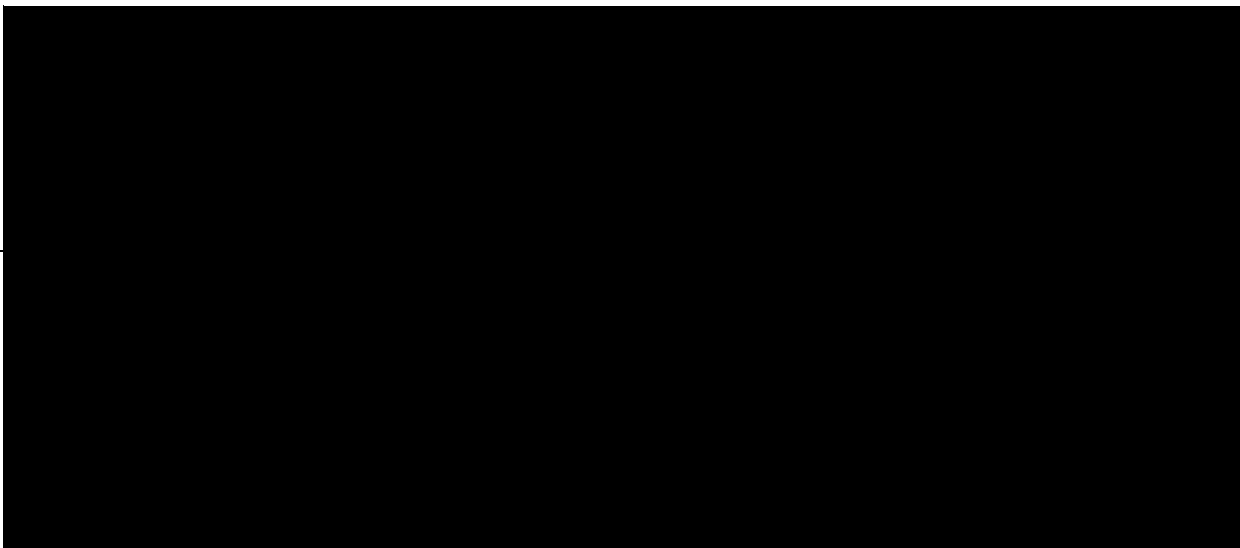
		7& - 96 9			
3XOVHG 'UDLQ &XUUHQW	7& - 96 -V				
0D[LPXP %RG\ 'LRGH &RQWLRQXRXV &XUUHQW					
0D[LPXP %RG\ 'LRGH 3XOVHG &XUUHQW					
\$YDODQFKH (QHUJ\ QRQ UHSH-WDLQV / P+ \$6 \$					P-
7RWDO 3RZHU 'LRWHSDWLRQWHDG\ 6WDWH	7& - 96 -				
7RWDO 3RZHU 'LVVLSDWLRQ 1RWH	7& - 96 - 6WHDG\ 6WDWH				:
026)(7 GY GW 5XJJHGQHV 7. - 96 « 9 , ' \$ 5J					9 QV
5HYHUVH 'LRGH GY GW	7. - 96 « 9 , ' \$ GL GW \$ XV				GY GW
0D[LPXP 'LRGH &RPPXWDWLRQ-6SHHG 9 , ' \$ 5J					GLI GW
-XQFWLRQ DQG 6WRUDJH 7HPSHUDWXUH 5DQJH					7 -

3DUDPHWHU	6\PERO
-----------	--------

	3\$&.1* &2' (	0DUNLQ	0,1,080	,11(5 %2; 48\$17,7< SF	287(5 &\$572 48\$17,7< SF	'(/,9(5< 02' (
< - ' & % + -	)	& %				3 UHHO



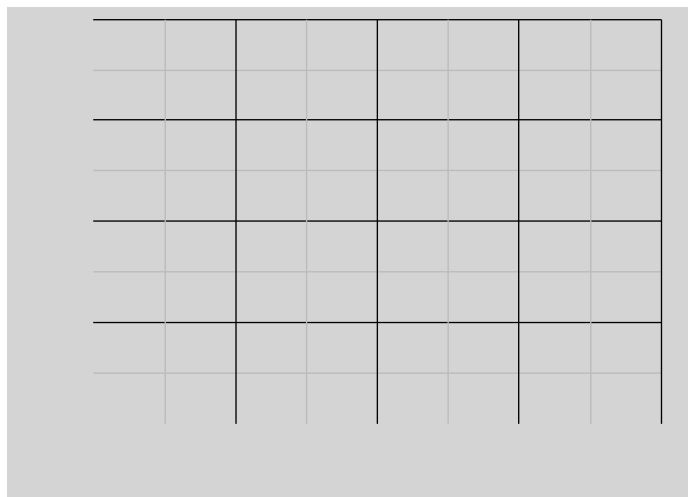
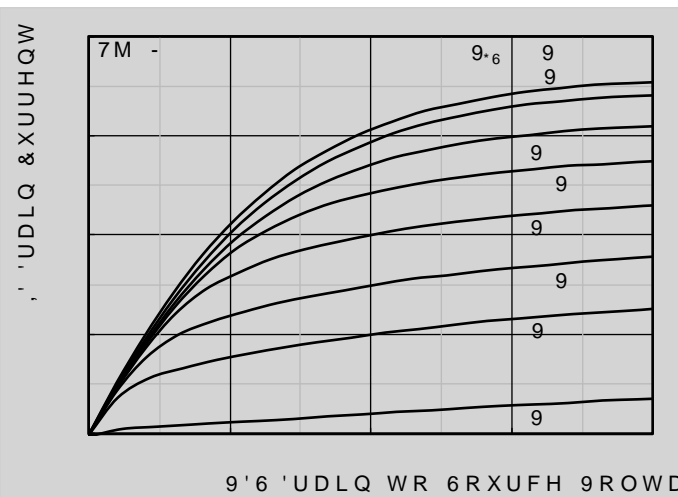
< - ' & % + -



0 D [	8 Q L W V
	9
	\$
"	Q \$



v7\SLFDO (OHFWULFDO DQG 7KHUPDO &KDUDFWHULVWLFV 'LDJUDPV



< - ' & % + -

---

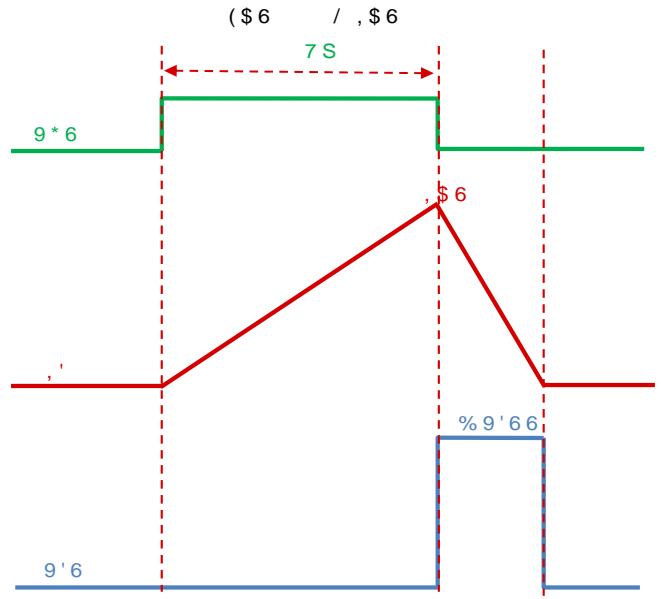
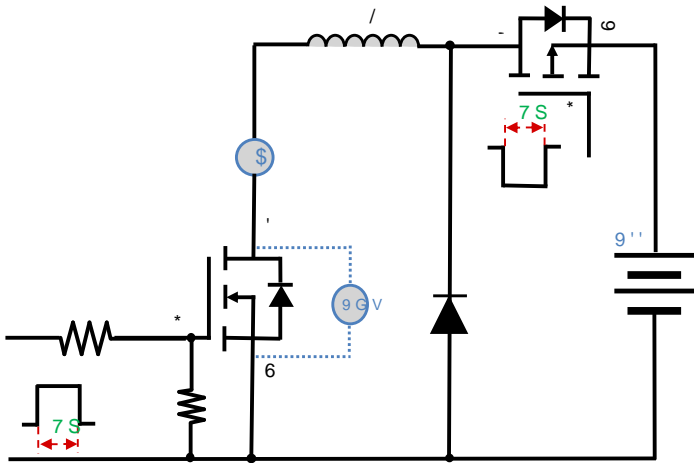
< - ' & % + -

---

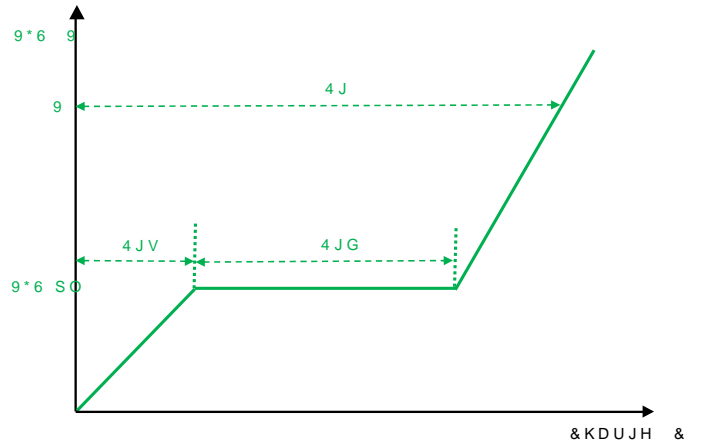
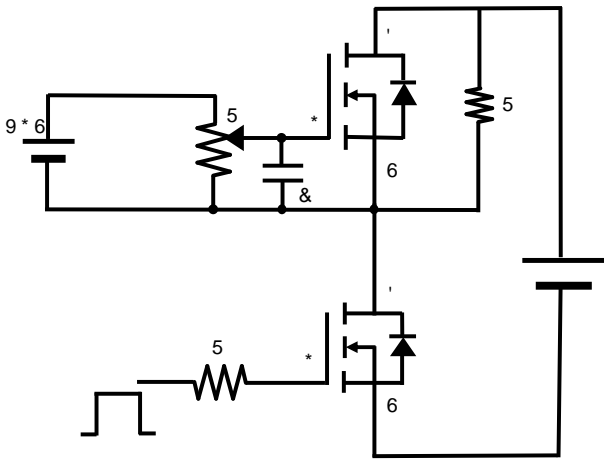


< - ' & % + -

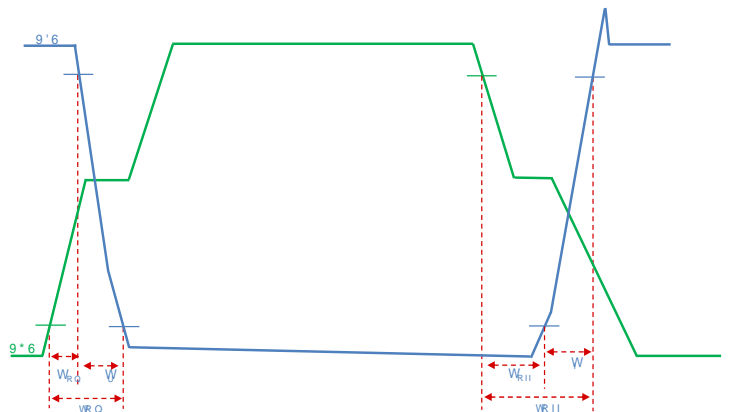
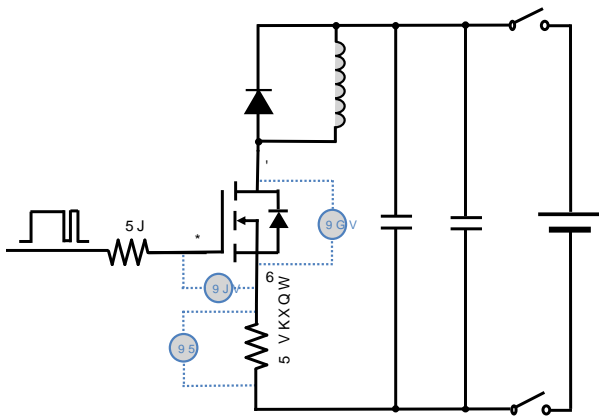
v 7HVW & LUFXLWV :DYHIRUPV



)LJXUH8\$FODPSHG ,QGXFWR,6H 76ZLWFKLQJXLW :DYHIRUP



)LJXUH1D%WH &KDUJHUFXLW & :DYHIRUP



)LJXUH5&VLVWLYH 6ZLWFKLQJ 7HVW &LUFXLW :DYHIRUP



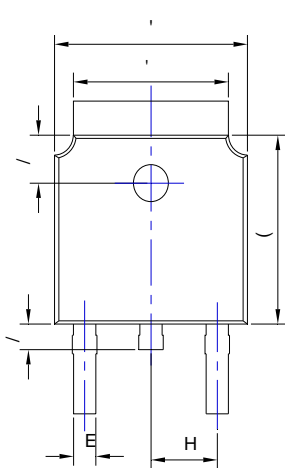
5J

•

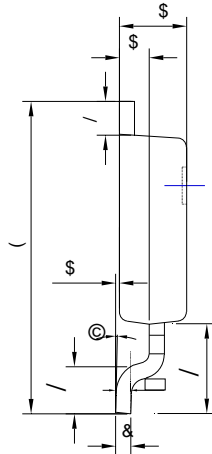


< - ' & % + -

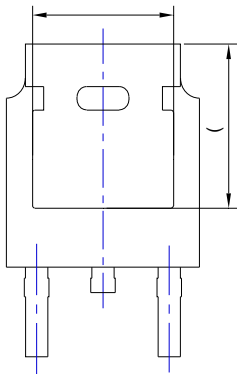
v 72 % 3DFNDJH LQIRUPDWLRQ



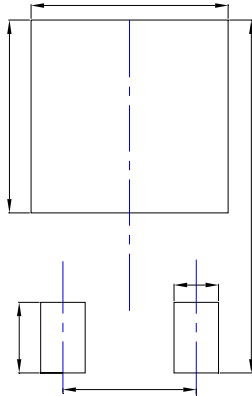
:56 </+=



9/\*+ </+=



(5::53 </+=

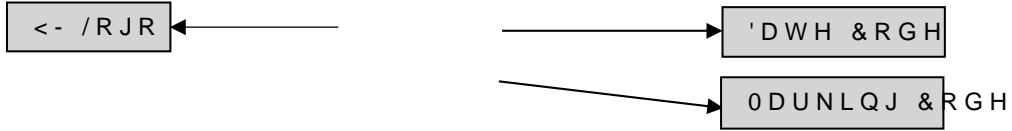


81,ÖPP  
9;--+9:+\* 952\*+8 6'\* 2'25;:

',0(16,216						
6<0%2/	,1&+(6		0LOOLPHWHU			
	0,1	120	0\$;	0,1	120	0\$;
\$						
\$						
\$						
E						
F						
.						
.						
(						
(						
(						
H	%6&		%6&			
/						
/						
/						
/						
/	5()		5()			
©	f		f	f		f

127(  
 3\$&.\$\*( %2'< 6,=(6 (;&/8'( 02/' )/\$6+  
 \$1'\*\$7( %8556  
 72/(5\$1&( PP 81/(66 27+(5:,6(  
 63(&,)(' 7+( 3\$' /\$<287 ,6 )25 5()(5(1&  
 385326(6 21/<

v 0DUNLQJ ,QIRUPDWLRQ



```
1RÖH
$OO PDUNLQJ LV DW PLGGOH RI WKH SURGXFWR ERG\
$OO PDUNLQJ LV LQ ODVHU SULQWLQJ
& %+- LV PDUNLQJLVFRGDWH<FRGH 3<<'LVVZHHDU
%RG\ FRORU %ODFN
```



< - ' & % + -

'LVFODLPHU

7KH LQIRUPDWLRQ SUHVHQWHG LQ WKLV < (G)KRXQJD QVMIRHU (WHHFWURQ HFRQHFHQRQ  
ULJKW WR PDNH FKDQJHVUZWWKRXSWKHRSRVLXFWRIGWVSOD\HG KHUHLQ WURLPVLWRY  
RWKHUZZLVH

7KH SURGXFW OLVWHG KHUHLQ LV GHVQJHFWG RQFEHH TXLSPHZQWKRBUHLYLDFUHVWQGH  
HTXLSPHQW RU GHYLFHV ZKLFK UHTXGWHKLPJODXQFMDLRQURHOZLDVEKZLRXVODGQFKU  
PHGLFDO LQVWUXPHQWVHTWUSQHVSRUVBHWVSDXFOPIDEKURDFWRQFRQWUROOHUW\DO  
GHYLFHV <DQJMLH RU DQ\RQH RQ LWLVOEHWKROJ ODVEXDHLWQRWHDVSRQDVEBJXV  
VDOH

7KLV SXEOLFDFWRQ SVKSHUWIDGIDLQURQPDVXLSRQLSGHYLURXDVGLRQLRSDODV  
[ZZZ](#) \DQJMLHRFRPRQVXOW \RXUHQRDDEHWRBIDQJMLKWDQFH



< - ' & % + -

5 (9	( )) (& 7, 9 ( '\$ 7 (	5 (9, 6, 21 +, 6725 <	35 (3\$5 ('	'LQJ
		1HZ UHOHDVH	+DLMXQ	