

YJG300G04HR



YJG300G04HR

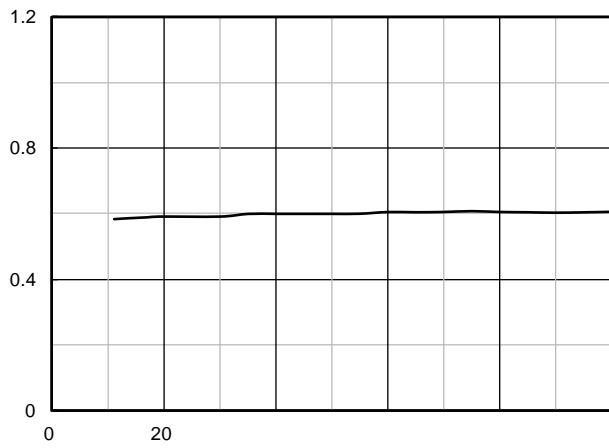


Figure 7. $R_{DS(on)}$ VS Drain Current

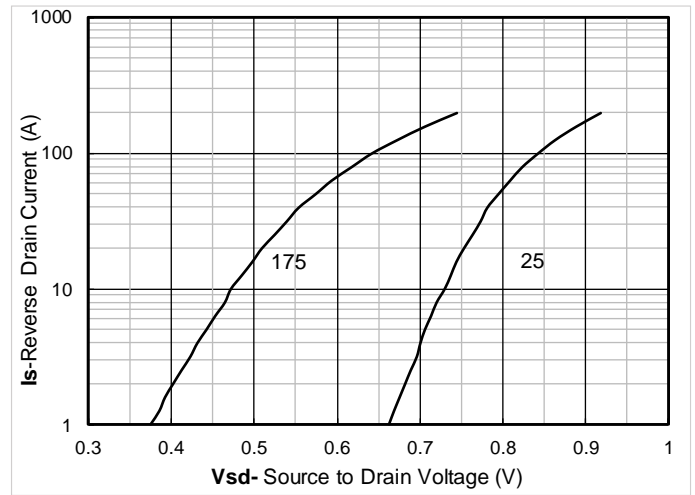


Figure 8. Forward characteristics of reverse diode

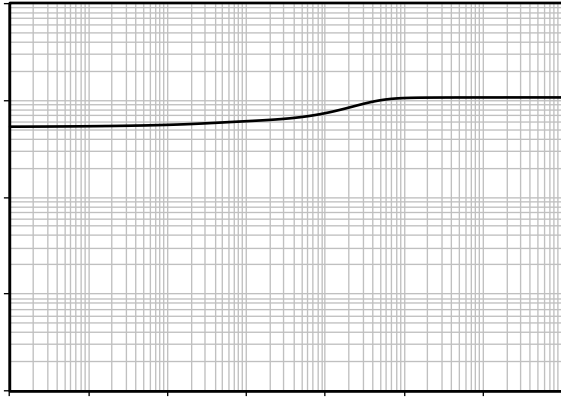


Figure 13. Maximum Transient Thermal Impedance

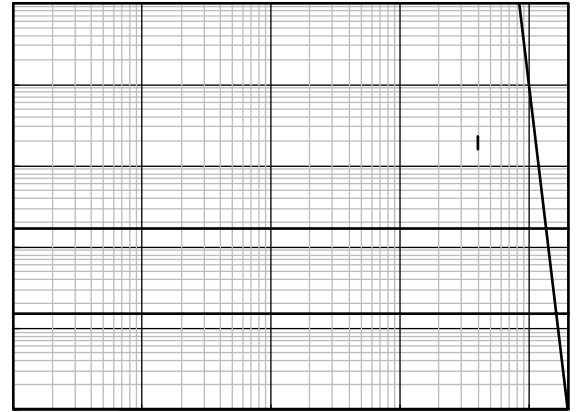


Figure 14. Safe Operation Area

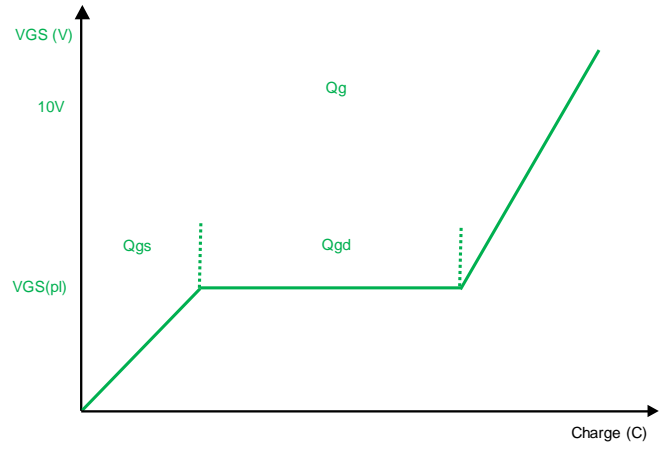
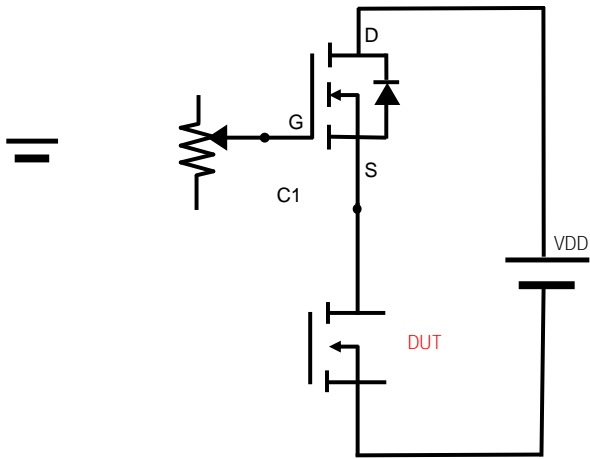
Test Circuit & Waveforms



Figure A. Unclamped Inductive Switching (UIS) Test Circuit & Waveform



YJG300G04HR



Figure



