



YJGD5D0G04HHQ

vElectrical Characteristics 7 XQOHVV RWKHUZZLV

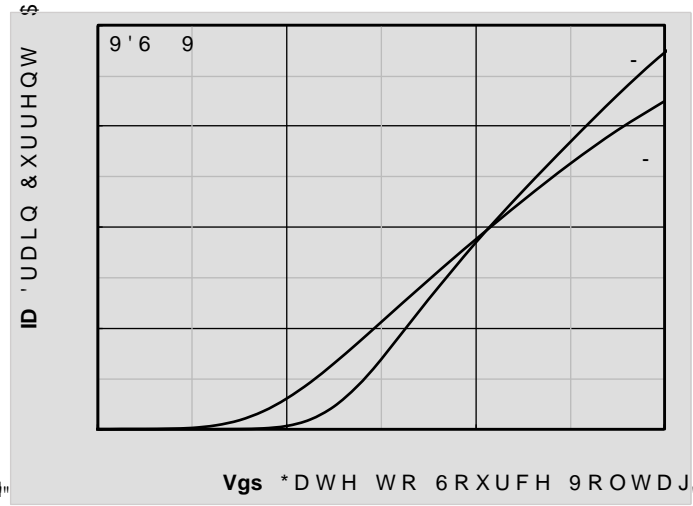
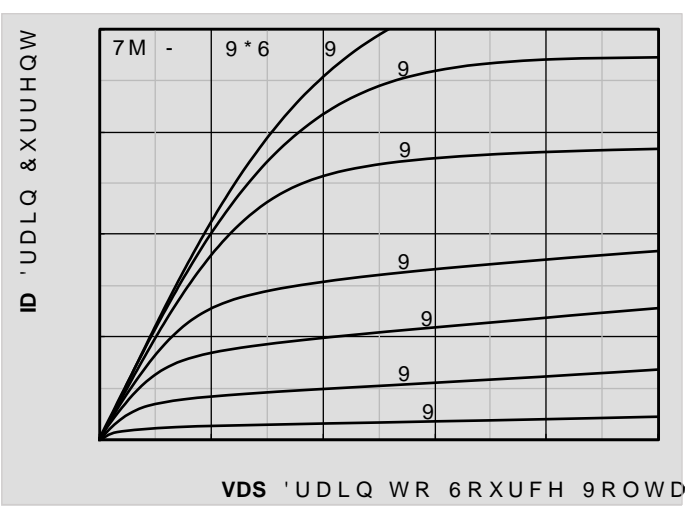
Parameter	Symbol	Conditions
Static Parameter		
'UDLQ 6RXUFH %UHDNGRZQ 9ROWDJH		9.6 9.0, \$
'UDLQ 6RXUFH %UHDNGRZQ 9ROWDJH		9.6 9.0, P\$
=HUR *DWH 9ROWDJH 'UDLQ &XUUHQW		9.6 9.0 9.0
=HUR *DWH 9ROWDJH 'UDLQ &XUUHQW		9.6 9.0 9.0 7M -
*DWH %RG\ /HDNDJH &XUUHQW		9.6, " 9.0 9.0
*DWH 7KUHVKROG 9ROWDJH		9.6 9.0, \$
6WDWLF 'UDLQ 6RXUFH 2Q 5HVWVWDQFH		9.6 9.5, \$
'LRGH)RUZDUG 9ROWDJH		9.6 \$ 9.0
*DWH UHVLVWDQFH		5 0+]
OD[LXPX %RG\ 'LRGH &RQWLQXRXV &XUUHQW		
Dynamic Parameters		
,QSXW &DSDFLWDQFH	LVV	&
2XWSXW &DSDFLWDQFH	RVV	9.6 & 9.0 9.0 0+]
5HYHUVH 7UDQVIHU &DSDFLWDQFH		&
Switching Parameters		
7RWDO *DWH &KDUJH	J	4
*DWH 6RXUFH &KDUJH	JV	9.6 9.0 9.0, \$
*DWH 'UDLQ &KDUJH	JG	4
5HYHUVH 5HERYHU\ &KDUJH		4

	Max	Units
		9
		9
		\$
	"	Q\$
		\$
		S)
		Q&
		Q&

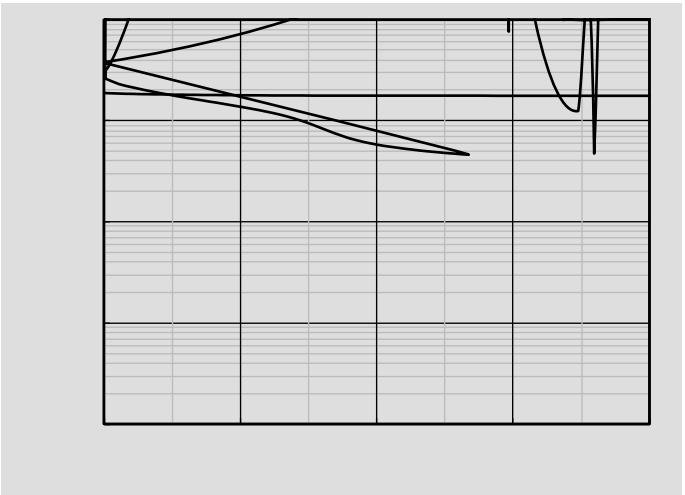


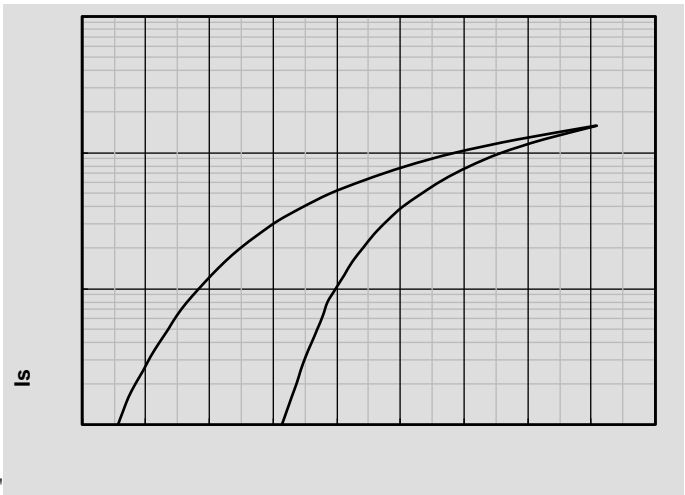
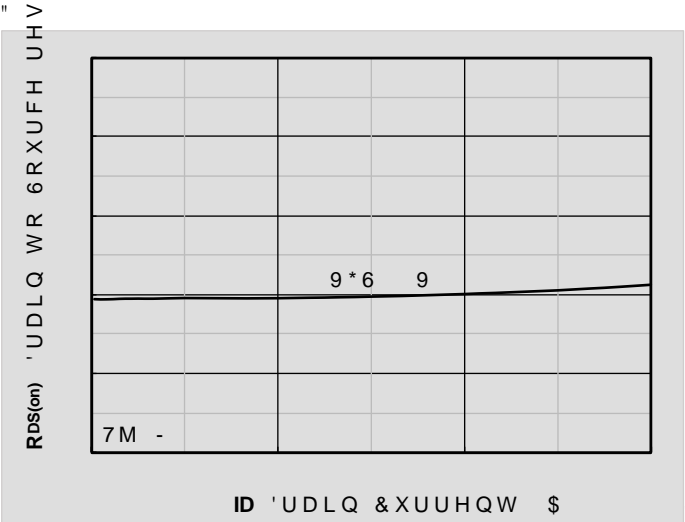
YJGD5D0G04HHQ

Typical Electrical and Thermal Characteristics Diagrams



)LJXUH 2XWSXW & KDUDFWWHULVWLFV)LJXUH 7UDQVIHU & KD





YJGD5D0G04HHQ

"

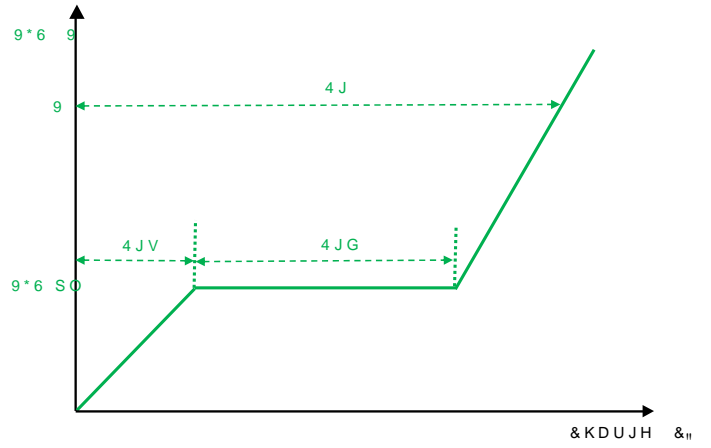
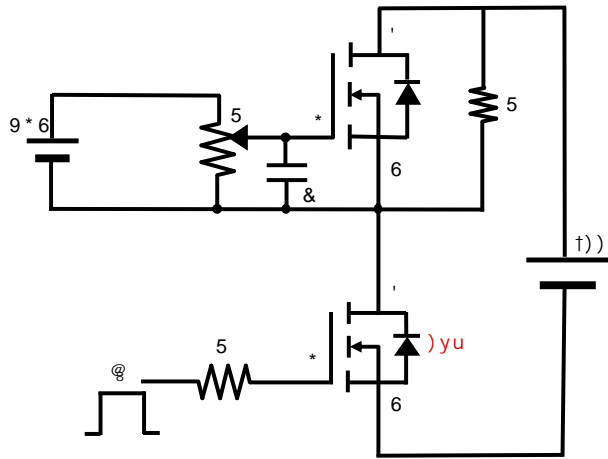
"

"

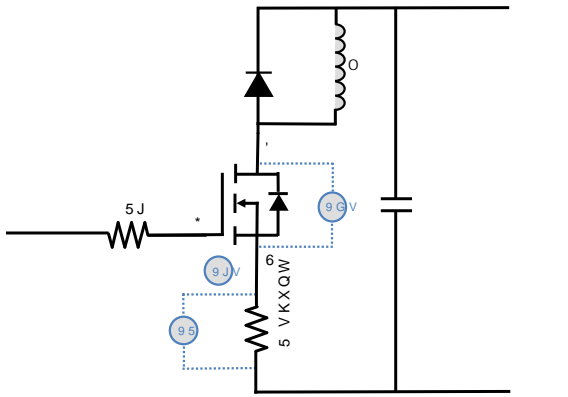
"



YJGD5D0G04HHQ



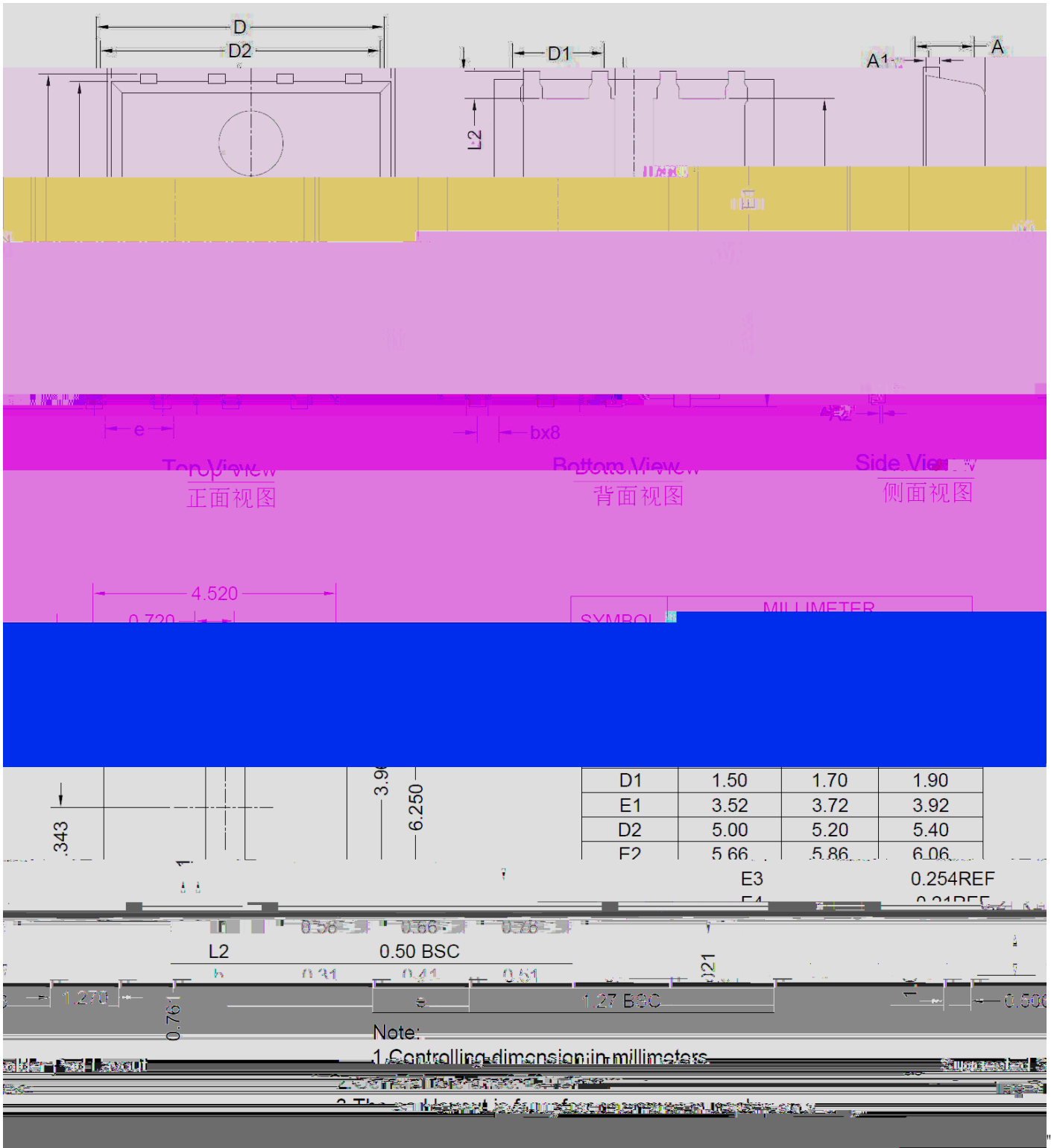
)LJXUH D%WH & KDUJHU F%VW & :DYHIRUP





YJGD5D0G04HHQ

vPDFN5060-8L-E-1.1mm Package information





YJGD5D0G04HHQ

Disclaimer

7KH LQIRUPDWLRQ SUHVHQWHG LQ WKLV <DQJJKRX > QVMIHQ (WHIHWHUHQHFRQFHQRQ
ULJKW WR PDNH FKDQJH RU ZWLVKRXSWKHQRSAURVGLXFEQRIGWVSOD\HG KHUHLQ WRGLHPSLUJRY
RWKHU ZLVH

7KH SURGXFW OLVWJGHGHWHULHQ LHV BSHZLWKF WXURRERWIDYRUQRWHGLQVPHGH FDO OLIH
VDYLQJ OLIVXVWDLQDQJMRH RUODQDQRDQXIPMVQRKURVLSHQQLWLRW\QRWGPDUH
VXFK LPSURSHU XVH RI VDOH

7KLV SXEOLFDFWRQ SVKSHHWIDQVLRQURQPDVXLSRQLSHGHYRURXDGGLRQLRSDODVLRWVHJLWWRSX
[ZZZ \DQJMLHRFRPRQVXOW \RXUH QHDFHWRBIDQJMKWDOFH](#)