



**YJT1D4G04AJ**



# YJT1D4G04AJ

## Typical Electrical and Thermal Characteristics Diagrams

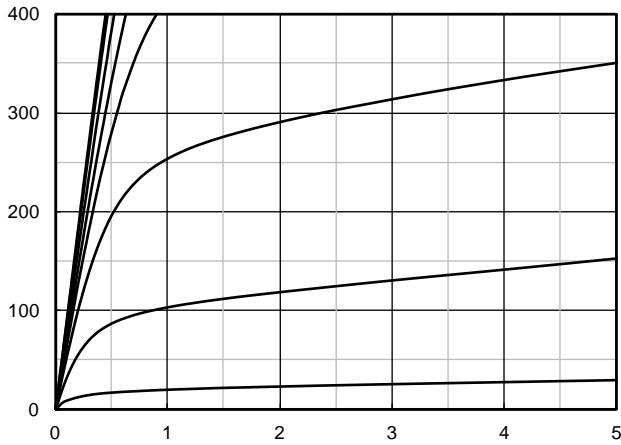


Figure 1. Output Characteristics

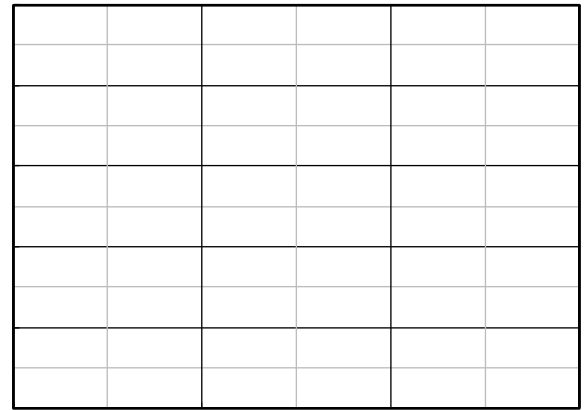
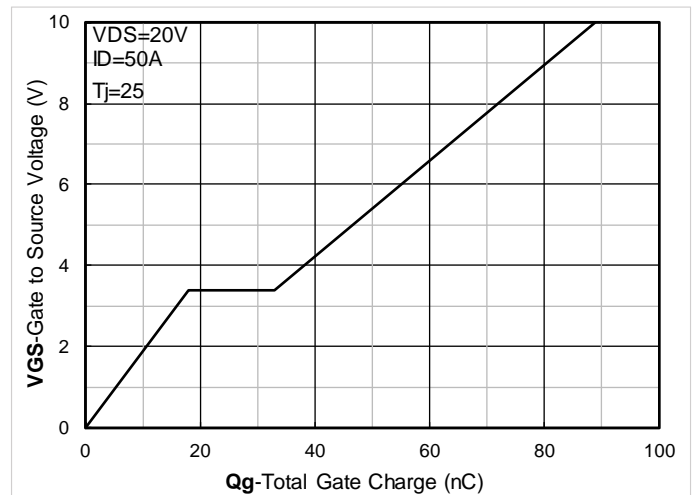
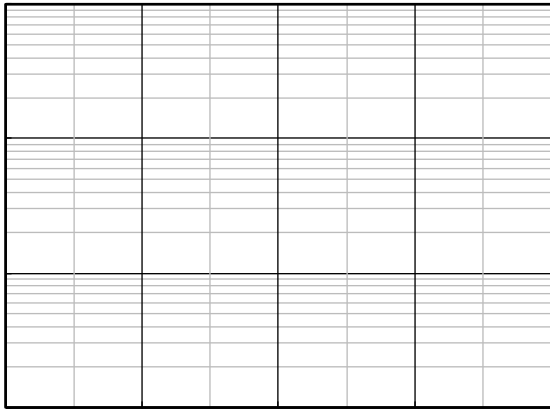


Figure 2. Transfer Characteristics





# YJT1D4G04AJ

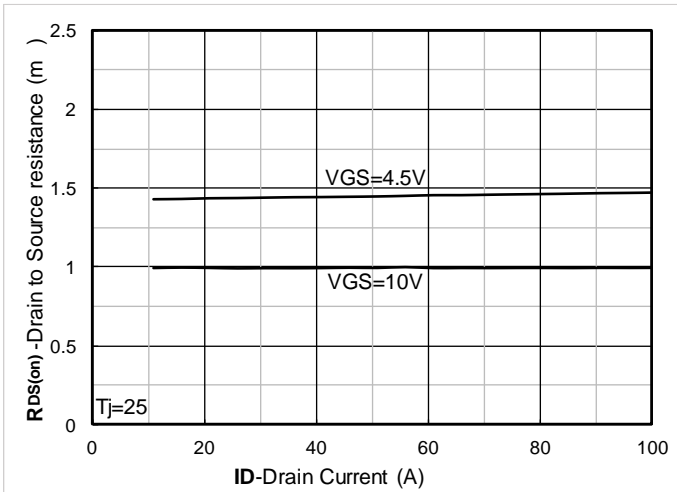


Figure 7. RDS(on) VS Drain Current

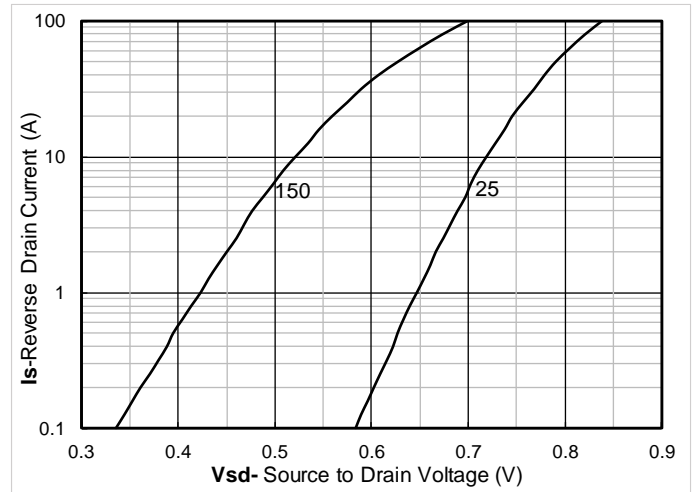


Figure 8. Forward characteristics of reverse diode

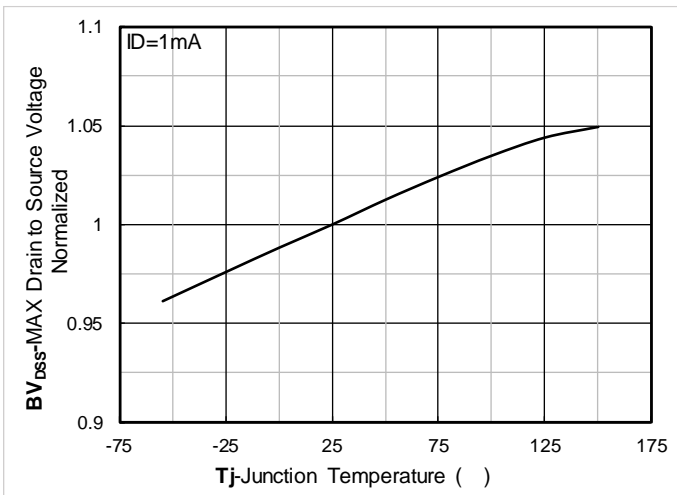


Figure 9. Normalized breakdown voltage

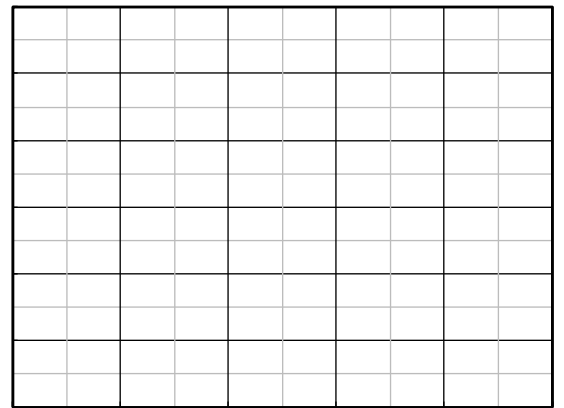


Figure 10. Normalized Threshold voltage

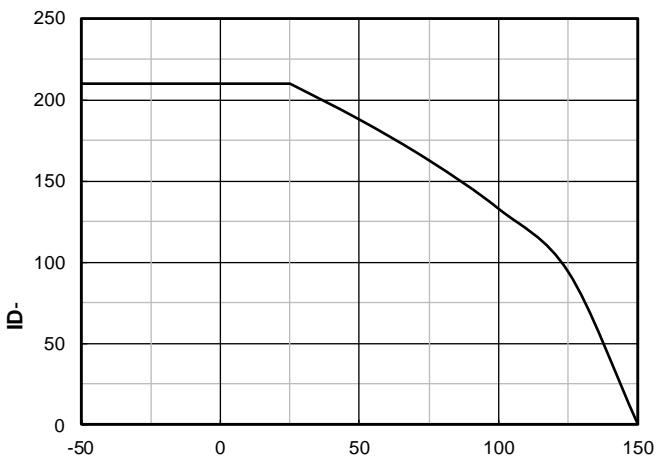


Figure 11. Current dissipation

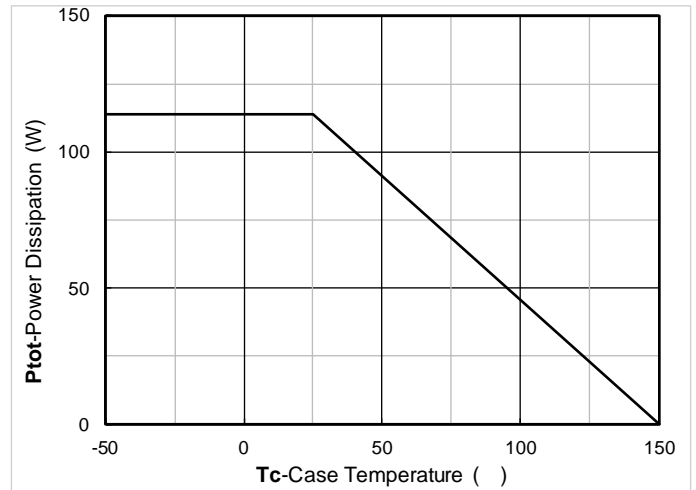


Figure 12. Power dissipation



# YJT1D4G04AJ

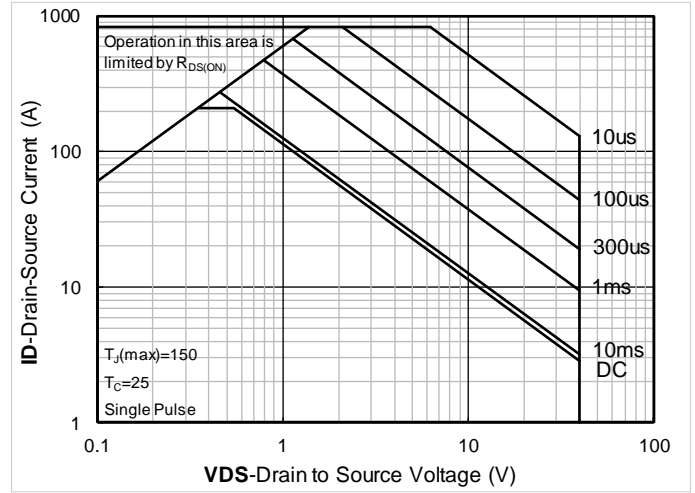
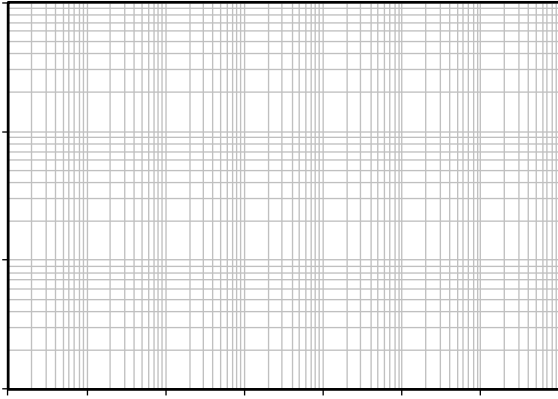


Figure 13. Maximum Transient Thermal Impedance

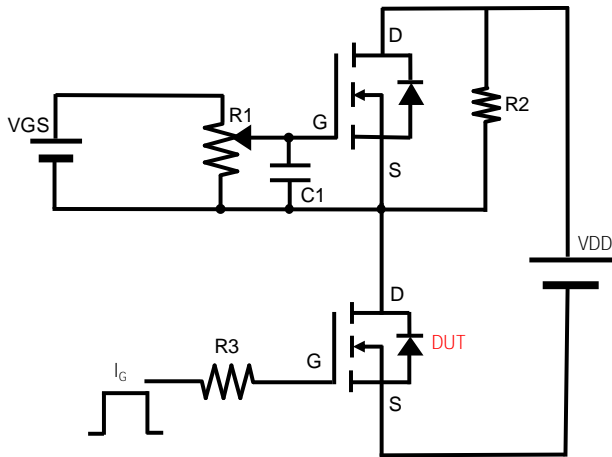


Figure B. Gate Charge Test Circuit & Waveform

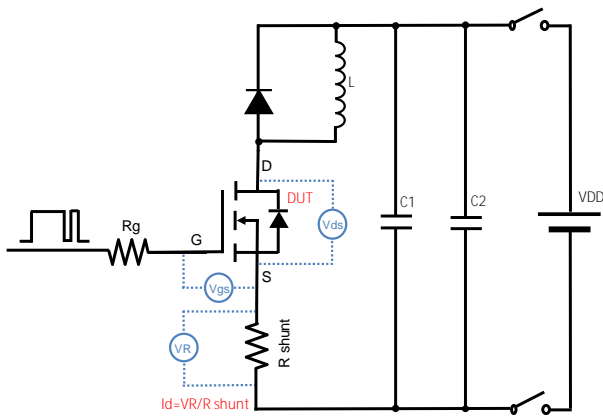


Figure C. Resistive Switching Test Circuit & Waveform

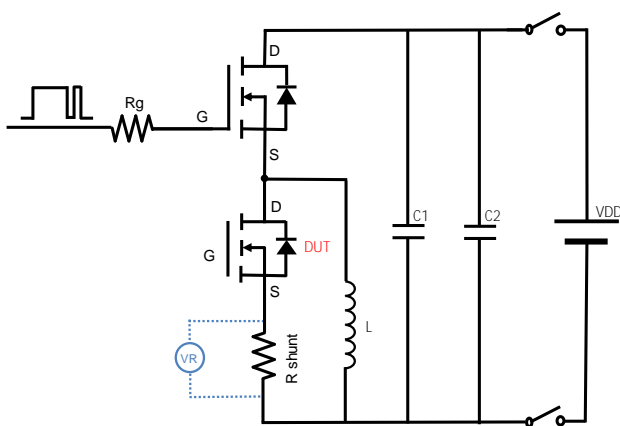


Figure D. Diode Recovery Test Circuit & Waveform



# YJT1D4G04AJ

## TOLL Package information

SYMBOL	MILLIMETER		
	MIN	NOM	MAX
A	2.2	2.3	2.4
A1	1.7	1.8	1.9
b	0.7	0.8	0.9
b1	9.7	9.8	9.9
b2	1.1	1.2	1.3
c	0.4		

Note:

1. Controlling dimension: in millimeters.
2. General tolerance:  $\pm 0.03\text{mm}$ .
3. The pad layout is for reference purposes only.

SUGGESTED SOLDER PAD LAYOUT  
TOP VIEW



# YJT1D4G04AJ

---

## Disclaimer

The information presented in this document is for reference only. Yangzhou Yangjie Electronic Technology Co., Ltd. reserves the right to make changes without notice for the specification of the products displayed herein to improve reliability, function or design or otherwise.

The product listed herein is designed to be used with ordinary electronic equipment or devices, and not designed to be used with equipment or devices which require high level of reliability and the malfunction of which would directly endanger human life (such as medical instruments, transportation equipment, aerospace machinery, nuclear-reactor controllers, fuel controllers and other safety devices), Yangjie or anyone on its behalf, assumes no responsibility or liability for any damages resulting from such improper use of sale.

This publication supersedes & replaces all information previously supplied. For additional information, please visit our website <http://www.21yangjie.com> , or consult your nearest Yangjie's sales office for further assistance.