

Human Body Model HBM

UNIT	V _{ESD}	KV	10

Note1 Non-repetitive current pulse 8/20 μs exponential decay waveform according to IEC 61000-4-5.



ESDLIN1524D3Q

Electrical Characteristics (Ta=25 unless otherwise noted)

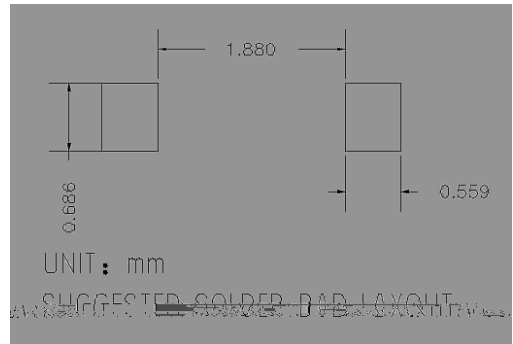
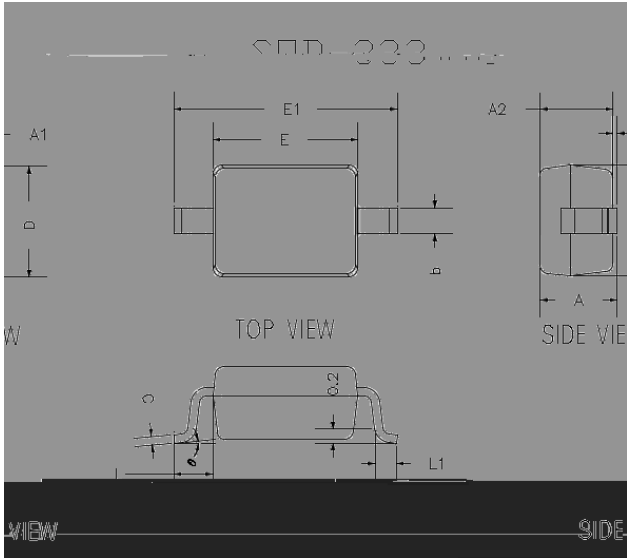
Item	Symbol	Unit		Min	Typ	
Reverse Working Voltage	V_{RWM}	V	Pin1 to Pin2 (15V)	-		15
			Pin2 to Pin1 (24V)			24
Reverse Breakdown Voltage	V_{BR}	V	$I_T=1mA$ Pin1 to Pin2 (15V)	17.1		20.3
			$I_T=1mA$ Pin2 to Pin1 (24V)	25.4		30.3
Reverse Leakage Current	I_R	nA	$V_{RWM}=15V$ Pin1 to Pin2 (15V)	-		50
			$V_{RWM}=24V$ Pin2 to Pin1 (24V)	-		50
Clamping Voltage (8/20us Pulse)	V_C	V	$I_{PP}=1A$ Pin1 to Pin2 (15V)	-		25
			$I_{PP}=5A$ Pin1 to Pin2 (15V)	-		35
	V_C	V	$I_{PP}=1A$ Pin2 to Pin1 (24V)	-		40
			$I_{PP}=3A$ Pin2 to Pin1 (24V)	-		50
Junction Capacitance	C_j	pF	$V_{BR}=0V$ $f=1MHZ$ Pin1 to Pin2 (15V)	-		30
			$V_{BR}=0V$ $f=1MHZ$ Pin2 to Pin1 (24V)	-		30

Ordering Information



ESDLIN1524D3Q

Outline Dimensions



DIMENSIONS				
DIM	INCHES		MM	
	MIN	MAX	MIN	MAX
A	---	0.0030	---	0.0030
A1	0.0000	0.0039	0.0000	0.0030
A2	0.0314	0.0354	0.8000	0.9000
b	0.0098	0.0157	0.2500	0.4000
φ	0.0078	0.0089	0.0080	0.0150
φ-D	0.0072	0.0051	1.2000	1.4000
E (TYP)	0.0629	0.0729	1.6025	1.8070
E1	0.0984	0.1063	2.5000	2.7000
L	0.0187 TYP		0.475 TYP	
L1	0.0098	0.0157	0.250	0.400
θ	0°	8°	0°	8°

Marking Information



Note:

1. All marking is at middle of the product body
2. All marking is in laser marking
3. AM is Marking Code
4. Body color: Black

