

# 8AAH' -\$(E'

.....8 i U`BDB`G a U``G][ bU`HfUbg]ghcf`



: YUh i fYg`

- Epoxy meets UL-94 V-0 flammability rating
- Moisture Sensitivity Level 1
- Surface mount package ideally Suited for Automatic Insertion
- Reduces number of components and board space
- Part no. with suffix "Q" means AEC-Q101 qualified

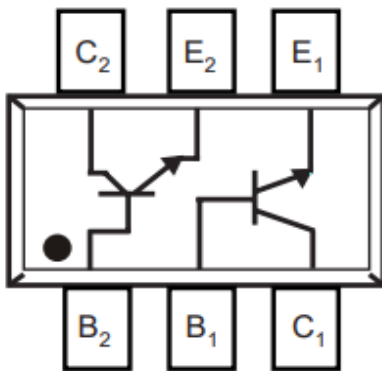
5dd`]WUh]cb`

General-purpose switching and amplification

AYW\Ub]WU` 8UhU`

- DUW\_U[Y. SOT-363
- HYf a ]bU`g. Tin plated leads, solderable per J-STD-002 and JESD22-B102
- AUf\_]b[. `K4A`

9e i ]jU`Ybh`W]fw i ]h`



CfXYf]b[ `:-bzcf a Uh]cb (Example)

DF9: 9F98`D#B`	D57?=:B; 7C89`	IB-H`K9=: <Hfl[L`	A=B=A I A` D57?5; 9fidWgt`	-BB9F`6CL` E I 5BH-HMfidWgt`	C I H9F`75FHCB` E I 5BH-HMfidWgt`	89@=:J9FM`AC89`
DMMT3904Q	F2	Approximate 0.009g	3000	30000	120000	7" reel



# 8AAH' -\$(E'

**AUI]a i a 'FUh]b [g' (Ta=25 Unless otherwise specified**

hY a'	Gma Vc''	I b]h'	JU' iY'
Collector-Base Voltage	V <sub>CBO</sub>	V	60
Collector-Emitter Voltage	V <sub>CEO</sub>	V	40
Emitter-Base Voltage	V <sub>EBO</sub>	V	5
Collector Current	I <sub>C</sub>	mA	200
Power Dissipation (*)	P <sub>D</sub>	mW	200
Junction Temperature	T <sub>j</sub>		-55 to +150
Storage Temperature	T <sub>stg</sub>		-55 to +150

(\*) Device mounted on FR-4 PCB 1.0 x 1.0 x 0.06 inch

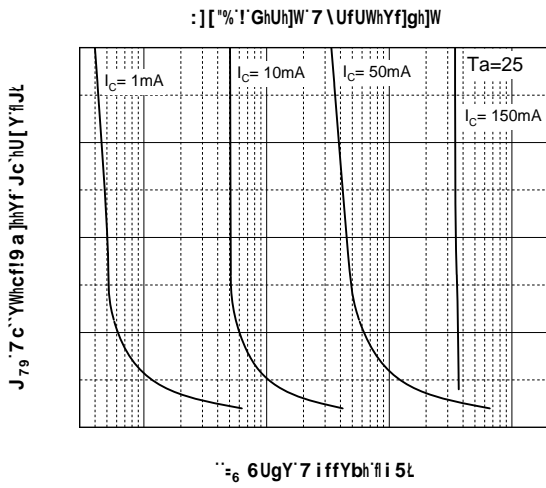
**9`YWhf]WU`7 \UfUWhYf]gh]Wg (Ta=25 unless otherwise specified)**

hY a'	Gma Vc''	I b]h'	7cbX]h]cbg'	A]b'	HMD'	AUI'
Collector-base breakdown voltage	V <sub>CBO</sub>	V	I <sub>C</sub> =10μA, I <sub>E</sub> =0	60	-	-
Collector-emitter breakdown voltage	V <sub>CEO</sub>	V	I <sub>C</sub> =1mA, I <sub>B</sub> =0	40	-	-
Emitter-base breakdown voltage	V <sub>EBO</sub>	V	I <sub>E</sub> =10μA, I <sub>C</sub> =0	5	-	-
Base Cutoff Current	I <sub>BL</sub>	nA	V <sub>CE</sub> =30V, V <sub>EB(OFF)</sub> =3V	-	-	50
Collector Cutoff Current	I <sub>CEX</sub>	nA	V <sub>CE</sub> =30V, V <sub>EB(OFF)</sub> =3V	-	-	50
DC current gain	h <sub>FE1</sub>		V <sub>CE</sub> =1V, I <sub>C</sub> =0.1mA	40	-	-
	h <sub>FE2</sub>		V <sub>CE</sub> =1V, I <sub>C</sub> =1mA	70	-	-
	h <sub>FE3</sub>		V <sub>CE</sub> =1V, I <sub>C</sub> =10mA	100	-	300
	h <sub>FE4</sub>		V <sub>CE</sub> =1V, I <sub>C</sub> =5 mA	3	-	-



# 8AAH' -\$(E'

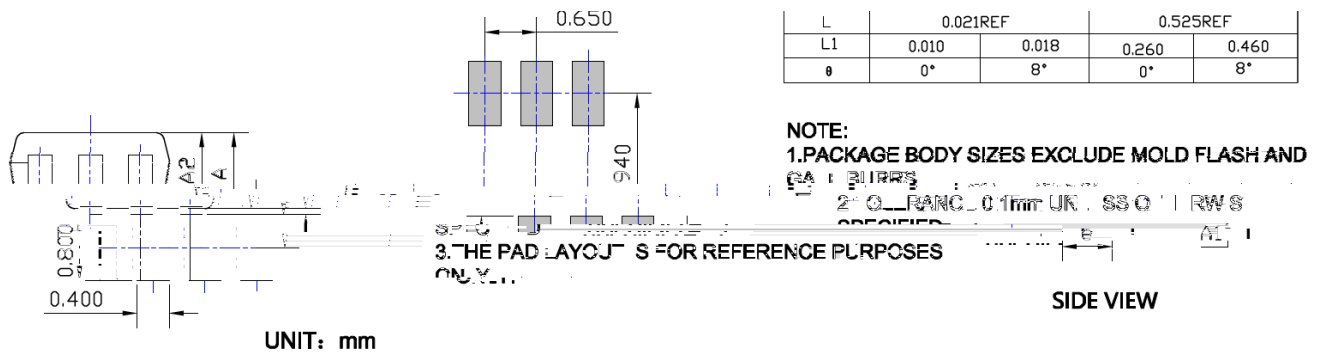
7 \UfUWhYf]gh]Wg (Typical)





# 8AAH' -\$(E'

GCH!' \* ' 'DUW\_U[Y'C i h`]bY'8]a Ybg]cbg' / 'Gi [ [YghYX'DUX'@Umc i h'



## SUGGESTED SOLDER PAD LAYOUT



## 8AAH' -\$(E'

---

8]gW'U]a Yf'

The information presented in this document is for reference only. Yangzhou Yangjie Electronic Technology Co., Ltd. reserves the right to make changes without notice for the specification of the products displayed herein to improve reliability, function or design or otherwise.

The product listed herein is designed to be used with automotive electronics are not designed for use in medical, life-saving, lifesustaining, or military, Yangjie or anyone on its behalf, assumes no responsibility or liability for any damages resulting from such improper use of sale.

This publication supersedes & replaces all information previously supplied. For additional information, please visit our website [http:// www.21yangjie.com](http://www.21yangjie.com) , or consult your nearest Yangjie's sales office for further assistance.