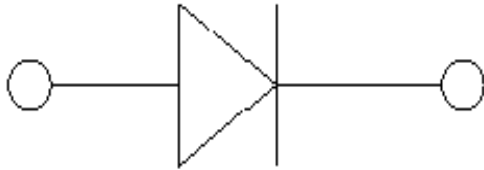
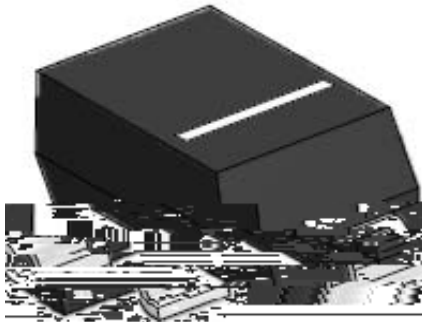


High Speed Switching Diode



Features

V_R 75V
 I_{FAV} 250mA

Typical Applications

Extreme fast switches

Mechanical Data

Package: SOD323

Terminals: Tin plated leads, solderable per J-STD-002 and JESD22-B102

Polarity: Cathode line denotes the cathode end

Marking: T5

Maximum Ratings ($T_a=25$ Unless otherwise specified)

PARAMETER	SYMBOL	UNIT	Conditions	VALUE
DC Blocking Voltage	V_R	V	$I_R=100\mu A$	75
Peak forward surge current	I_{FSM}	A	$t_p=1\mu s$	2
Average forward current	I_{FAV}	mA		250

Power dissipation á 5 M -55 to +150

--	--	--	--	--

Electrical Characteristics ($T_a=25$ Unless otherwise specified)

PARAMETER	SYMBOL	UNIT	Conditions	VALUE
Maximum Forward voltage	V_F	V	$I_F=5.0mA$	0.720
			$I_F=10mA$	0.855
			$I_F=100mA$	1
			$I_F=150mA$	1.25
Maximum Reverse current	IR	nA	$V_R=20V$	25
		μA	$V_R=25V, T_J=150$	30
		nA	$V_R=75V$	200
		μA	$V_R=75V, T_J=150$	50
Minimum Breakdown voltage	V_R	V	$I_R=1\mu A$	75
Maximum Diode capacitance	C_D	pF	$V_R=V_F=0V, f=1MHz$	4
Maximum Reverse recovery time	t_{rr}	ns	$I_F=10mA, I_{rr}=0.1I_R, R_L=100$	4

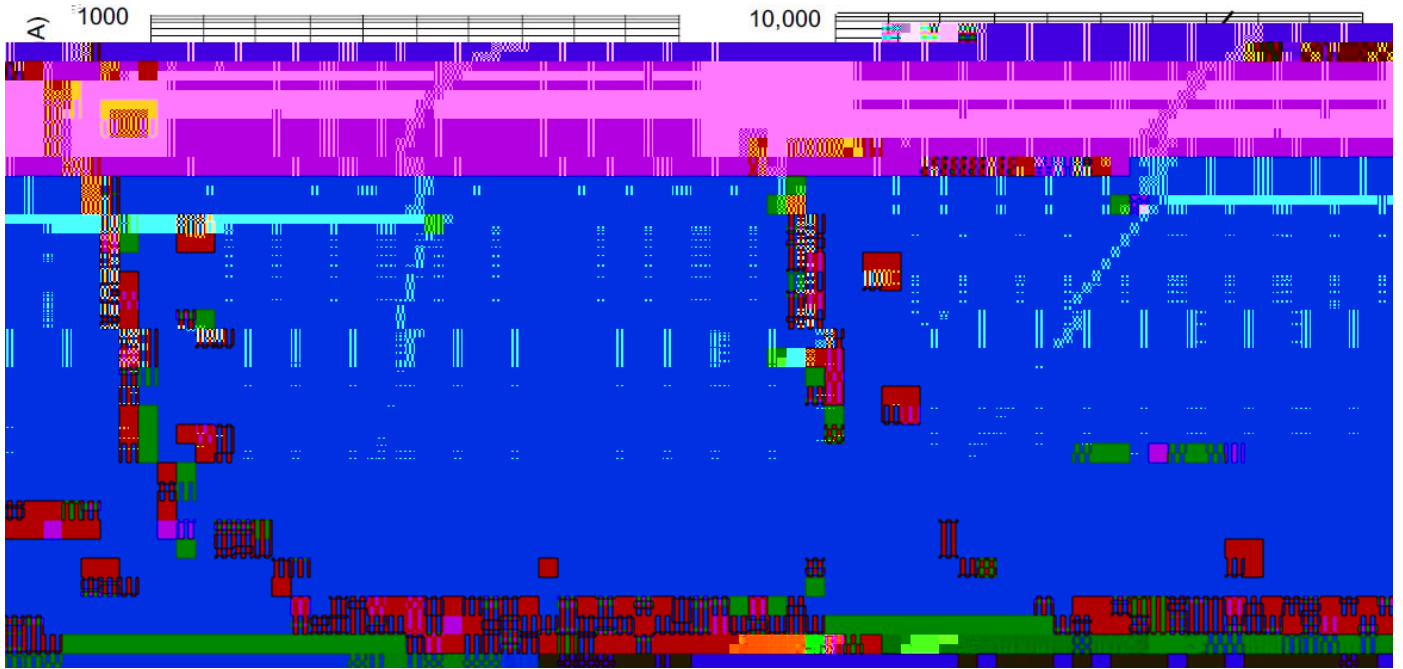


1N4448WS

Ordering Information (Example)

PREFERED P/N	PACKING CODE	UNIT WEIGHT(g)	MINIMUM PACKAGE(pcs)	INNER BOX QUANTITY(pcs)	OUTER CARTON QUANTITY(pcs)	DELIVERY MODE
1N4448WS	F2	Approximate 0.0048	3000	30000	120000	7" reel

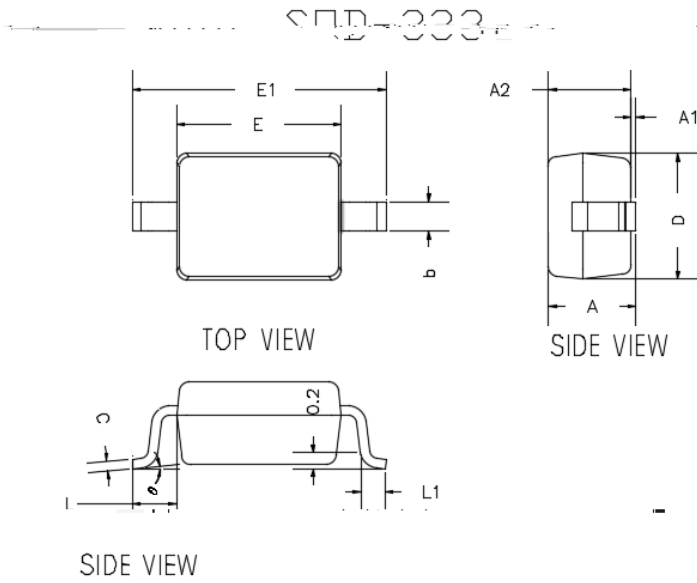
Characteristics (Typical)





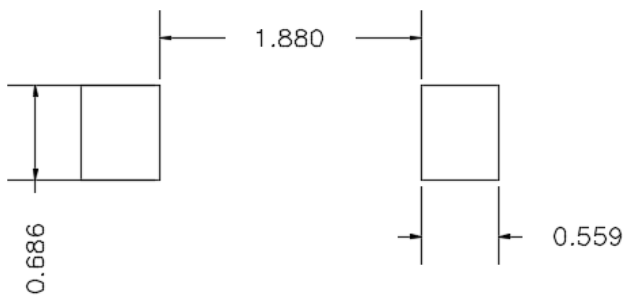
1N4448WS

Outline Dimensions



DIM	DIMENSIONS			
	INCHES		MM	
	MIN	MAX	MIN	MAX
A	---	0.0393	---	1.0000
A1	0.0000	0.0039	0.0000	0.1000
A2	0.0314	0.0354	0.8000	0.9000
b	0.0098	0.0157	0.2500	0.4000
D	0.0074	0.0083	0.0059	0.0800
E	0.0472	0.0551	1.2000	1.4000
E1	0.0629	0.0709	1.6000	1.8000
L	0.0187 TYP		0.475 TYP	
L1	0.0098	0.0157	0.250	0.400
e	c*	8*	c*	8*

Soldering Footprint



UNIT: mm

~~SUGGESTED SOLDER PAD LAYOUT~~



1N4448WS

Disclaimer

The information presented in this document is for reference only. Yangzhou Yangjie Electronic Technology Co., Ltd. reserves the right to make changes without notice for the specification of the products displayed herein to improve reliability, function or design or otherwise.

The product listed herein is designed to be used with ordinary electronic equipment or devices, and not designed to be used with equipment or devices which require high level of reliability and the malfunction of which would directly endanger human life (such as medical instruments, transportation equipment, aerospace machinery, nuclear-reactor controllers, fuel controllers and other safety devices), Yangjie or anyone on its behalf, assumes no responsibility or liability for any damages resulting from such improper use of sale.

This publication supersedes & replaces all information previously supplied. For additional information, please visit our website [http:// www.21yangjie.com](http://www.21yangjie.com) , or consult your nearest Yangjie's sales office for further assistance.