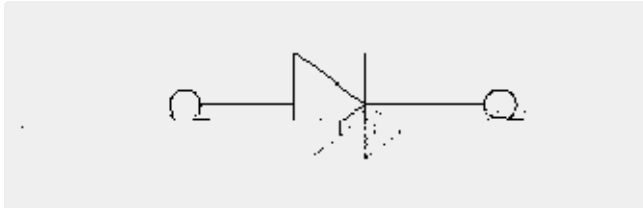


V_R 100V
 I_{FAV} 250mA

Extreme fast switches



: SOD323
: Tin plated leads, solderable per
J-STD-002 and JESD22-B102
Cathode line denotes the cathode end
A6

($T_a=25$ Unless otherwise specified)

Repetitive peak reverse voltage	V_{RRM}	V		100
Peak forward surge current	I_{FSM}	A	$t_p=300\mu s$	2
Average forward current	I_{FAV}	mA		250
Power dissipation	P_{tot}	mW		200
Thermal Resistance	R_{thJA}	K/W		625
Maximum junction temperature	T_j			-55 to +150
Storage temperature range	T_{stg}			-55 to +150

$T_a=25$ Unless otherwise specified

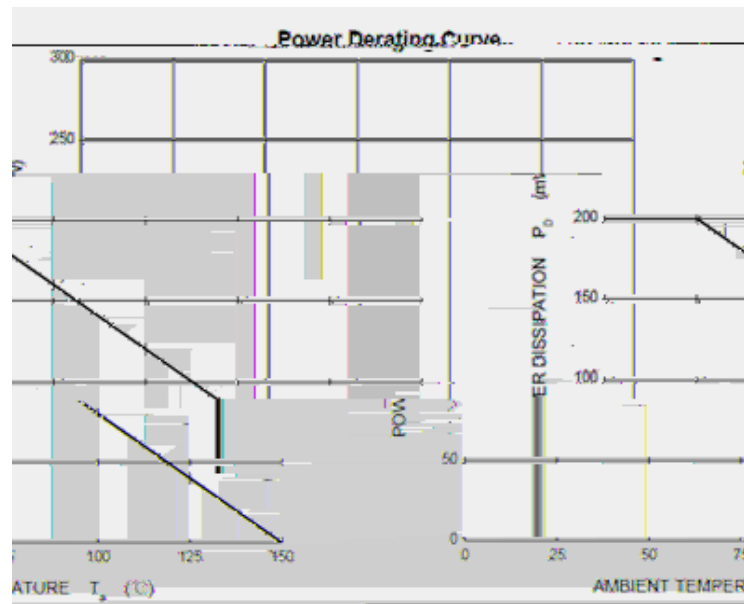
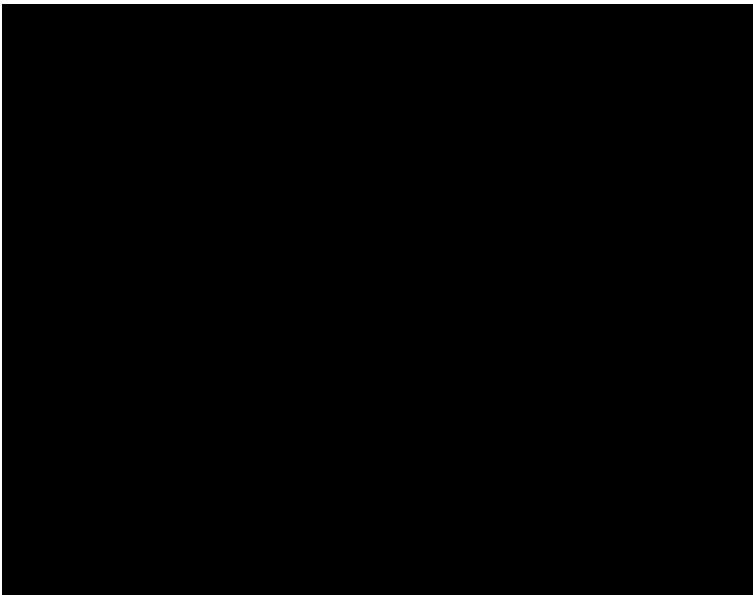
Maximum Forward voltage	VF	V	$I_F=1mA$		0.715
			$I_F=10mA$		0.855
			$I_F=50mA$		1.00
			$I_F=150mA$		1.25
Maximum Reverse current	IR	nA	$V_R=20V$		25
	IR	μA	$V_R=75V$		1.0
Minimum Breakdown voltage	V_R	V	$I_R=100\mu A$	100	
Maximum Diode capacitance	C_D	pF	$V_R=V_F=0V, f=1MHz$		4
Maximum Reverse recovery time	t_{rr}	ns	$I_F=10mA, V_R=6V, I_{rr}=1mA, R_L=100$		4

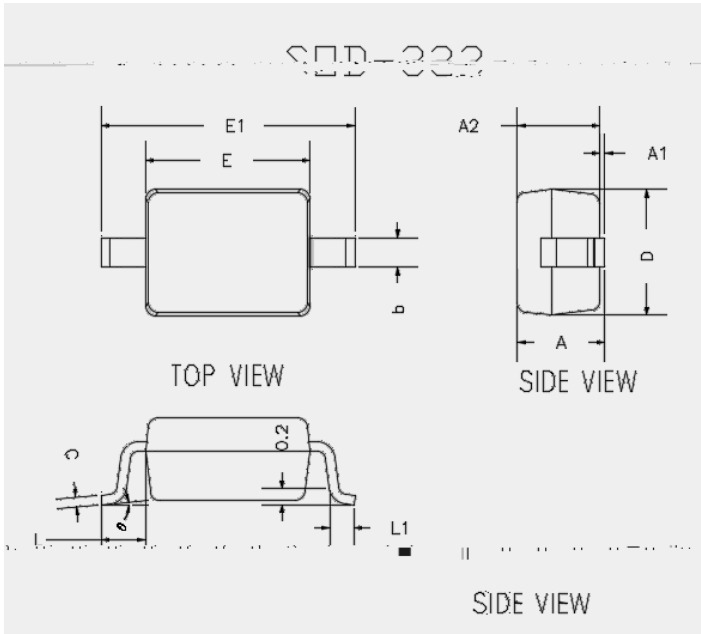


(Example)

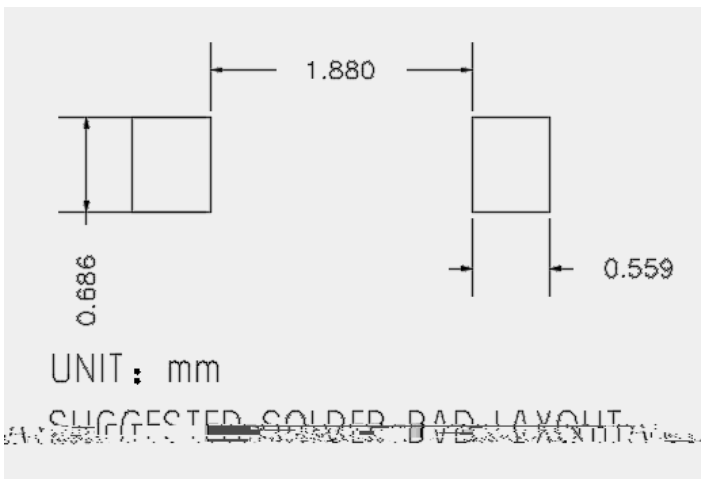
BAS316	F2	Approximate 0.0048	3000	30000	120000	7" reel
--------	----	--------------------	------	-------	--------	---------

(Typical)





DIMENSIONS				
DIM	INCHES		MM	
	MIN	MAX	MIN	MAX
A	---	0.0393	---	1.0000
A1	0.0000	0.0039	0.0000	0.1000
A2	0.0314	0.0354	0.8000	0.9000
b	0.0098	0.0157	0.2500	0.4000
0.8003	0.0059	0.0860	0.1500	0.3500
0.0472	0.0551	1.2000	1.4000	---
0.0629	0.0709	1.6000	1.8000	E III
0.0964	0.1063	2.5000	2.7000	E1
0.0187 TYP		0.475 TYP		L
0.0098	0.0157	0.250	0.400	L1
C*	8*	C*	8*	e





The information presented in this document is for reference only. Yangzhou Yangjie Electronic Technology Co., Ltd. reserves the right to make changes without notice for the specification of the products displayed herein to improve reliability, function or design or otherwise.

The product listed herein is designed to be used with ordinary electronic equipment or devices, and not designed to be used with equipment or devices which require high level of reliability and the malfunction of which would directly endanger human life (such as medical instruments, transportation equipment, aerospace machinery, nuclear-reactor controllers, fuel controllers and other safety