



MMBD7000

Dual Switching Diode

	FSM
Power Dissipation	P _D
Maximum Thermal Resistance	R _{thJA}
Operating Junction Temperature	T _J
Storage Temperature	T _{STG}

Features

- Epoxy meets UL-94 V-0 flammability rating
- Moisture Sensitivity Level 1
- Fast switching speed
- High Conductance
- Surface mount package
- Insertion

Ordering Information (Example)

PREFERRED P/N	PACKING CODE	UNIT WEIGHT(g)	M PAC
MMBD7000	F2	Approximate 0.008	

Mechanical Data

- Package:** SOT-23
- Terminals:** Tin plated leads, solderable per J-STD-002 and JESD22-B102
- Polarity:** Cathode line denotes the cathode end
- Marking:** M5C

Maximum Ratings (Ta=25 - Unless otherwise specified)

Item	Symbol	Unit
------	--------	------



MMBD7000

Electrical Characteristics $T_a=25^\circ\text{C}$ - Unless otherwise specified, Per Leg A

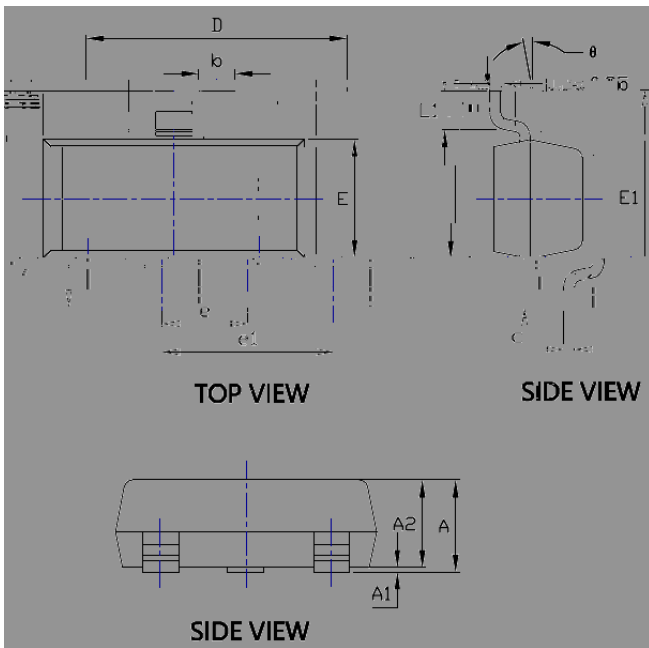
Item	Symbol	Unit	Conditions	Min	Max
Reverse Voltage	V_R	V	$I_R=100\mu\text{A}$	100	
Forward Voltage	V_F	V	$I_F=1\text{mA}$	0.55	0.7
			$I_F=10\text{mA}$	0.67	0.82

I_F



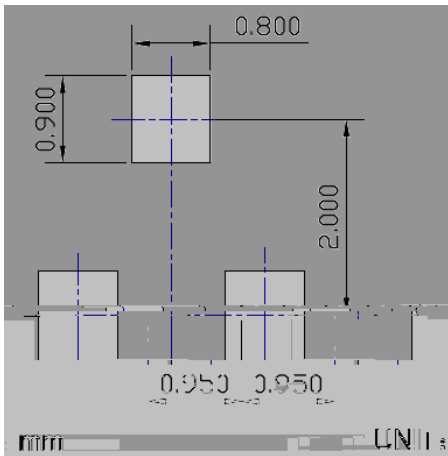
MMBD7000

SOT-23 Package Outline Dimensions



SYMBOL	DIMENSIONS	
	INCHES	Millimeter
D	0.039	0.99
b	0.016	0.41
E	0.018	0.46
$E1$	0.018	0.46
θ	0.018	0.46
$A1$	0.004	0.10
A	0.008	0.20
$A2$	0.008	0.20
e	0.037 TYP	0.94 TYP
$e1$	0.071	1.80
L	0.052 REF	1.33 REF
$L1$	0.012 REF	0.30 REF

SOT-23 Suggested Pad Layout





MMBD7000

Disclaimer

The information presented in this document is for reference only. Yangzhou Yangjie Electronic Technology Co., Ltd. reserves the right to make changes without notice for the specification of the products displayed herein to improve reliability, function or design or otherwise.

The product listed herein is designed to be used with ordinary electronic equipment or devices, and not designed to be used with equipment or devices which require high level of reliability and the malfunction of which would directly endanger human life (such as medical instruments, transportation equipment, aerospace machinery, nuclear-reactor controllers, fuel controllers and other safety devices), Yangjie or anyone on its behalf, assumes no responsibility or liability for any damages resulting from such improper use of sale.

This publication supersedes & replaces all information previously supplied. For additional information, please visit our website [http:// www.21yangjie.com](http://www.21yangjie.com) , or consult yM M es fi Yangjie s "