



V_R 100V
 I_{FAV} 200mA

Extreme fast switches

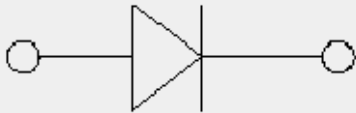
: SOD-123

: Tin plated leads, solderable per

J-STD-002 and JESD22-B102

Cathode line denotes the cathode end

5l



($T_a=25$ Unless otherwise specified)

Repetitive peak reverse voltage	V_{RRM}	V		100
Peak forward surge current	I_{FSM}	A	$t_p=1\mu s$	2
Average forward current	I_{FAV}	mA		200
Power dissipation	P_{tot}	mW		400
Thermal Resistance	R_{thJA}	/W		312
Maximum junction temperature	T_j			150
Storage temperature range	T_{stg}			-55 to +150

$T_a=25$ Unless otherwise specified

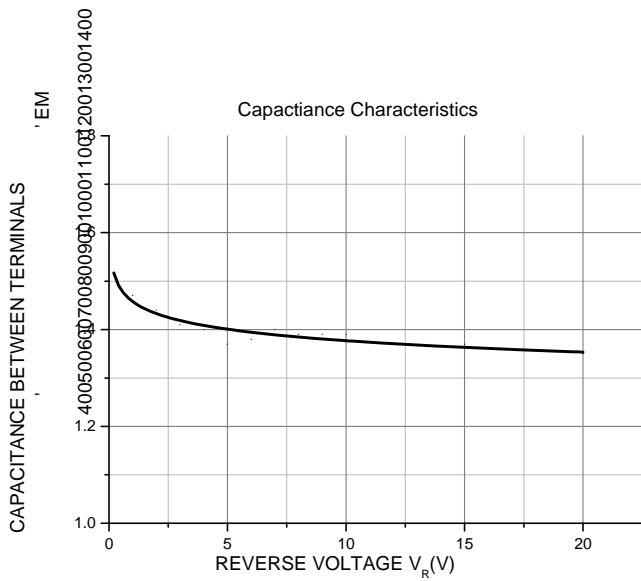
--	--	--	--	--

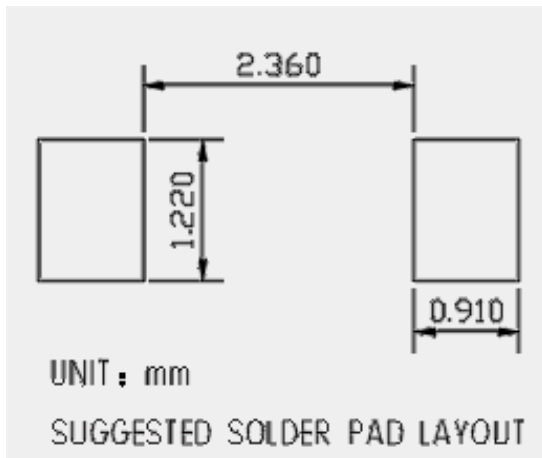
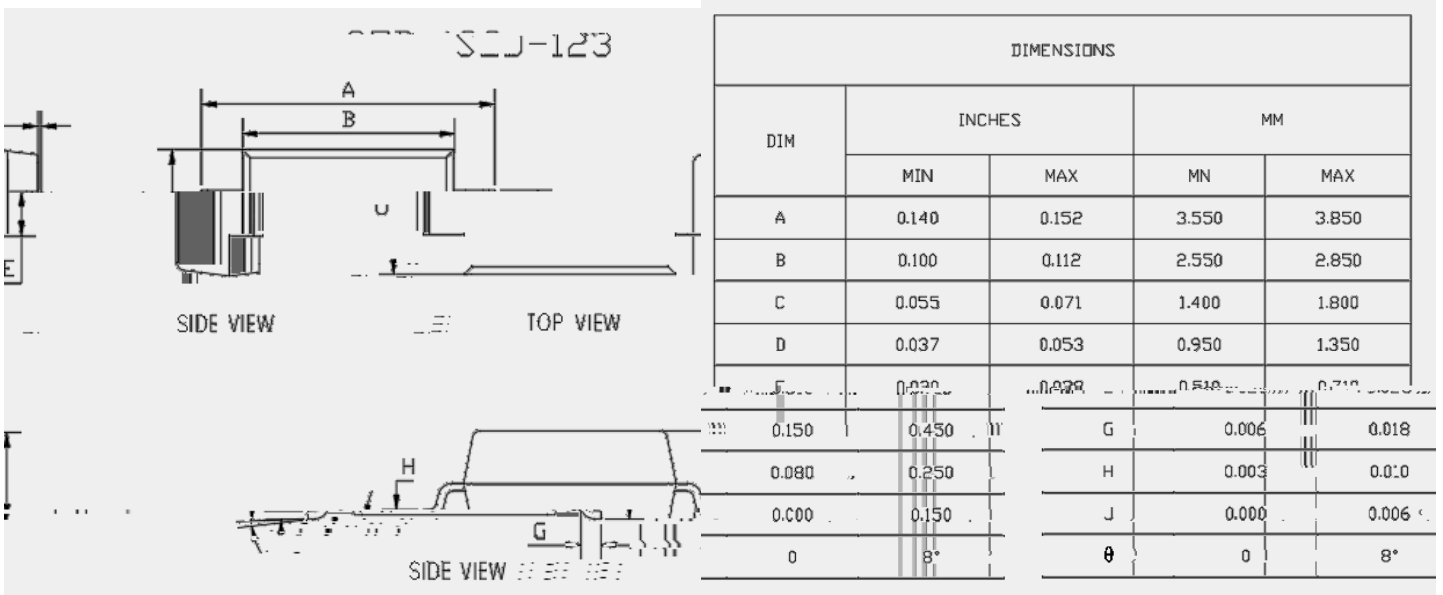


(Example)

MMSD4148	F2	Approximate 0.011	3000	30000	120000	7" reel

(Typical)







The information presented in this document is for reference only. Yangzhou Yangjie Electronic Technology Co., Ltd. reserves the right to make changes without notice for the specification of the products displayed herein to improve reliability, function or design or otherwise.

The product listed herein is designed to be used with ordinary electronic equipment or devices, and not designed to be used with equipment or devices which require high level of reliability and the malfunction of which would directly endanger human life (such as medical instruments, transportation equipment, aerospace machinery, nuclear-reactor controllers, fuel controllers and other safety devices), Yangjie or anyone on its behalf, assumes no responsibility or liability for any damages resulting from such improper use of sale.

This publication supersedes & replaces all information previously supplied. For additional information, please visit our website [http:// www.21yangjie.com](http://www.21yangjie.com) , or consult your nearest Yangjie's sales office for further assistance.