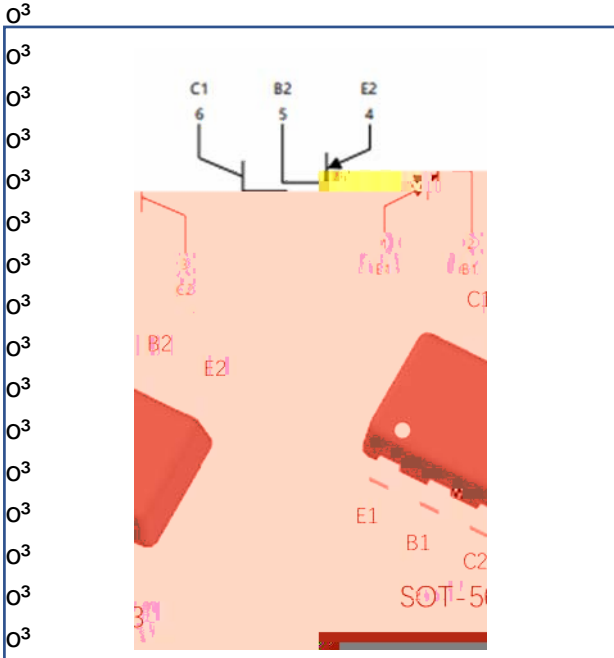




0"
(07 0"

RoHS
COMPLIANT

'XDO 313 6PDOO 6LJQDO 7UDQVLVW



)HDWXUHV

\$SSOLFDWLRQ

z 6LJQDO DPSOLILFDWLRQ

z 6ZLWFKLQJ FLUFXLW

0HFKDQLFDO GDWD

z 3DFNDJH 27 0³

z 7HUPLODQ SODWHG OHDG VRO

- 67' DQG -(6' 0³⁰%

v 0D[LPXP 5DW 8QOHVV RWKHUZLVH VSHFLILHG

,WHP	6\PERO	8QLW	&RQGLWLRQV	9DOXH
'HYLFH PDUNLQJ FRGH				
&ROOHFWRU EDVH YROWDJH	&%2		9 X\$, 9	,
&ROOHFWRU HPLWWHU YROWDJH	(%2		& P\$, 9	,
(PLWWHU EDVH YROWDJH	(%2		9 (X\$, 9	,
&ROOHFWRU FXUUHQW	&	P\$,	
3RZHU GLVVLSDWLRQ	3	P:		
-XQFWLRQ WHPSHUDWXUH	-	-	7	WR
6WRUDJH WHPSHUDWXUH	67'	-	7	WR

0"
(07 0"

RoHS
COMPLIANT

&RQGLWLRQV	0LQ	7\ S	0D[
D&H X\$ (, 9			
RQW D\$ H 9			
H (X\$ \$,			
9&% 9Q \$			
9(% 9 Q \$			
&(9 &, P\$ 9			
Y&RQW D\$ H P\$ 9			
9&(Q (, P\$ + 0+]			

9 &% 9 , (\$ | 0+]

`-y FG™

0”



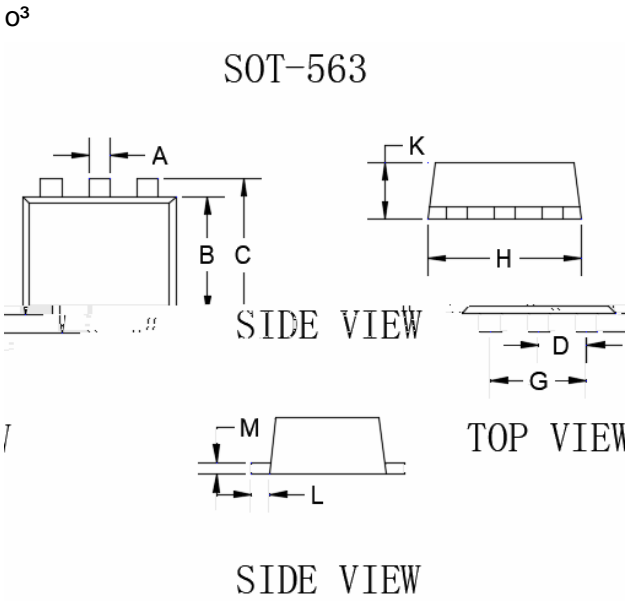
0"
(07 0"

RoHS
COMPLIANT

v2UGHULQJ ,QIRUPDWLRQ

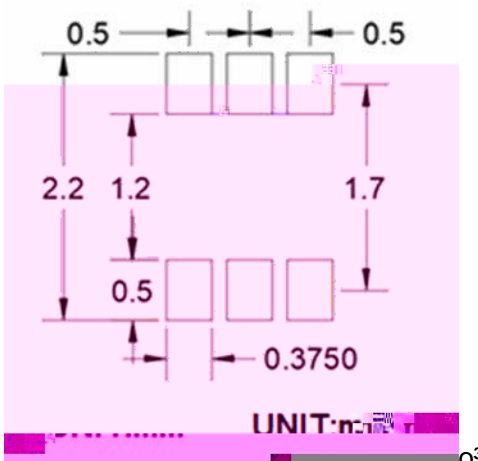
3UHIHUUHC	3DFNL FRGH	8QLW ZHLJ	0LQLPXP SDFNDJH	,QQHU ER TXDQWLW\	2XWHU FDU TXDQWLW\	'HOLYHU\ PRGH
(07)	\$SSUR[LPDWH				

v2XWOLQH 'LPHQVLRQV



DIM	DIMENSIONS			
	INCHES		MM	
	MIN	MAX	MIN	MAX
A	0.006	0.011	0.150	0.300
B	0.043	0.051	1.100	1.300
C	0.059	0.067	1.500	1.700
D	0.016	0.024	0.400	0.600
	0.025	0.043	0.600	1.100

v6XJJHVWHG 3DG /D\RXW



0 3 0 3



0"
(07 0"

RoHS
COMPLIANT
