

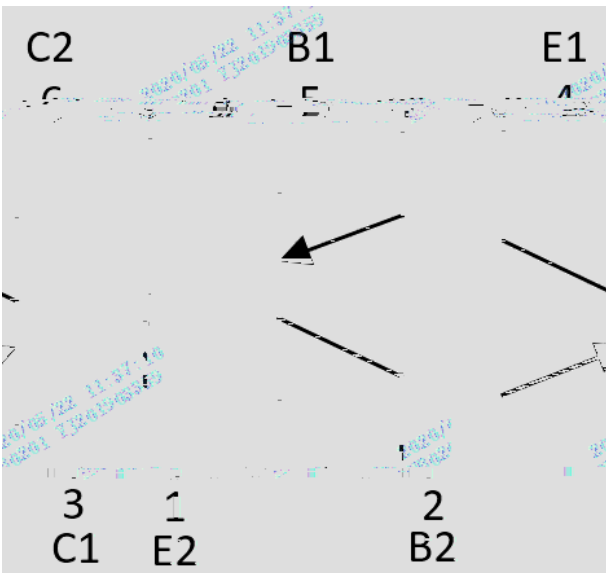


Epoxy meets UL-94 V-0 flammability rating  
Surface mount package ideally Suited for Automatic Insertion  
PNP

SOT-363

Tin plated leads, solderable per  
J-STD-002 and JESD22-B102

K2F



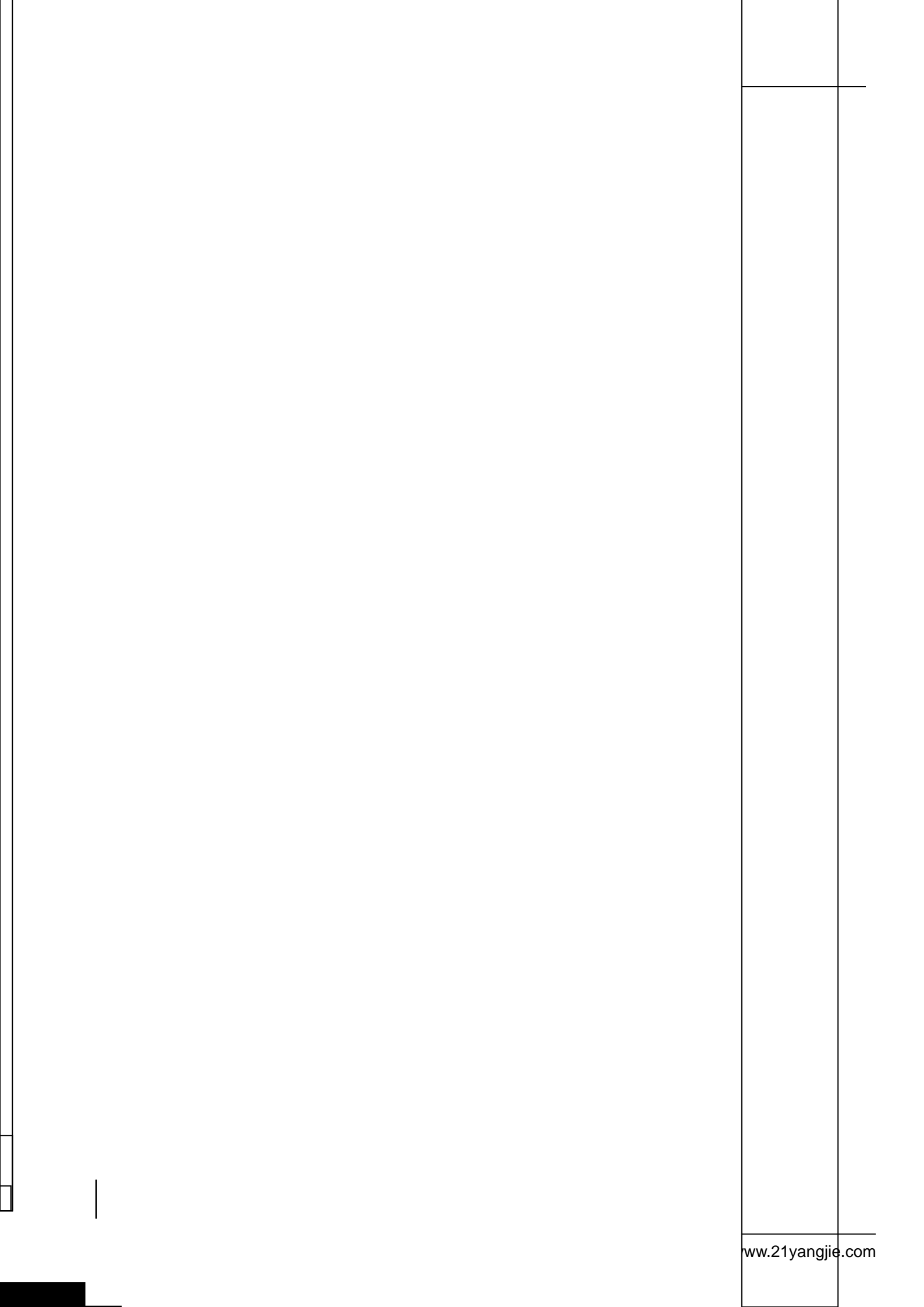


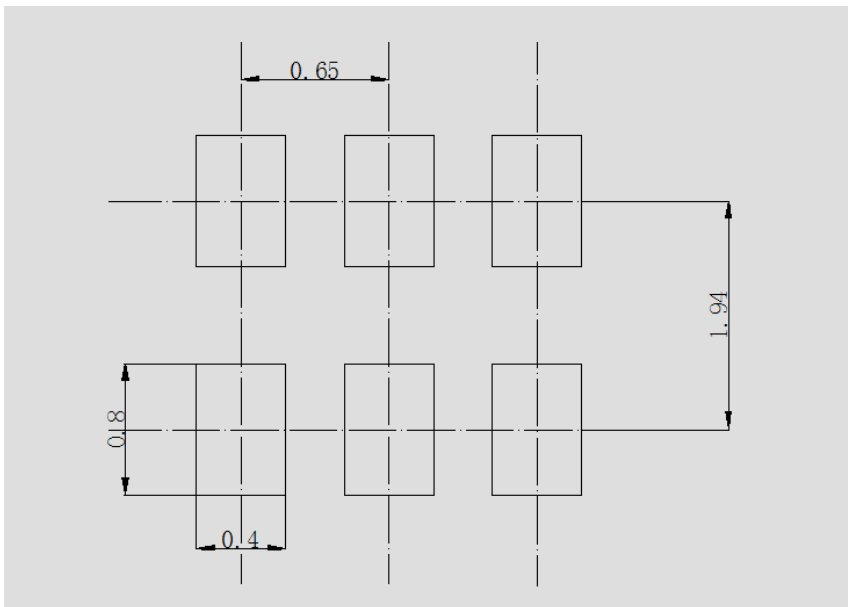
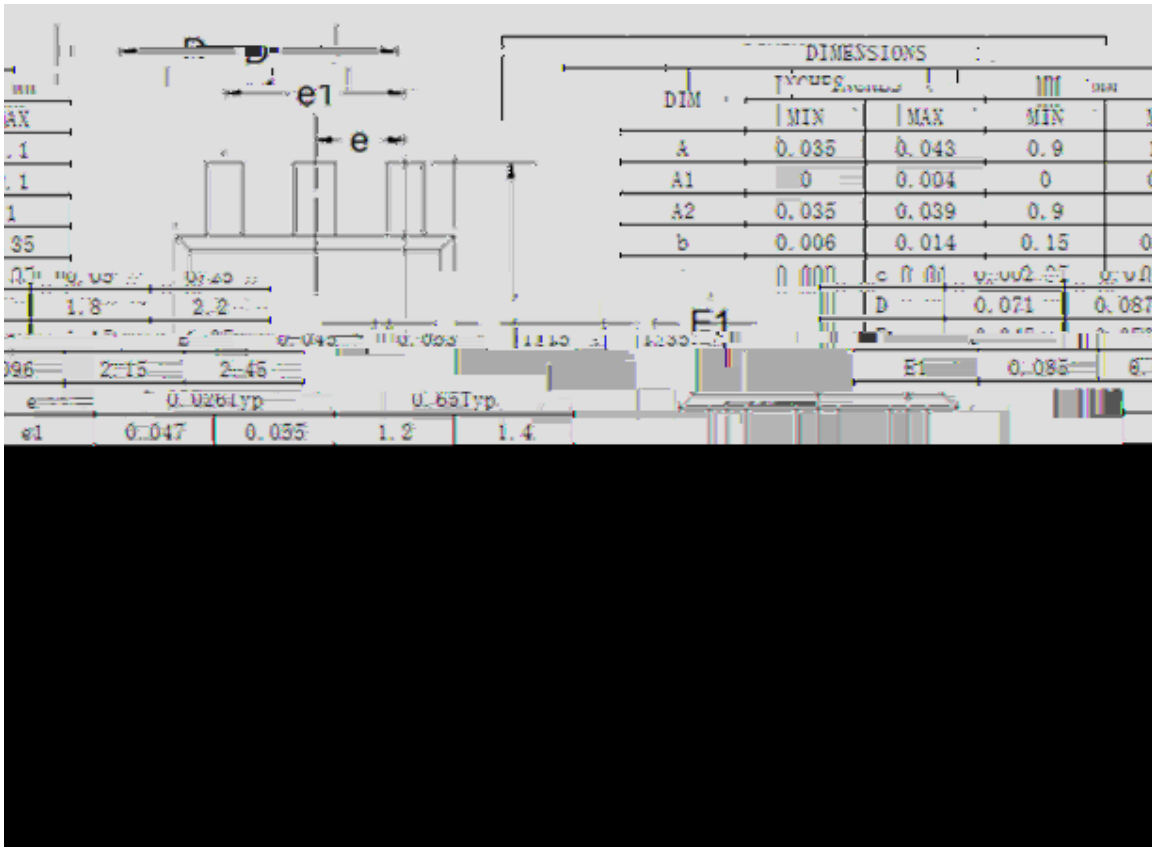
(Ta=25 Unless otherwise specified)

Collector-Base Voltage	VCBO	V	IC=-10μA,IE=0	-60
Collector-Emitter Voltage	VCEO	V	IC=-10mA,IB=0	-60
Emitter-Base Voltage	VEBO	V	IE=-10μA,IC=0	-5
Collector Current -Continuous	IC	mA		-600
Total Device Dissipation	PC	mW		200
Junction Temperature	Tj			150
Storage Temperature	TSTG			-55 to +150

(Ta=25 unless otherwise specified)

Collector-base breakdown voltage	V <sub>CBO</sub>	V	IC=-10μA,IE=0	-60		
Collector-emitter breakdown voltage	V <sub>CEO</sub>	V	IC=-10mA,IB=0	-60		
Emitter-base breakdown voltage	V <sub>EBO</sub>	V	IE=-10μA,IC=0	-5		
Collector cut-off current	I <sub>CBO</sub>	nA	VCB=-50V,IE=0			-10
Collector cut-off current	I <sub>CEX</sub>	nA	VCE=-30V,VEB(off)=-0.5V			-50
Emmitter cut-off current	I <sub>EBO</sub>	nA	VEB=-5V, IC=0			-10
DC current gain	h <sub>FE1</sub>		VCE=-10V,IC=-0.1mA	75		
	h <sub>FE2</sub>		VCE=-10V,IC=-1mA	100		
	h <sub>FE3</sub>		VCE=-10V,IC=-10mA	100		
	h <sub>FE4</sub>		VCE=-10V,IC=-150mA	100		300
	h <sub>FE5</sub>		VCE=-10V,IC=-500mA	50		
Collector-emitter saturation voltage	V <sub>CE(sat)</sub>	V	IC=-150mA,IB=-15mA			-0.4
Collector-emitter saturation voltage	V <sub>CE(sat)</sub>	V	IC=-500mA,IB=-50mA			-1.6
Base-emitter saturation voltage	V <sub>BE(sat)</sub>	V	IC=-150mA,IB=-15mA			-1.3
Base-emitter saturation voltage	V <sub>BE(sat)</sub>	V	IC=-500mA,IB=-50mA			-2.6
Transition frequency	f <sub>T</sub>	MHz	VCE=-20V,IC=-50mA,f=100MHz	200		
Delay time	t <sub>d</sub>	ns	VCC=-30V,IC=-150mA,IB1=-15mA			10
Rise time	t <sub>r</sub>	ns				40
Storage time	t <sub>s</sub>	ns	VCC=-6V,IC=-150mA,IB1=-IB2=-15mA			225
Fall time	t <sub>f</sub>	ns				60





Unit mm



---

The information presented in this document is for reference only. Yangzhou Yangjie Electronic Technology Co., Ltd. reserves the right to make changes without notice for the specification of the products displayed herein to improve reliability, function or design or otherwise.

The product listed herein is designed to be used with ordinary electronic equipment or devices, and not designed to be used with equipment or devices which require high level of reliability and the malfunction of which would directly endanger human life (such as medical instruments, transportation equipment, aerospace machinery, nuclear-reactor controllers, fuel controllers and other safety devices), Yangjie or anyone on its behalf, assumes no responsibility or liability for any damages resulting from such improper use of sale.

This publication supersedes & replaces all information previously supplied. For additional information, please visit our website [http:// www.21yangjie.com](http://www.21yangjie.com) , or consult your nearest Yangjie's sales office for further assistance.