

'7\$ (. \$

v(OHFWULFDO & KDUDFWXIDYWLFRWKHUZLVH VSHFLILHG

,7(0	6<0%2/	81,7	&21',7,216	0,1	7<3	0\$;
,QSW YROWDJH	9,R11	9	9&& 9 ,F X\$			
	9,RQ	9	92 9 ,F P\$			
2XWSXW YROWDJH	RQ	9R	,R ,L P\$ P\$			
,QSW FXUUHQW		,,	P\$ 9, 9			
2XWSXW FXUUHQW	2 R11	,X\$	9&& 9 9L			
'& FXUUHQW JDLQ		*	9R 9 ,R	P\$		



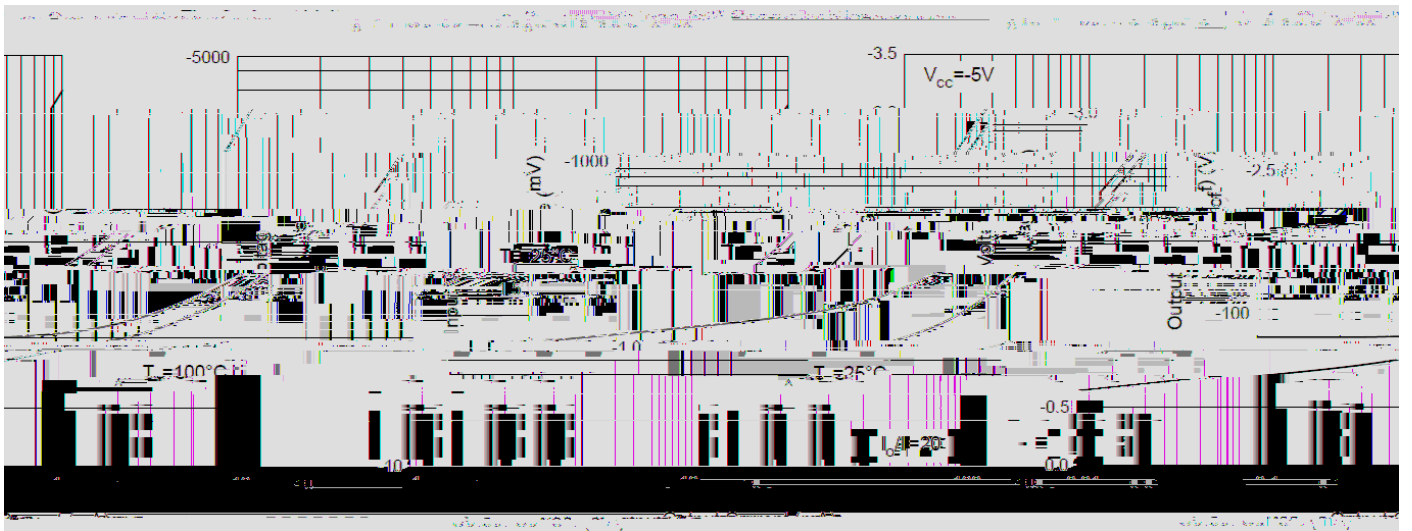
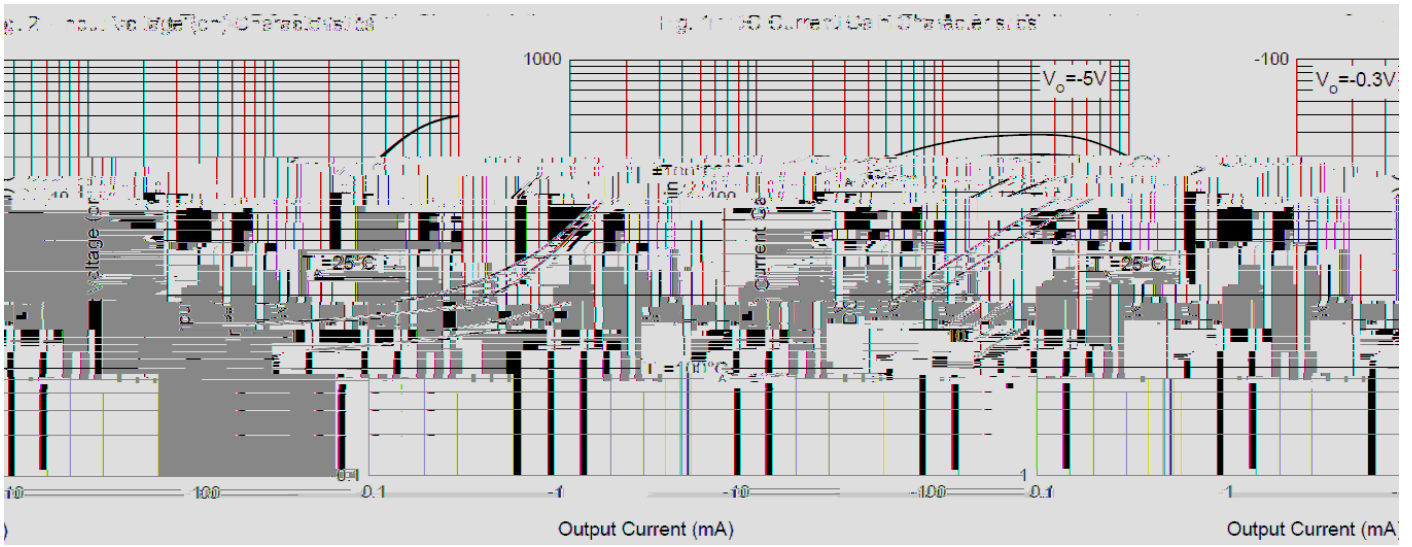
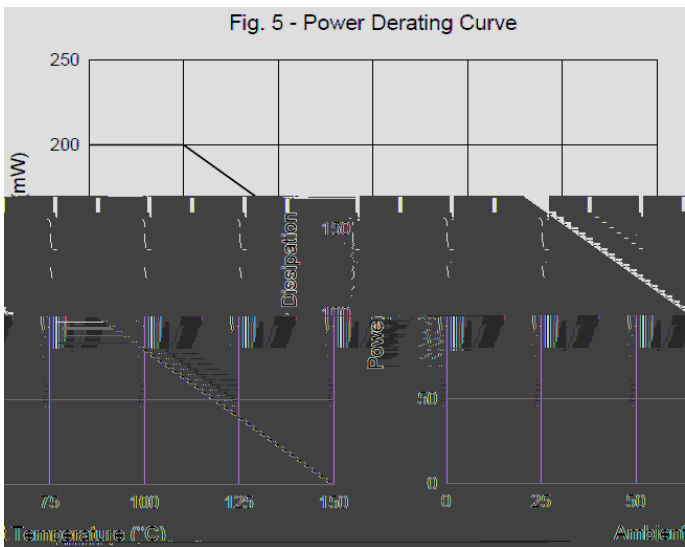
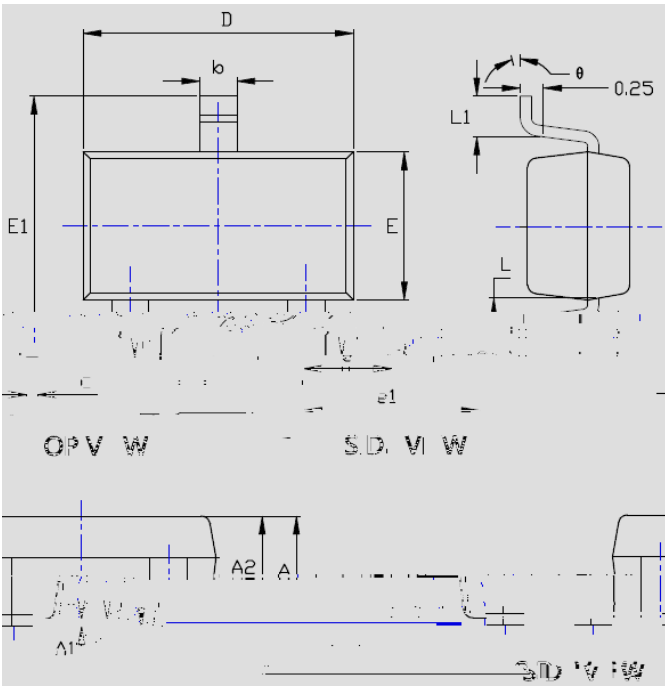


Fig. 5 - Power Derating Curve





DIMENSIONS				
SYMBOL	INCHES		Millimeter	
	MIN.	MAX.	MIN.	MAX.
A	0.041	0.049	1.050	1.250
A1	0.000	0.008	0.000	0.200
A2	0.041	0.045	1.050	1.150
e	0.037	YP	0.950	YP
e1	0.071	0.079	1.800	2.000
l	0.024R1		0.600R1	
1	0.012	0.024	0.300	0.600
φ	0°	8°	0°	8°

