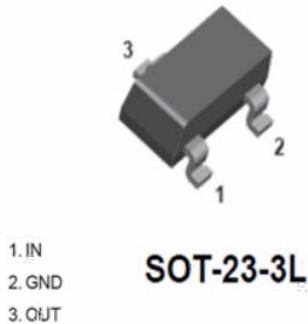
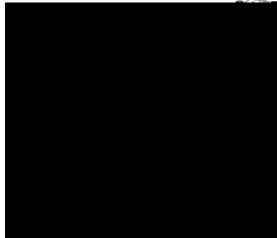




# DTC123JKA

RoHS  
COMPLIANT

1 3 1 ' L J L W D O 7 U D Q V L V W R U V % X L O W L G



) H D W X U H V

- z Moisture sensitivity level 1
- z Halogen free and RoHS compliant
- z Surface mount package ideally suited for automatic insertion

\$ S S O L F D W L R Q

- z Signal amplification
- z Switching circuit

0 H F K D Q L F D O G D W D

- z 3 D F N D J S O T - 2 3 - 3 L
- z 7 H U P L Q T O plated leads, solderable per J-STD-002 and JESD22-B102

0 D [ L P X P 5 D V a = 2 5 V Unless otherwise specified)

Parameter	Symbol	Unit	Value
Device marking code			E42
Collector-base voltage	$V_{CC}$	V	50
Collector-emitter voltage	$V_{IN}$	V	-5 to +12
Collector current	$I_O$	mA	100
Power dissipation	$P_D$	mW	200
Junction temperature	$T_J$	-	-55 to +150
Storage temperature	$T_{STG}$	-	-55 to +150



# DTC123JKA

RoHS  
COMPLIANT

Symbol	Parameter	Symbol	Symbol	Symbol	Symbol	Symbol
Input voltage	$V_{I(off)}$ $V_{I(on)}$	V	$V_{CC}=5V, I_C=100\mu A$	0.5		

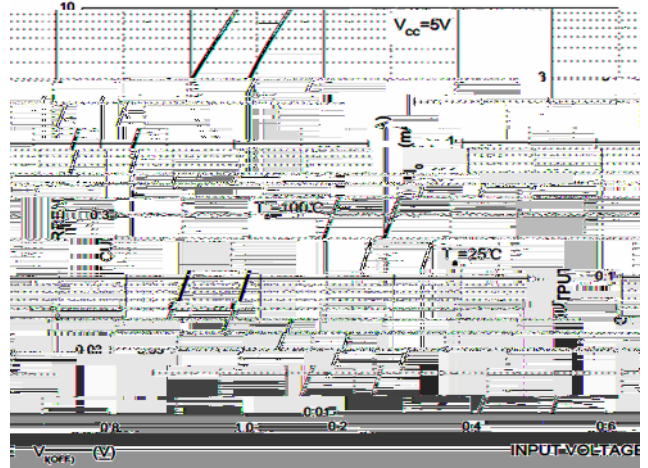
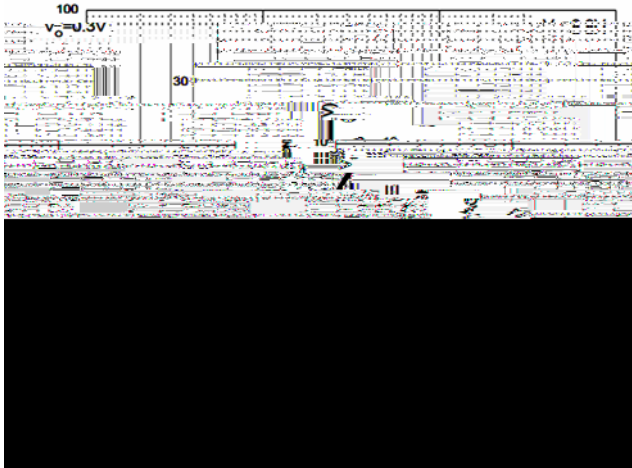


# DTC123JKA

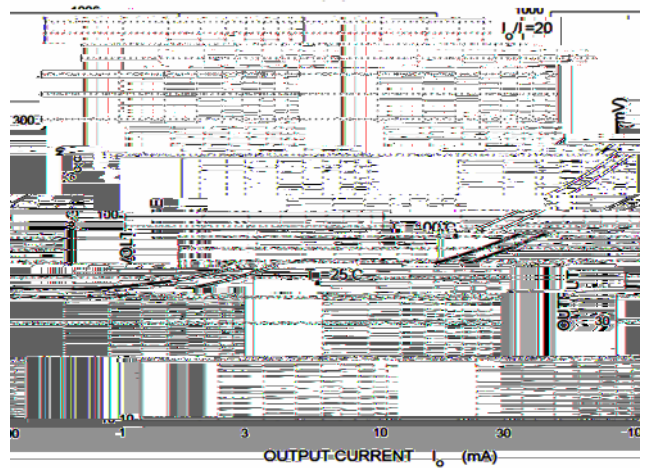
RoHS  
COMPLIANT

&KDUDFWHULVWLFV

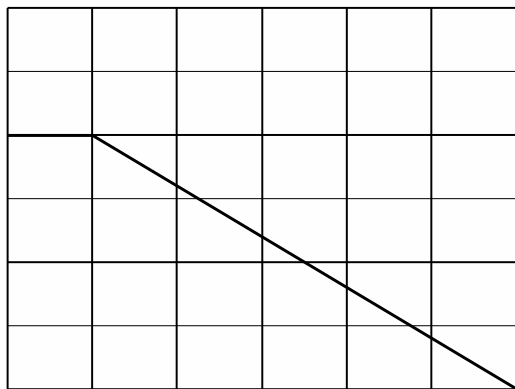
)LJ ,QSXW 9ROWDJH 2Q &KDUDFWHULVWLFV,QSXSXW 9R,OWDJH 2II &KDU



)LJ '& &XUUHQW \*DLQ &KDUDFWHULVWLFV 2XWSXW 9R,OWDJH &KDU



)LJ 3 7D &XUYH





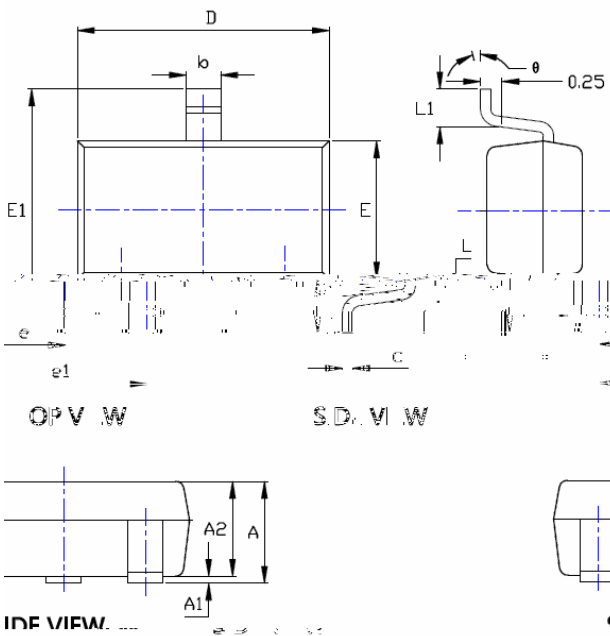
# DTC123JKA

RoHS  
COMPLIANT

2UGHULQJ , QIRUPDWLRQ

3UHIHUUC	3DFNL FRGH	8QLW ZHLJ	0LQLPXP SDFNDJH	,QQHU ER TXDQWLW\	2XWHU FDU TXDQWLW\	'HOLYHU\ PRGH
DTC123JKA	F2	Approximate 0.014	3000	30000	120000	7" reel

2XWOLQH 'LPHQVLRQV



SYMBOL	INCHES		Millimeter	
	MIN.	MAX.	MIN.	MAX.
A	0.041	0.049	1.050	1.250
A1	0.000	0.008	0.000	0.200
A2	0.041	0.045	1.050	1.150
b	0.012	0.020	0.300	0.500

6XJJHVWHG 3DG /D\RXW

