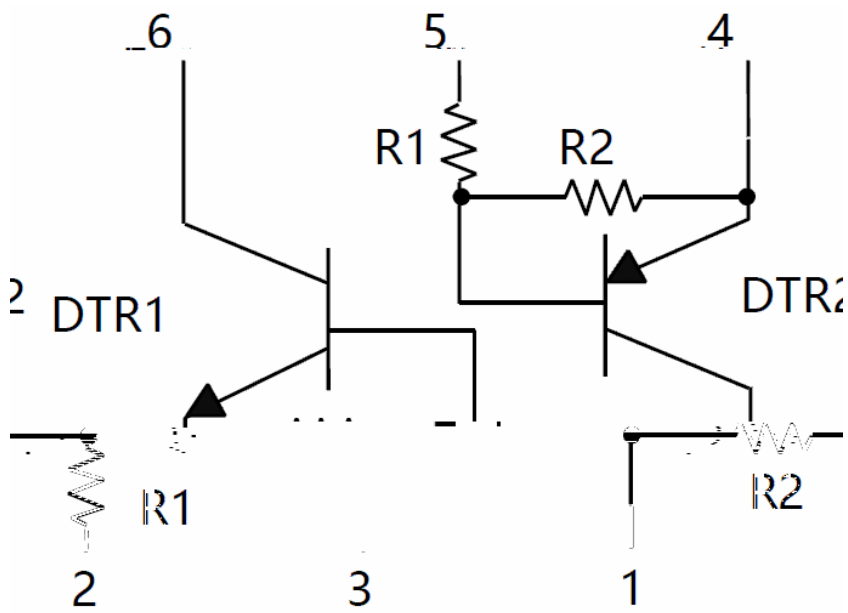




- |        |                |
|--------|----------------|
| ent    | 1. GND (Emit   |
| ic     | 2. Input (base |
| estati | 3. Output (col |
| ent    | 4. GND (Emit   |
| ic     | 5. Input (base |
| estati | 6. Output (col |





Å

| Ä Ä |  |  |  |  |
|-----|--|--|--|--|
|     |  |  |  |  |

---



Fig. 3 - DTR1 Input Voltage (off) Characteristics

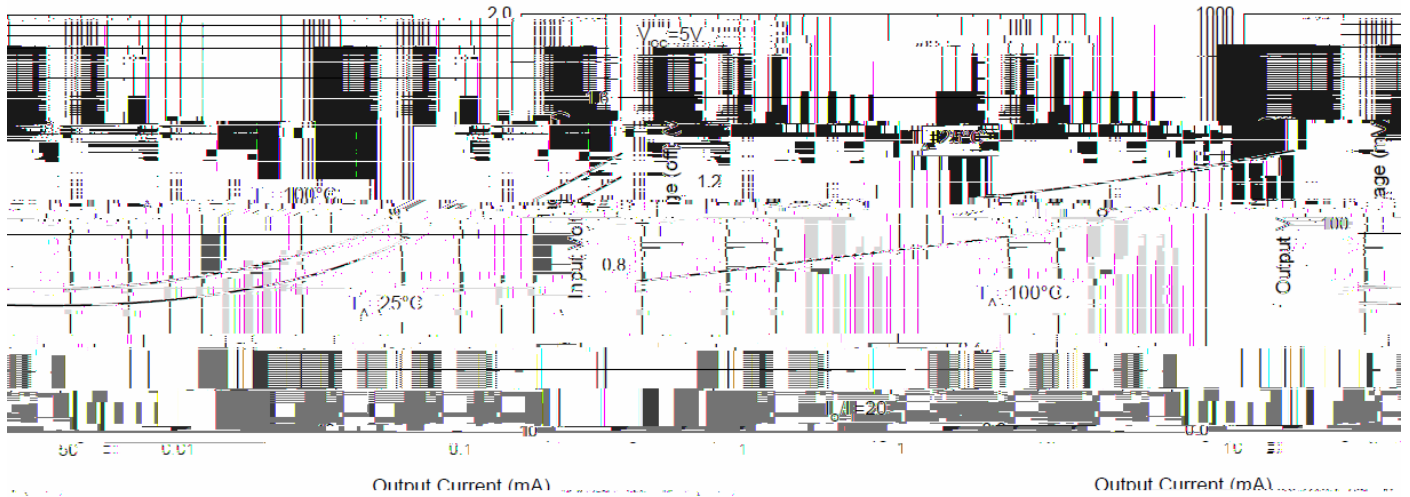


Fig. 4 - DTR1 Output Voltage Characteristics

Fig. 5 - DTR2 DC Current Gain Characteristics

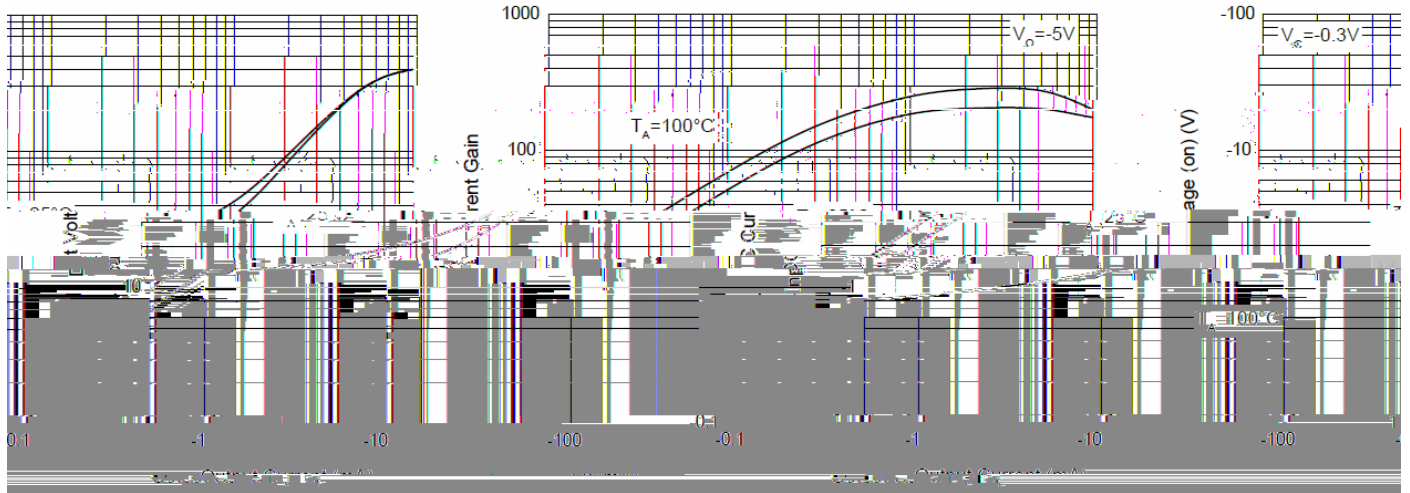


Fig. 6 - DTR2 Input Voltage (on) Characteristics

Fig. 7 - DTR2 Input Voltage (off) Characteristics

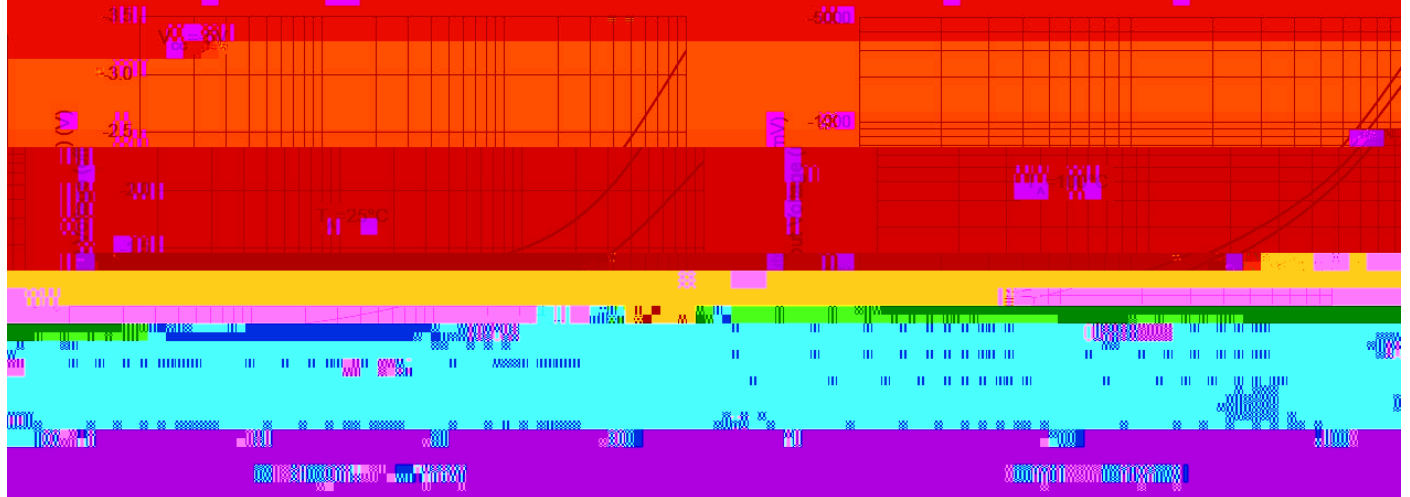
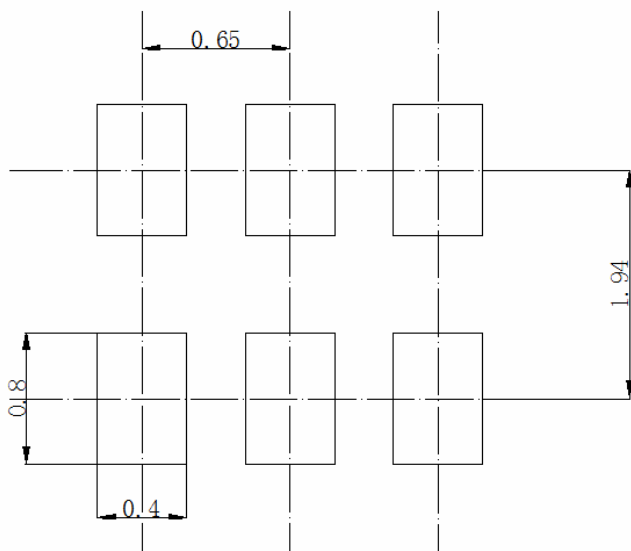
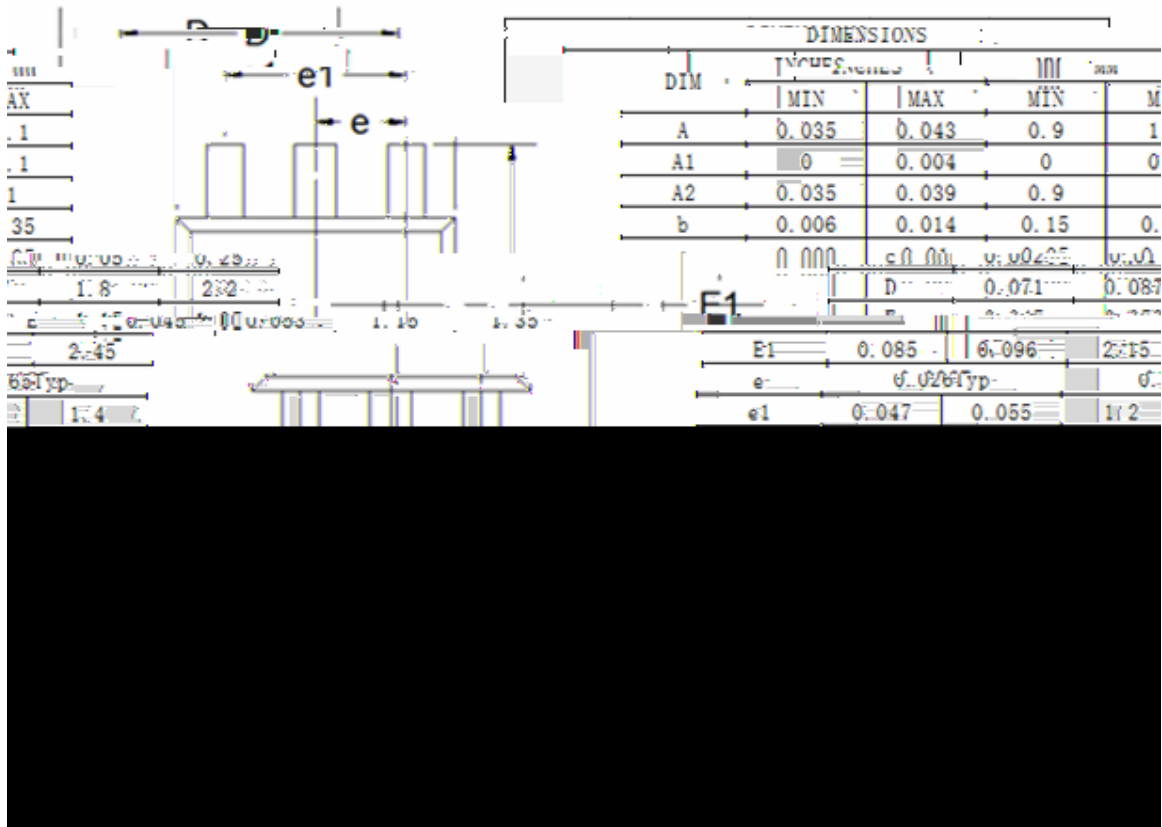


Fig. 8 - DTR2 Output Voltage Characteristics



Ö

