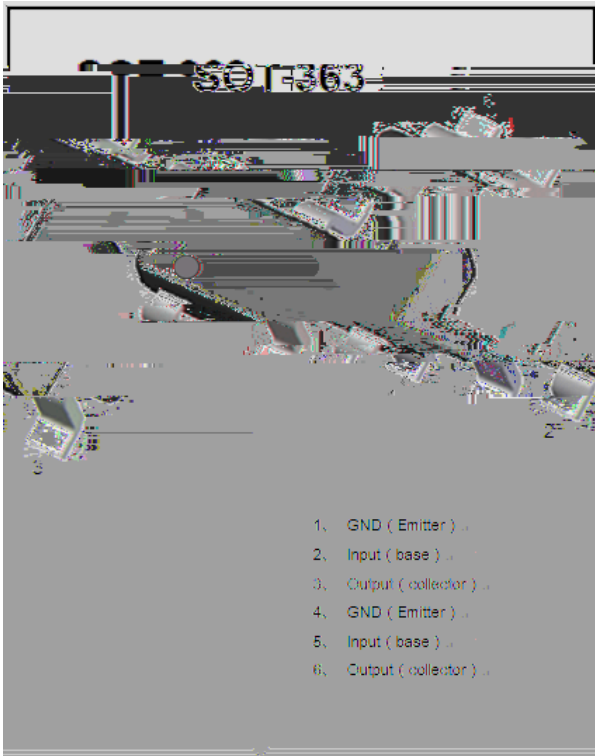


## Digital Transistors (Built-in Resistors)



### Features

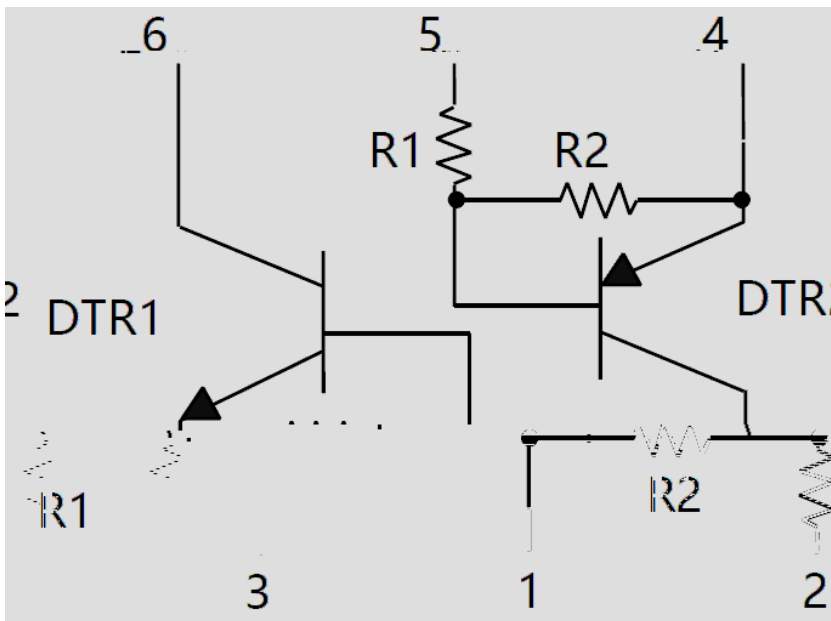
### Mechanical Data

Package:

Terminals:

Marking:

### Equivalent circuit





# UMD22N

---

## Maximum Ratings

### DTR1-NPN

ITEM	SYMBOL	UNIT	CONDITIONS	VALUE

### DTR2-PNP

ITEM	SYMBOL	UNIT	CONDITIONS	VALUE

---



# UMD22N

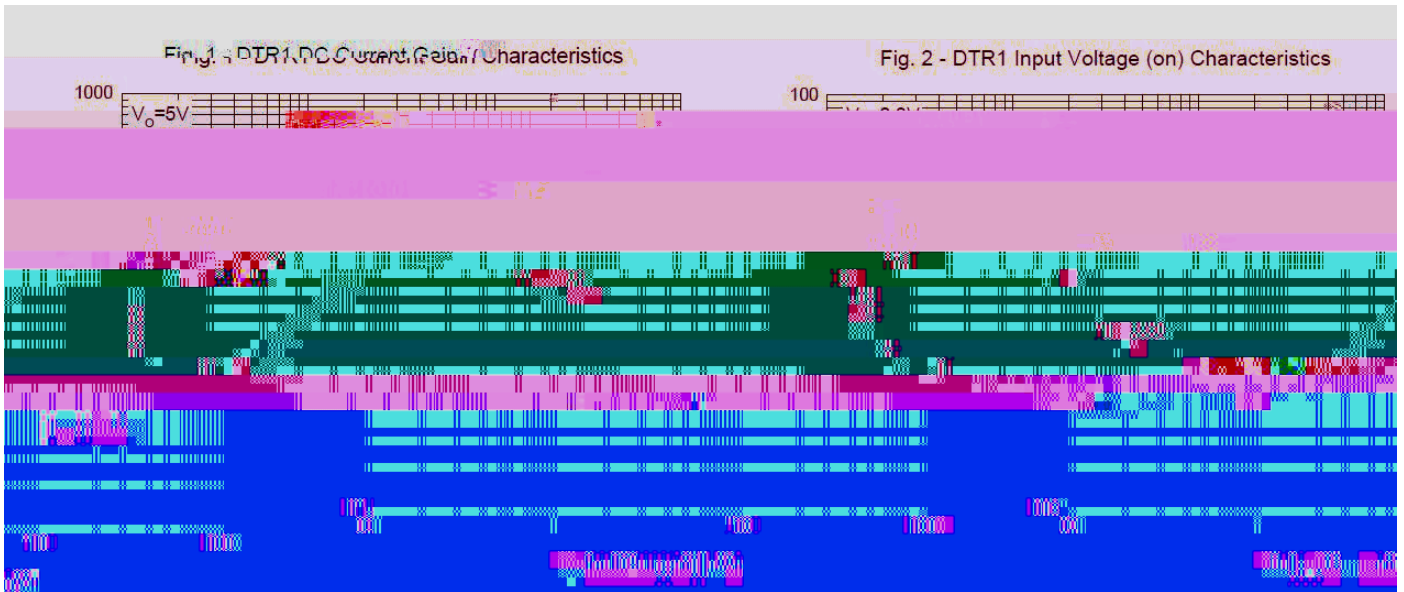
## DTR2-PNP

ITEM	SYMBOL	UNIT	CONDITIONS	MIN	TYP	MAX

## Ordering Information

PREFERRED P/N	PACKING CODE	UNIT WEIGHT(g)	MINIMUM PACKAGE(pcs)	INNER BOX QUANTITY(pcs)	OUTER CARTON QUANTITY(pcs)	DELIVERY MODE

## Characteristics





# UMD22N

Fig. 3 - DTR1 Input Voltage (off) Characteristics

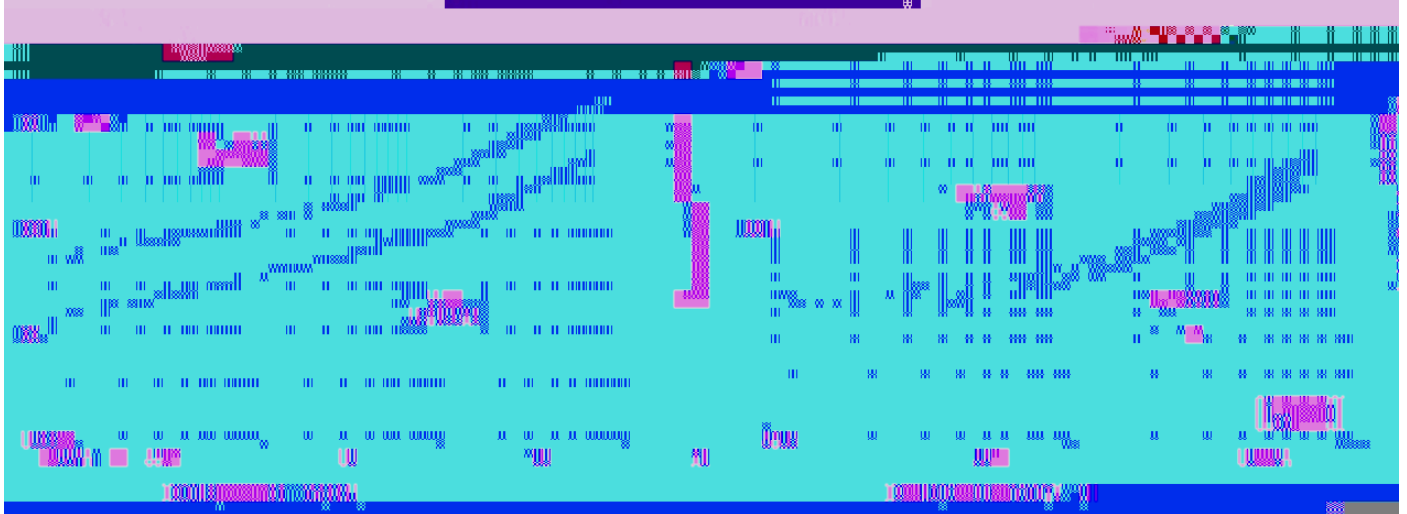


Fig. 4 - DTR2 DC Output Characteristics

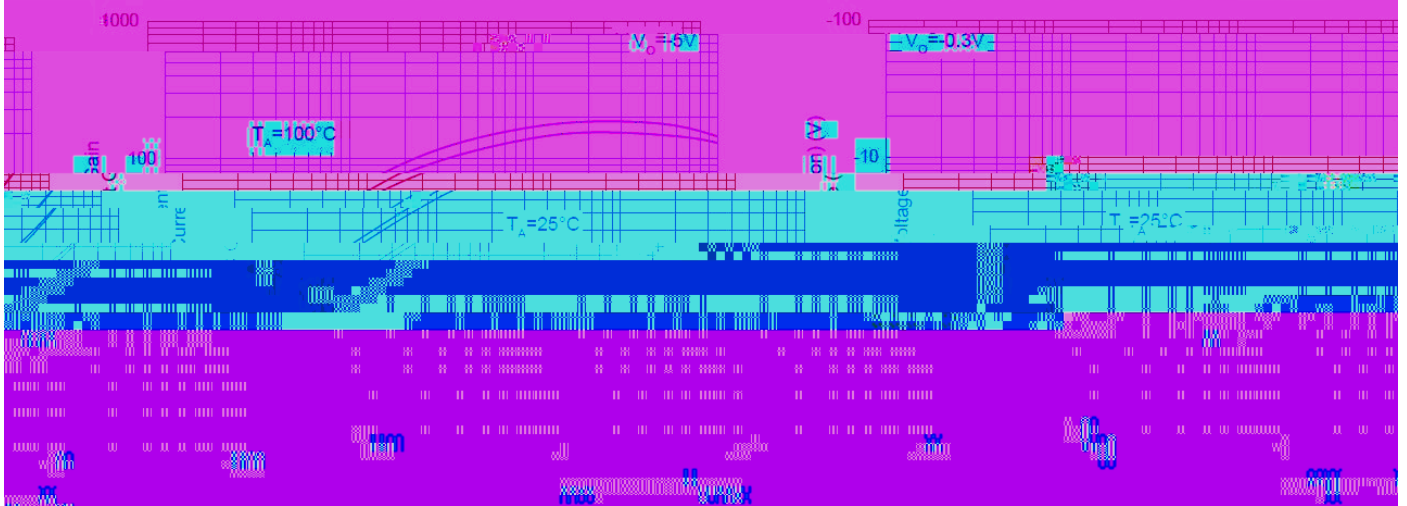


Fig. 7 - DTR2 Input Voltage (off) Characteristics

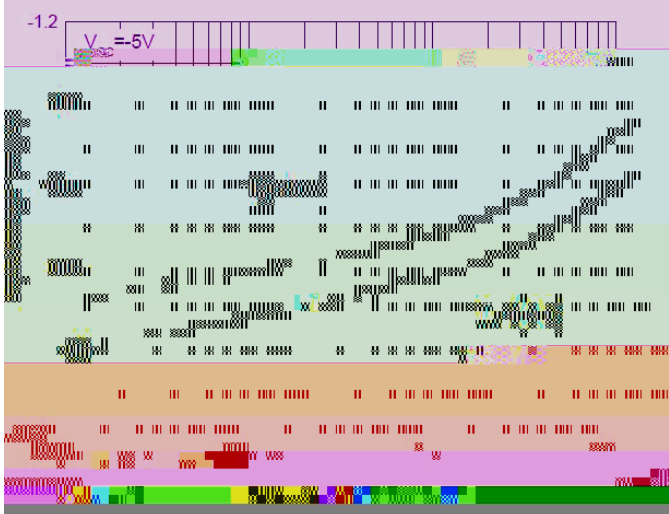
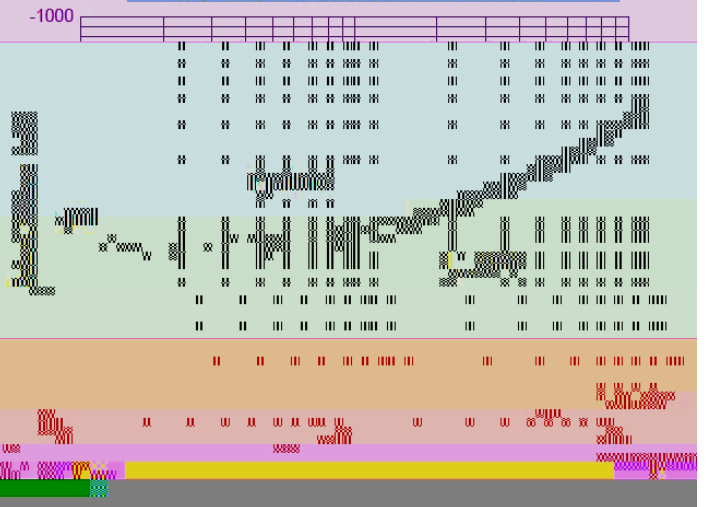


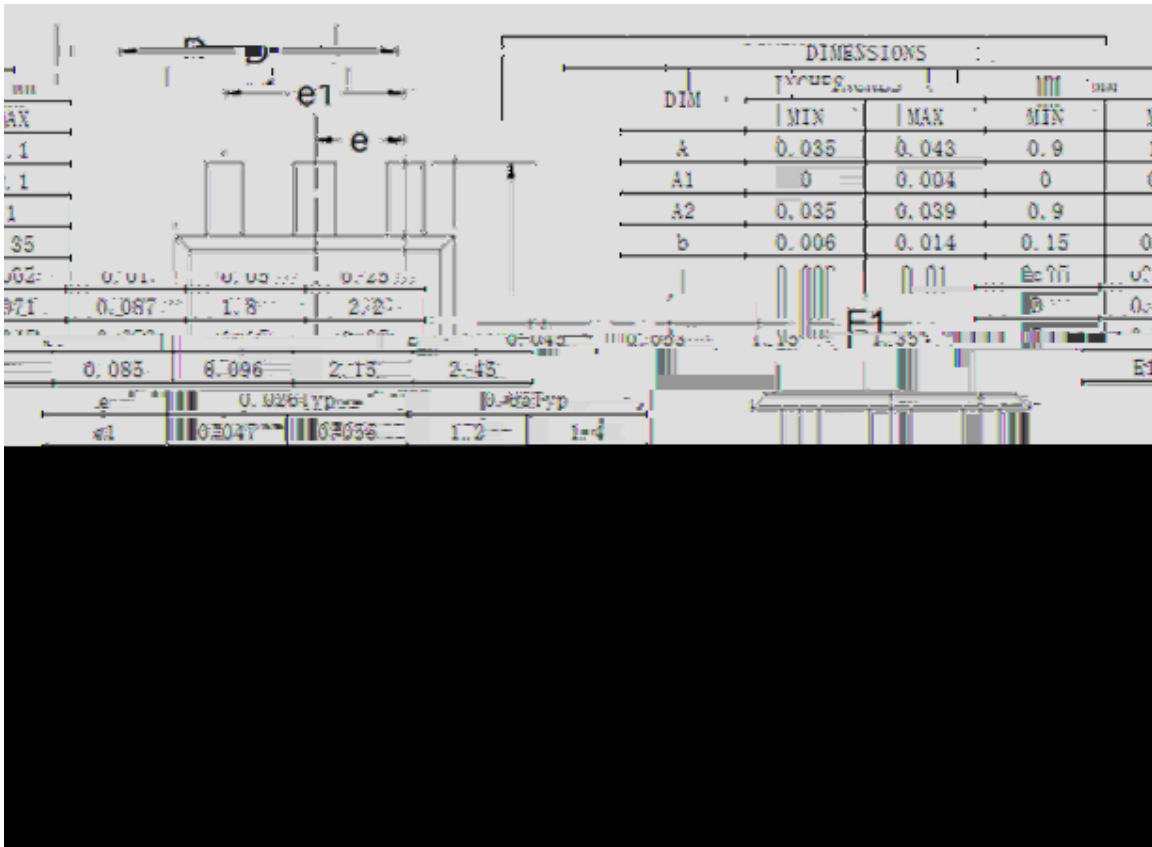
Fig. 8 - DTR2 Output Voltage Characteristics



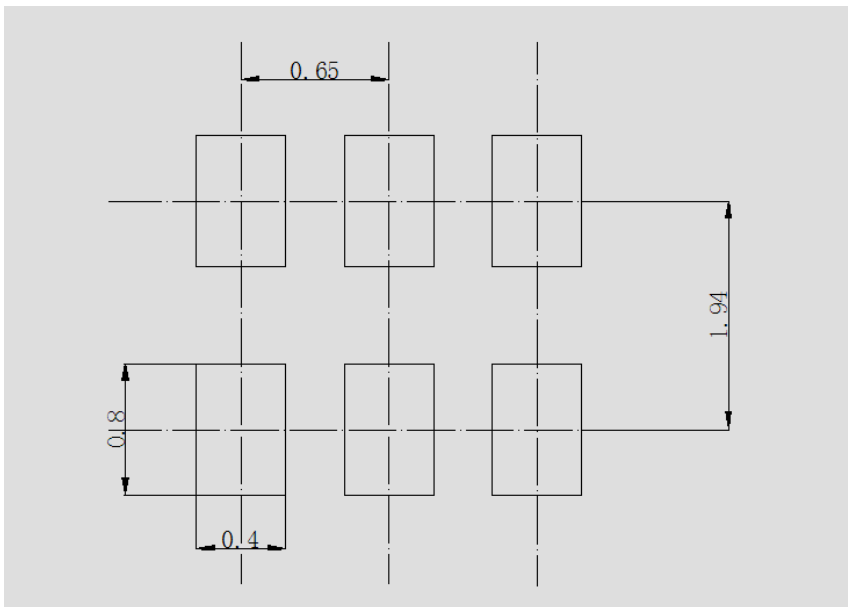


# UMD22N

## SOT-363 Package Outline Dimensions



## SOT-363 Suggested Pad Layout



Unit mm

