



UMH13N

Maximum Ratings (Ta=25 Unless otherwise specified)

ITEM	SYMBOL	UNIT	CONDITIONS	VALUE
Supply Voltage	V _{CC}	V		50
Input Voltage	V _{IN}	V		-5 to +30
Output Current	I _o	mA		100
Power Dissipation	P _D	mW		150
Junction Temperature Single	T _j			150
Storage Temperature	T _{STG}			-55 to +150

Electrical Characteristics (Ta=25 unless otherwise specified)

ITEM	SYMBOL	UNIT	CONDITIONS	MIN	C _f
------	--------	------	------------	-----	----------------



Characteristics (Typical)

Fig. 1 - DC Current Gain Characteristics

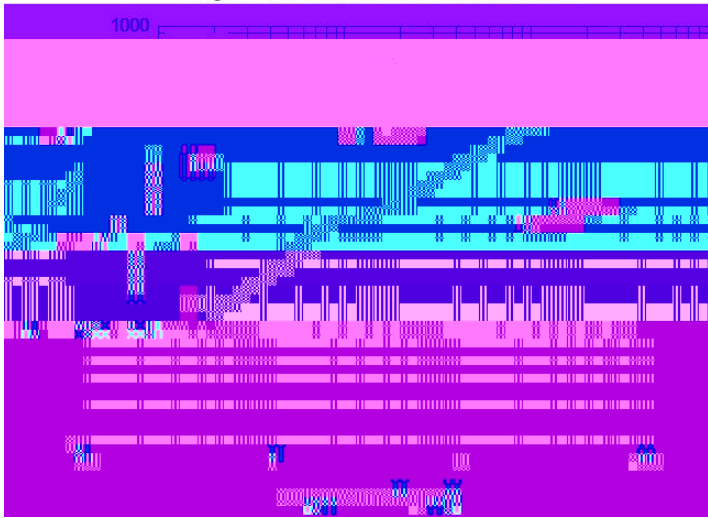


Fig. 2 - Input Voltage (on) Characteristics

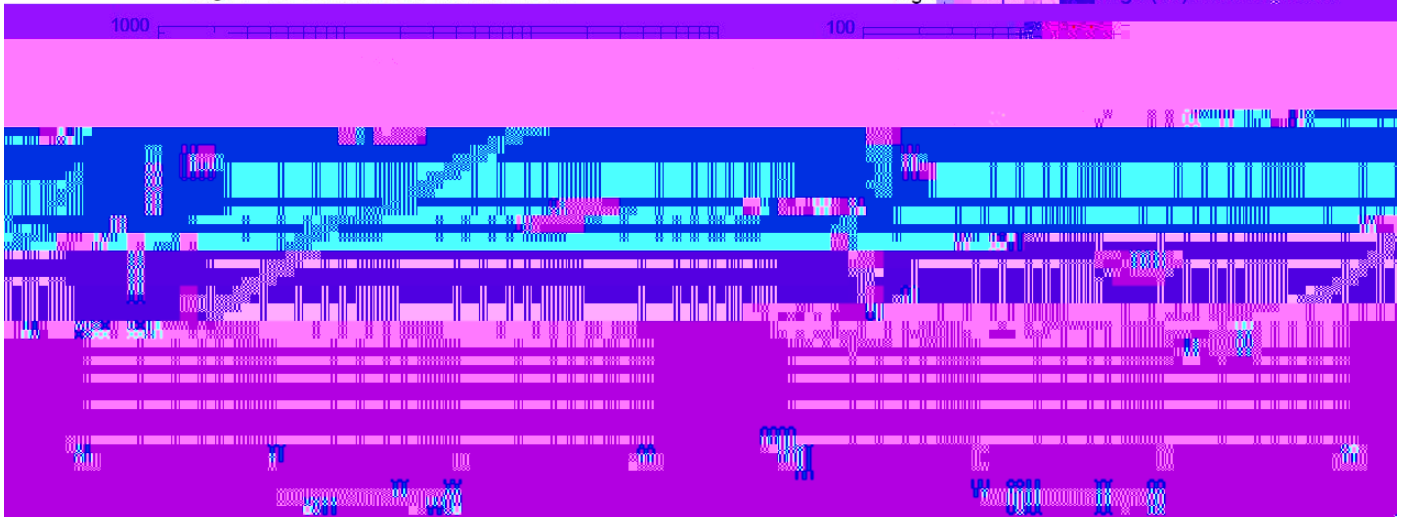


Fig. 3 - Input Voltage (off) Characteristics

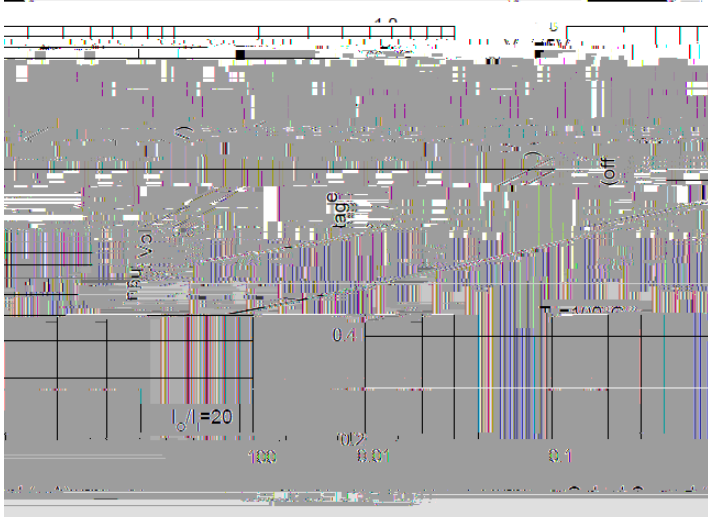
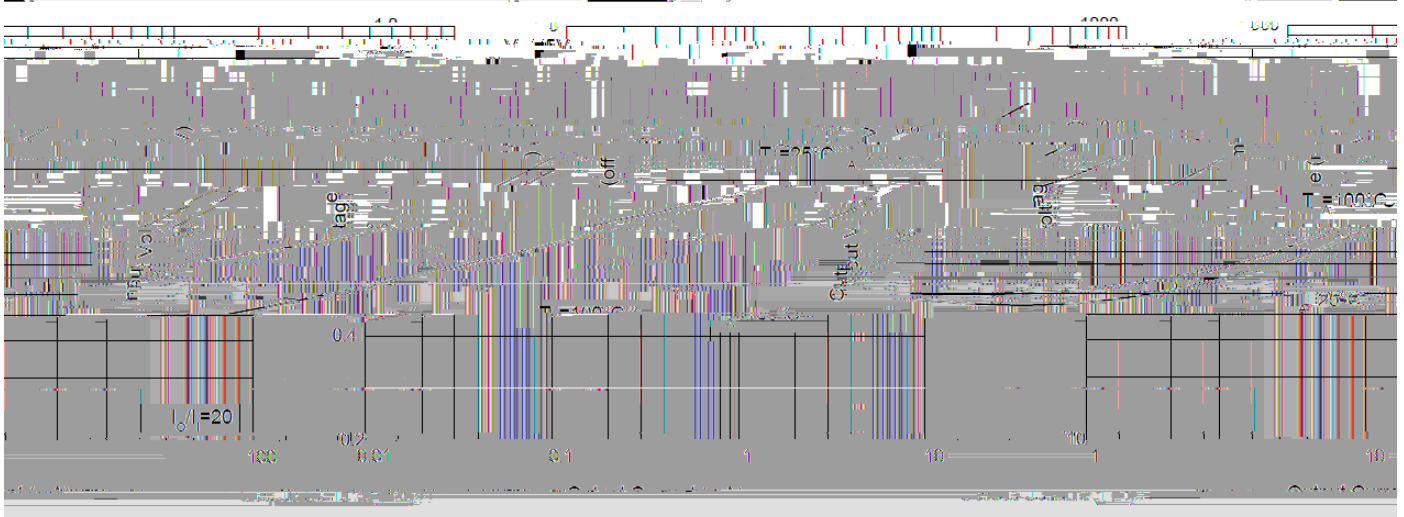


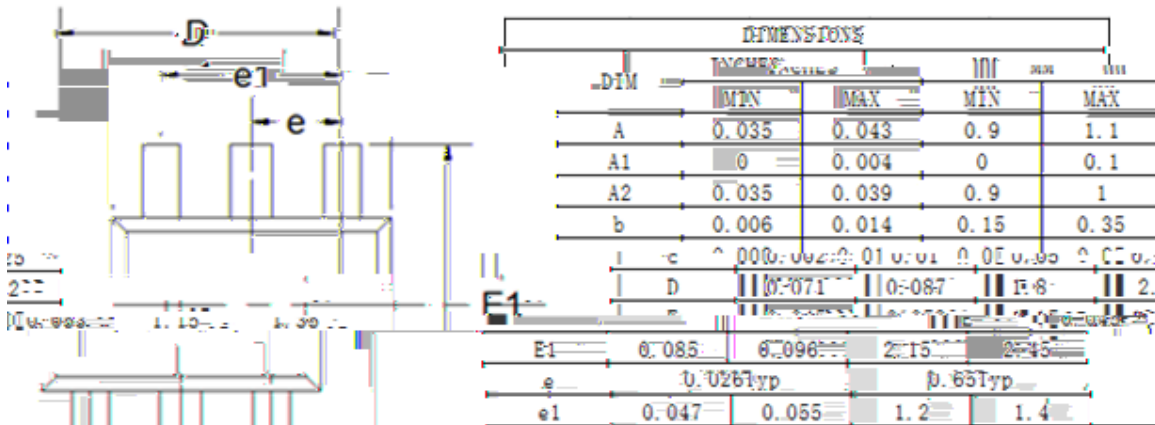
Fig. 4 - Output Voltage Characteristics



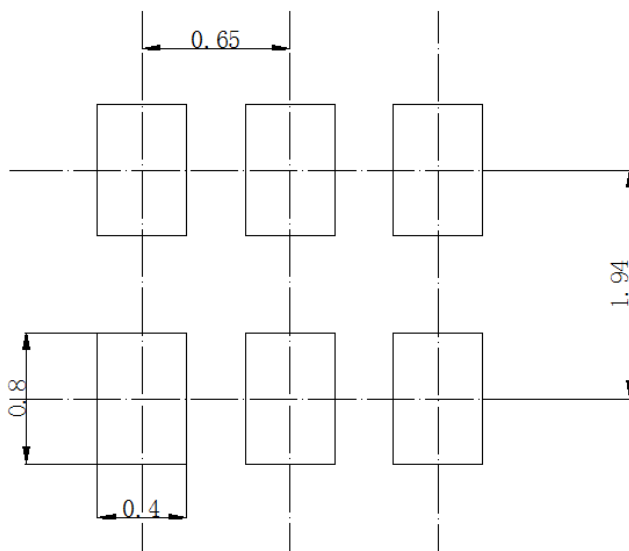


UMH13N

SOT-363 Package Outline Dimensions



SOT-363 Suggested Pad Layout



Unit mm



Disclaimer

The information presented in this document is for reference onlce

on i