

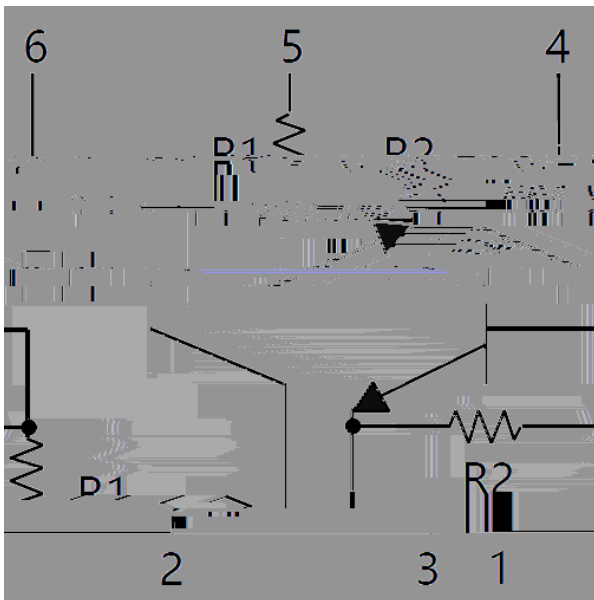


Epoxy meets UL-94 V-0 flammability rating  
Built-in bias resistors enable the configuration of an inverter circuit  
without connecting external input resistors  
Surface mount package ideally Suited for Automatic Insertion

SOT-363

Tin plated leads, solderable per  
J-STD-002 and JESD22-B102

H1



V0D[LPXP 5DWLQJ 8QOHVV RWKHU~~Z~~LVH VSHFLILHG

,7(0	6<0%2/	81,7	&21',7,216	9\$/8(
6XSSO\ 9ROWDJH		9&&	9	
,QSWX 9ROWDJH		9,1	9	
2XWSXW &XUUHQW		,2	P\$	
3RZHU 'LVVLSDWLRQ		3'	P:	
-XQFWLRQ 7HPSHUDWXUH	7M	-		
6WRUDJH 7HPSHUDWXUH		- 767*		WR

WR

V(OHFWULFDO &KDDFWXQDWHVFRWKHUZLVH VSHFLILHG

,7(0	6<0%2/	81,7	&21',7,216	0,1	7<3	0\$;
,QSWX YROWDJH	9,R11	9	9&& 9 ,F X\$			
	9,RQ	9	9 9 ,F P\$			
2XWSXW YROWDJH	RQ	9R	,R ,L P\$ P\$			
,QSWX FXUUHQW	,	P\$	9, 9			
2XWSXW FXUUHQW	2 R11	,X\$	9&& 9 9L			
'& FXUUHQW JDLQ		*	9R 9 ,R P\$			
,QSWX UHVLVWDQFH		N5				
5HVLVWDQFH UDWLR	5	5				
7UDQVLWLRQ IUHTXHQF\		+] 17	9&( 90,( P\$ I 0+]			

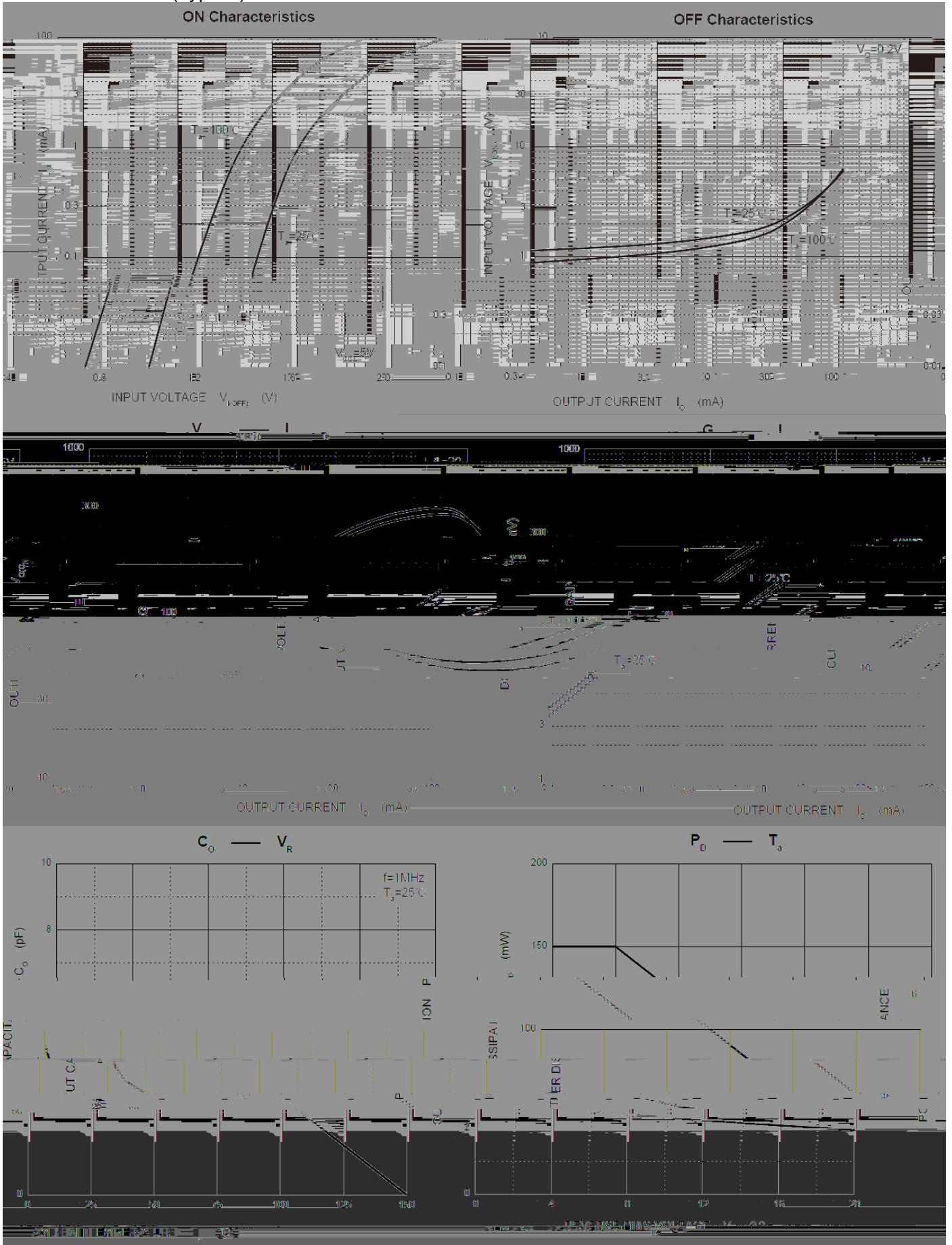
v2UGHULQJ ,QIRU~~BB~~WRQ

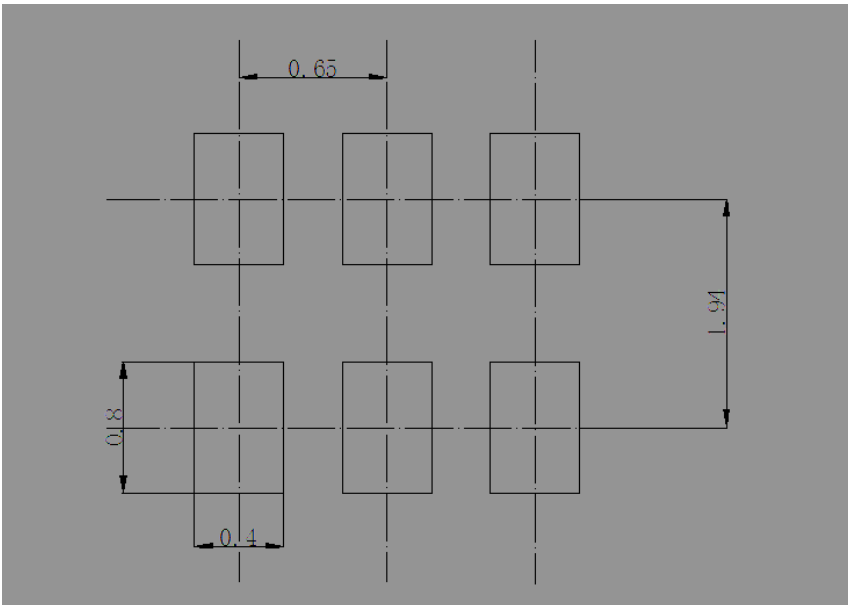
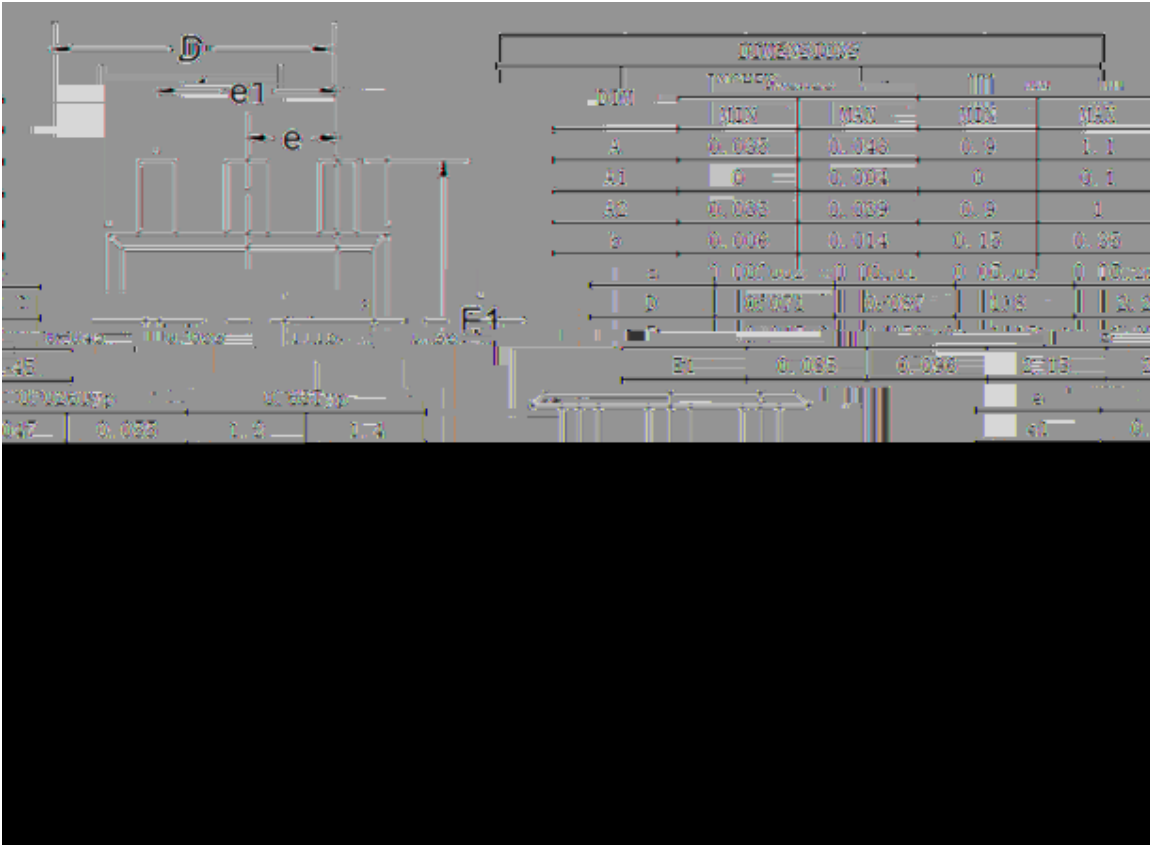
35()5(' 3 1	3\$&.,1 &2'()	81,7 :(*+7	0,1,080 3\$&.\$*( SF	,11(5 %2; 48\$17,7< S	287(5 &\$572 48\$17,7< SF	'(/,9(5< 02'()
80+ 1	)	\$SSUR[LPDWH	J			

UHH



(Typical)





Unit mm



---

The information presented in this document is for reference only. Yangzhou Yangjie Electronic Technology Co., Ltd. reserves the right to make changes without notice for the specification of the products displayed herein to improve reliability, function or design or otherwise.

The product listed herein is designed to be used with ordinary electronic equipment or devices, and not designed to be used with equipment or devices which require high level of reliability and the malfunction of which would directly endanger human life (such as medical instruments, transportation equipment, aerospace machinery, nuclear-reactor controllers, fuel controllers and other safety devices), Yangjie or anyone on its behalf, assumes no responsibility or liability for any damages resulting from such improper use of sale.

This publication supersedes & replaces all information previously supplied. For additional information, please visit our website [http:// www.21yangjie.com](http://www.21yangjie.com) , or consult your nearest Yangjie's sales office for further assistance.