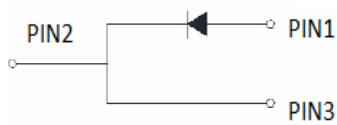
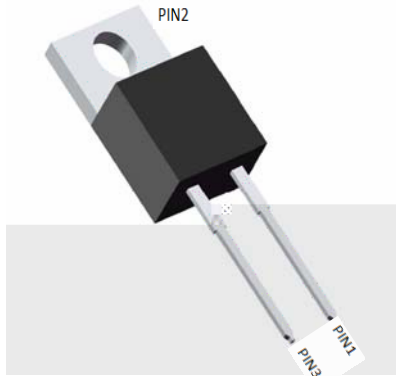


## Ultra-Fast Recovery Diodes 10A FRED



### Features

- " \$GRSW )5(' FKLS
- " /RZ IRUZDUG 9ROWDJH GURS
- " )DVW UHYHUVH UHFRYHU\ WLPH
- " +LJK IUHTXHQF\ RSHUDWLRQ
- " +LJK SXULW\ KLJK WHPSHUDWXUH HSR[\ H
- HQKDKFHG PHFKDQD & DOP RWUM QUW\ UHVLVWD
- " \*XDUG ULQJ IRU HQDWFBG UORJH

### Typical Applications

- 7\SLFDO DSSOLFDWLRQV DUH LQ VZLWFKLQJ
- IUHHZKHHOLQJ GLRGHV DQG UHYHUVH EDW

### Mechanical Data

- " Package 72 \$ &
- 0ROGLQJ FRPSR\QG PHH\WPPDELOLW\
- UDWLQJ 5R+6 FRPSOLDQW
- " Terminals

'HYLFH PDUNLQJ FRGH			085
5SHHWLWLYH 3HDN 5HYHUVH 9ROWDJH	9		
\$YHUDJH 5HFWLILHG 2XWSXW & XUHQW # +] VLQH ZDYH 5 ORDG 7F ) *	\$		
6XUJH 1RQ USHHWLWLYH )RUZDUG & XUHQW # +] KDOI VLQH ZDYH - F\FOH 7M )60	\$		
& XUHQW 6TXDUHG 7LPH # - F\W" P, W 7M	\$ V		
6WRUDJH 7HPSHUDWXUH	7 <sub>VWJ</sub>	-	a
-XQFWLRQ 7HPSHUDWXUH	7M	-	a
7\SLFDO -XQFWLRQ FDSDFLWDQFH # &M 0+]	S)		



# MUR1020

## Electrical Characteristics

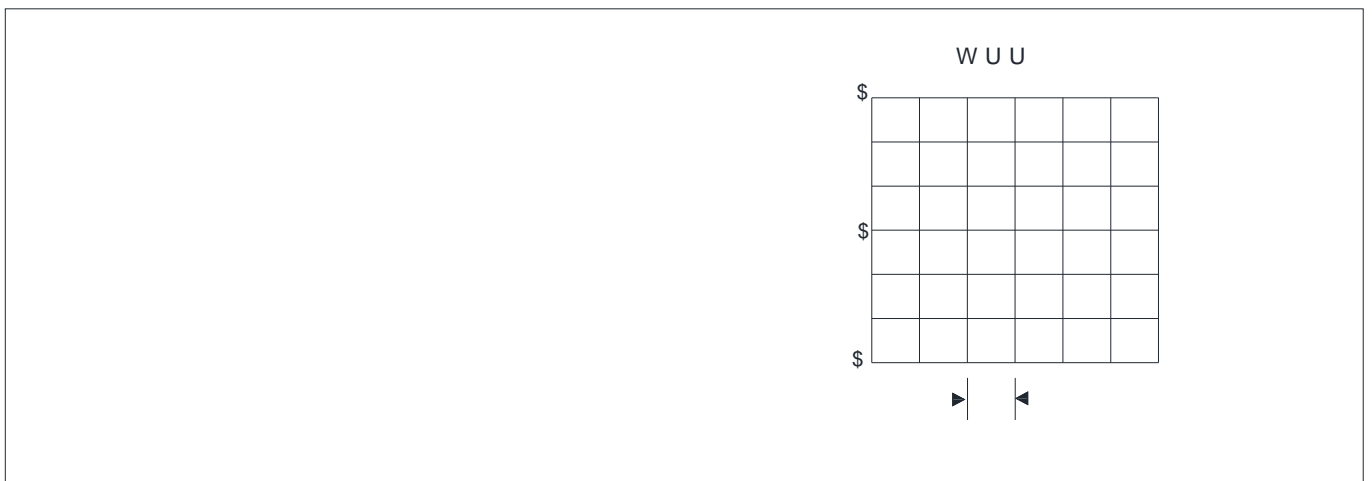
PARAMETER	SYMBOL	UNIT	TEST CONDITIONS	Min	Typ	Max
QVWDQWDQHRXV IRUZDUG YROWDJH	$V_{DS}$	V	$V_{GS} = 0V, I_D = 10mA$			
'& UHYHUVH FXUUHQW DW UDWHG '& EORFNLQJ YROWDJH	$I_{D(50)}$	A	$V_{GS} = 0V, V_{DS} = 7V$			
	$I_{D(55)}$	A	$V_{GS} = 0V, V_{DS} = 7V$			
			$V_{GS} = 5V, V_{DS} = 5V$			

5HYHUVH 5HFRYHU\ 7LPH 55 QV 7M -

$V_{GS} = 5V$   
GL GW \$ XV  
950



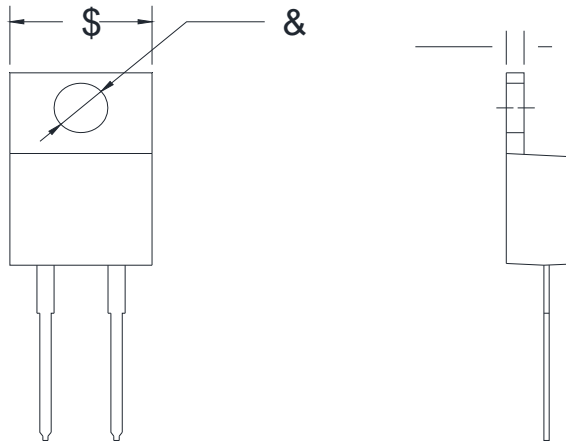
FIG.5: Diagram of circuit and Testing wave form of reverse recovery time





# MUR1020

## Outline Dimensions





# MUR1020

## Disclaimer

7KH LQIRUPDWLRQ V GHVFHQWV LQ WKLV DOKUMENT HURGHWHQVLQ (HQRFFRURQLF /VHG UHV  
ULJKW WR PDNLWKRDXWLRQV LSH FRIWLVVLRQV FFWV GLVSDUULYGHKWHUOLDEWOLV L JQQ  
RU RWKHUZLVH

7KH SURGXFWOLVGHV IJHGH WR EH HOHWLGHVZLWOLRUGL RUGLQSDPHQW RU GHYLFHWWKDG  
HTXLSPHQW RU GHYLFHV ZKLFK UHTXLW KHKE DIO IZLWOLRUGL RUGLQSDPHQWOLRUGL  
PHGLFDO LQVWUXPHQWV WDWLRQHUTXLSPHQW RUGLQSDPHQWOLRUGL RUGLQSDPHQWOLRUGL  
GHYLFHV <DQJMLHVRV DOKBQH DQVXPLVWRRUWHOSRELVOLIEWHVROVLIQJGIDRUEHOMKE LP