



Maximum Ratings (T_j=25 °C Unless otherwise specified)

PARAMETER	SYMBOL	UNIT	MUR2020CT
Device marking code			MUR2020CT
Repetitive Peak Reverse Voltage	V _{RRM}	V	200
Average Rectified Output Current @60Hz sine wave, R-load, T _c (FIG.1)	I _O	A	20
Surge(Non-repetitive)Forward Current @60Hz half sine-wave, 1 cycle, T _j =25	I _{FSM}	A	120
Current Squared Time @1ms t 8.3ms T _j =25	I ² t	A ² s	60
Storage Temperature	T _{stg}		-55 ~ +175
Junction Temperature	T _j		-55 ~ +175
Typical Junction capacitance @4V,1MHz	C _j	pF	150

FIG3: Forward Voltage

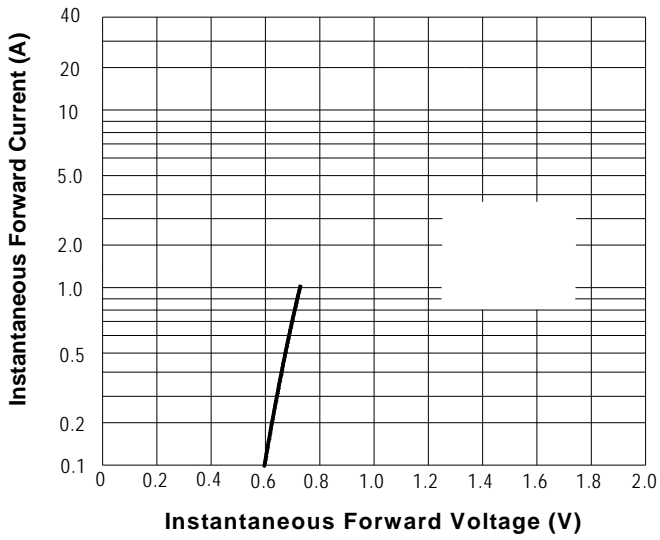
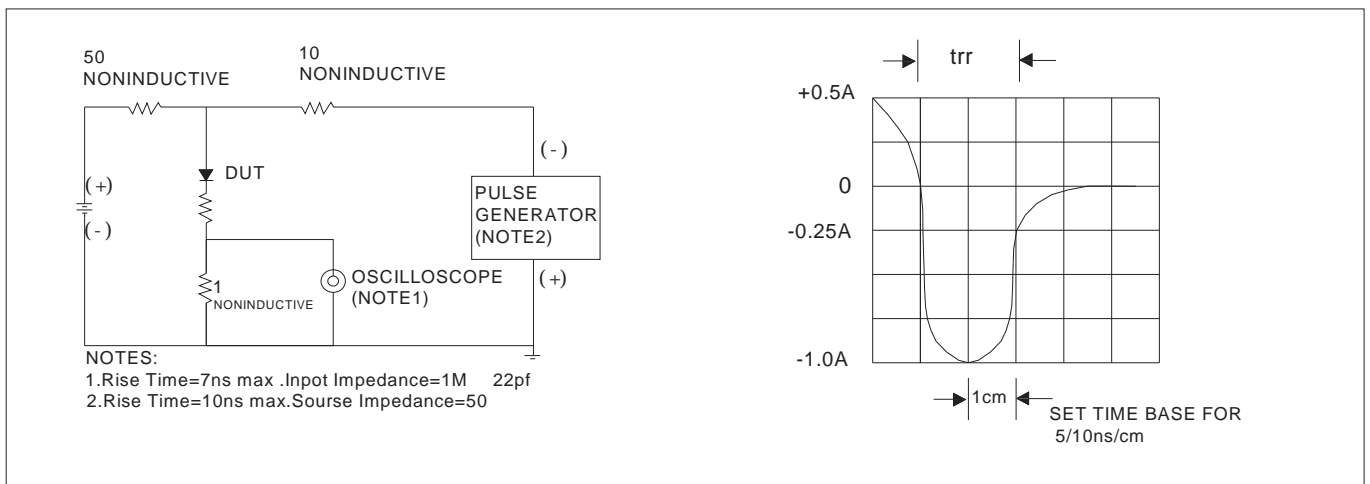


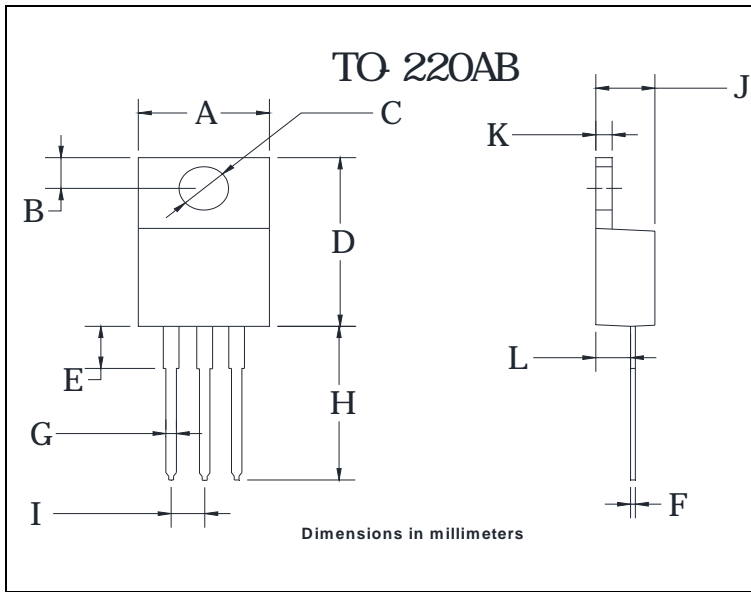
FIG.5: Diagram of circuit and Testing wave form of reverse recovery time





MUR2020CT

Outline Dimensions



TO-220AB		
Dim	Min	Max
A	9.95	10.35
B	2.55	2.95
C	3.8	4.0
D	14.95	15.25
E	3.75	4.25
F	0.26	0.5
G	0.68	0.94
H	13.4	13.9
I	2.35	2.65
J	4.38	4.78
K	1.14	1.4
L	2.37	2.79



MUR2020CT

Disclaimer

The information presented in this document is for reference only do not constitute any offer or recommendation. All rights reserved.

>