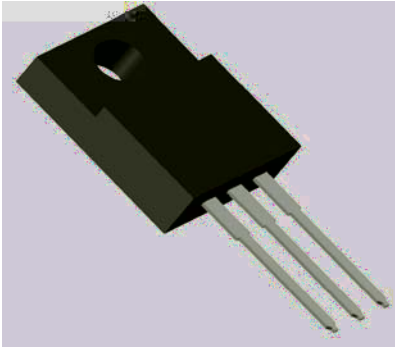




8OWUD)DVW 5HFRYHU\ 'LRGHV \$



)HDWXUHV
 P€ •Dœ" \$GRSW)5(' FKLS
 " /RZ IRUZDUG 9ROWDJH GURS
 ")DVW UHYHUVH UHFRYHU\ WLPH
 " +LJK IUHTXHQF\ RSHUDWLRQ
 " +LJK SXULW\ KLJK WHPSHUDWXUH HSR[\ HC
 HQKDQFHG PHFKDQDQDOPRWUMQWUWHVLVWDQ
 " *XDUG ULQJ IRU HQDQVFBGUDRQJGWHUP U

7\SLFDO \$SSOLFDWLRQV
 7\SLFDO DSSOLFDWLRQV DUH LQ VZLWFKLQJ
 IUHHZKHHOLQJ GLRGHV DQG UHYHUVH EDW

0HFKDQLFDO 'DWD
 " 3DFNDJ,72 \$%
 0ROGLQJ FRPSRQWPHHWDVPPDELOLW\
 UDWLQJ 5R+6 FRPSOLDQW
 " 7HUPLODQVSODWHG OHDGV VROGHUDEOH S
 DQG -(6' %
 3RODU\$WPDUNHG "

v0D[LPXP 5DWVQJVV8QOHVV RWKHU\LVH VSHFLILHG

3\$5\$0(7(5	6<0%2 81,7	085)&7
'HYLFH PDUNLQJ FRGH		085)&7
5HSHWLWLYH 3HDN 5HYHUVH \$,9,ROWDJH		
\$YHUDJH 5HFWLILHG 2XWSXW &XUHQW # +] VLQH ZDYH F5)ORDG 7	2	\$
6XUJH 1RQ UHSHWLWLYH)RUZDUG &XUHQW # +]KDOI VLQH ZDYH - F\FOH)607		\$
&XUHQW 6TXDUHG 7LPH # 7M - È	PV"W" ,W	PV \$V
6WRUDJH 7HPSHUDWXUH	7VWJ -	a
-XQFWLRQ 7HPSHUDWXUH	7M -	a
7\SLFDO -XQFWLRQ FDSDFLWDQFH #9	0+] 0+] 0+]	
0RXQLQJ WRUTXH #UHFRPPHQGÖWRJUHFX	7RU NJ FP	



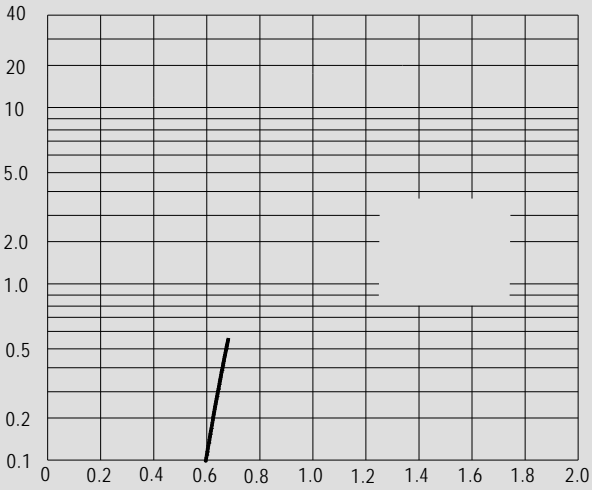
v(OHFWULFDO &KDUDFWHULVWLFV



\$

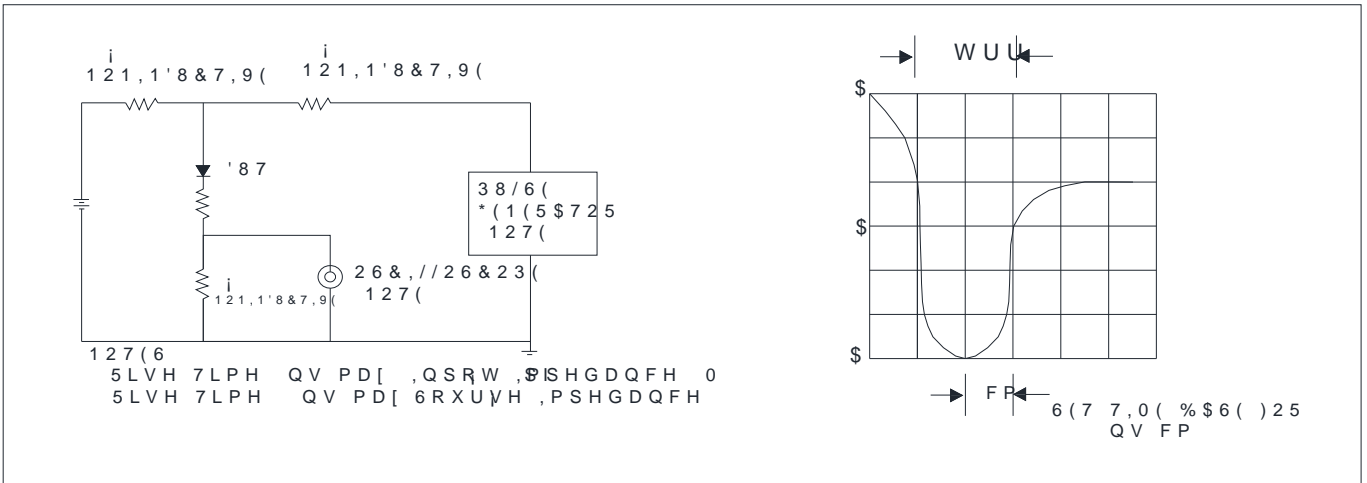
, Q V W D Q W D Q H D R J X G V & X W I Z H Q W

), *) R U Z D U G 9 R O W D J H



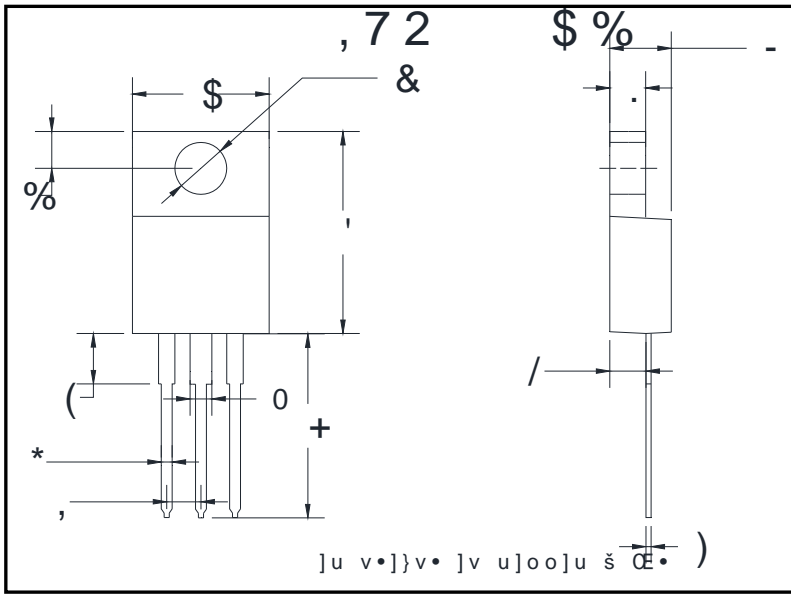
, Q V W D Q W D Q H R X V) R U Z D U G 9 R O W D J H 9

), * ' L D J U D P R I F L U F X L W D Q G 7 H V W L Q J Y Z D Y M U R H P R I U H Y H U V H U H F





v2XWOLQH 'LPHQVLRQV



	,72	\$%
'LP	0LQ	0D
\$		
%		
&		
'		
(
)		
*		
+		
,		
.		
/		
0		



085) & 7

'LVFODLPHU

7KH LQIRUPDWLRQ V GHVFKQWQV LQ WKLV UDQJUH WKHQ HQRXJHQH (OHFFWRUR & LF /WHG UHV
ULJKW WR PDNLWFKRDXW IRU VSHFIRU RYSLRFG FFWV GLVSDUHYGHKWHUOILDEWGLV L JQQ F
RU RWKHUZLVH

7KH SURGXFWOLKWHVSHQHGFRBOWBREHVXVH@ZLDFKpR(LGHG@ZAGPVPDEO`PDWLRQPSV€`