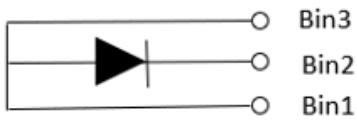
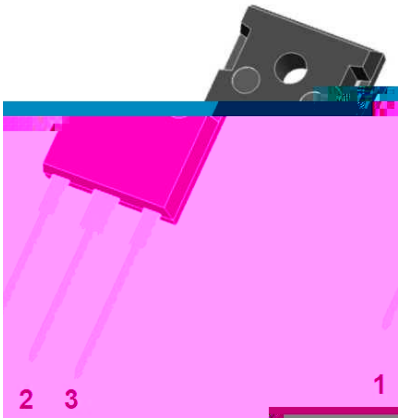




085 3\*7/

RoHS  
COMPLIANT

8OWUD )DVW 5HFRYHU\ 5HFWLILHU ' )HDWXUHV



" +LJK IUHTXHQF\ RSHUDWLRQ  
" +LJK VXUJH IRUZDUG FXUUHQW FDSDELQW  
" +LJK SXULW\ KLJK WHPHUDWXUH HSR[\ H  
HQBDFHG PHFKDQDQOPRWWXUWUHVLVW  
" \*XDUG ULQJ IRU HQDQVFBGUDRQJGWHUP U  
" 6ROGHU GLS y & SDJ -(6' %

7\SLFDO \$\$\$OLFDFWLRQV  
7\SLFDO DSSOLFDFWLRQV DUH LQ VZLWFKLQJ  
IUHHZKHHOLQJ GLRGHV DQG UHYHUVH EDW

'DWD 0HFKDQLFDO  
" 3DFNDJH2 \$%  
0ROGLQJ FRPSRQG PHHWDVPPDELQW\  
UDWLQJ 5R+6 FRPSOLDQW  
" 7HUPLQDQVSODWHG OHDGV VROGHUDEOH S  
DQG -(6' %  
" 3RODU\$WPDUNHG

VOD[LPXP 5DW MQJV8QW HVV 3=

'HYLFH PDUNLQJ FRGH			085 3*7/
5HSHWLWLYH 3HDN 5HYHUVH 9ROWD5510		9	
\$YHUDJH 5HFWLILHG 2XWSXW &XUUHQW # +] KDOI VLQH ZDYH 5 ORDG 7F),*R		\$	
6XUJH 1RQ UHSHWLWLYH )RUZDUG &XUUHQW # +] KDOI VLQH ZDYH - F\FOH 7 )60		\$	
&XUUHQW 6TXDUHG 7LPH #-PV"W	PVW7M	\$V	
6WRUDJH 7HPSHUDWXUH	7VWJ	-	a
-XQFWLRQ 7HPSHUDWXUH	7M	-	a
7\SLFDO -XQFWLRQ FDSDFLWDQFH# &M0+] S)			



6 %  
5HY -XO

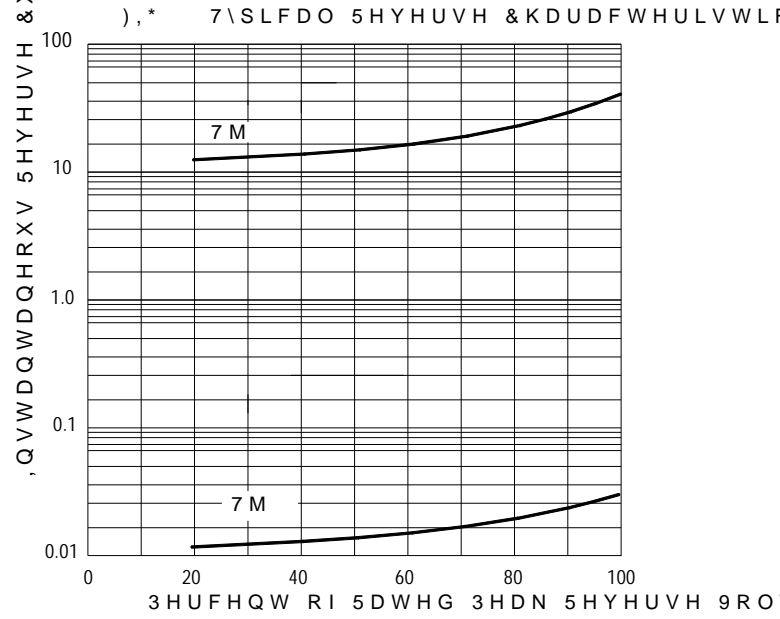
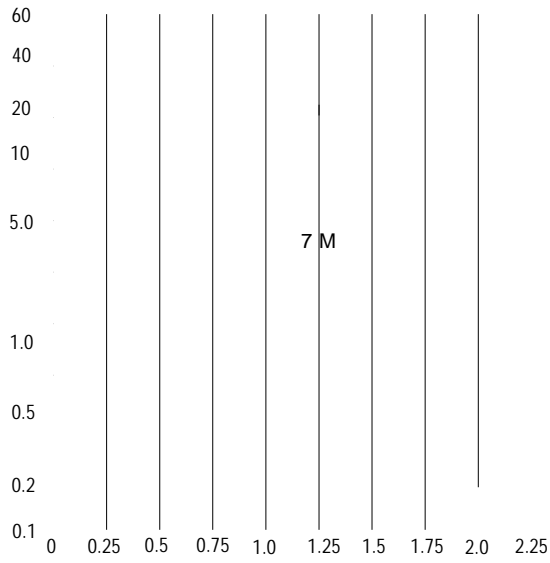
<DQJ]KRX <DQJMEFHQKQWQRQ &R /VZ \DQJMLH P



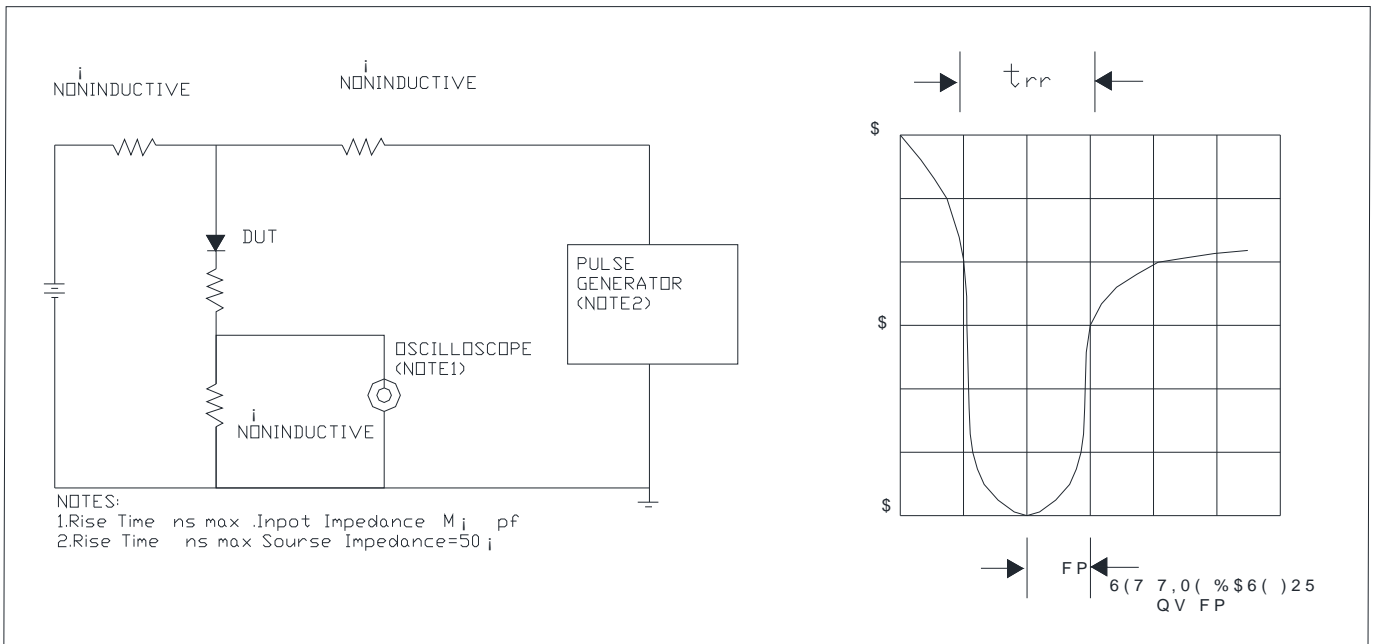


085

3\*7/

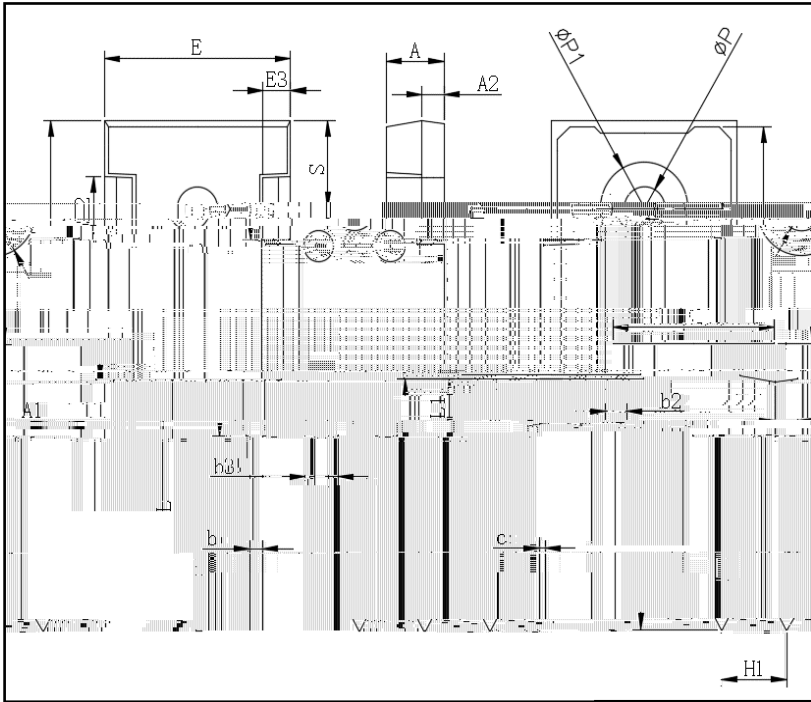


,\* 'LDJUDP RI FLUFVLOUJZDQY HHRUP RYBYMLVPH UHFR





v2XWOLQH 'LPHQVLRQV



	72	\$%
'LP	0LQ	0D
\$		
\$		
\$		
E		
E		
&		
,		
,		
(		
(		
(		
(		
/		
/		
ž 3		
ž 3		
6		7 < 3
+		7 < 3
E		



085 3\*7/

'LVFODLPHU