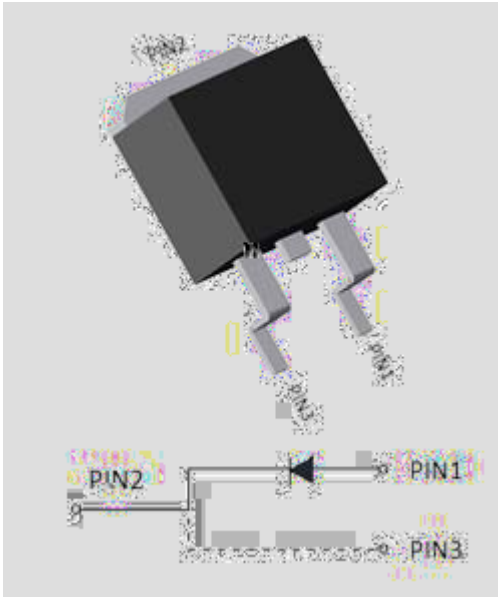




085%

RoHS
COMPLIANT

8OWUD)DVW 5HFRYHU\ 'LRGHV \$)



)HDWXUHV
 " \$GRSW)5(' FKLS
 " /RZ IRUZDUG 9ROWDJH GURS
 ")DVW UHYHUVH UHFRYHU\ WLPH
 " +LJK IUHTXHQF\ RSHUDWLRQ
 " +LJK SXULW\ KLJK WHPSHUDWXUH HSR[\ HO
 HQKDKFHG PHFKDQDDEOPRWUMQUWUHVLVWDC
 " *XDUG ULQJ IRU HQDVFHQGUORJHGHWHUP U

7\SLFDO \$\$\$OLFDFWLRQV
 7\SLFDO DSSOLFDFWLRQV DUH LQ VZLWFKLQJ
 IUHHZKHHOLQJ GLRGHV DQG UHYHUVH EDW

0HFKDQLFDO 'DWD
 " 3DFNDJH2
 0ROGLQJ FRPSRQG PHHWDPPDELOLW\
 UDWLQJ 5R+6 FRPSOLDQW
 " 7HUPLQDQVSODWHG OHDGV VROGHUDEOH S
 DQG -(6' %
 3RODU\$WPDUNHG "

V0D[LPXP 5DWVQJVV8QOHVV RWKHU\LVH VSHFLILHG

| 3\$5\$0(7(5 | 6<0%2/ | 81,7 | 085% |
|--|--------|------|------|
| 'HYLFH PDUNLQJ FRGH | | | 085% |
| 5HSHWLWLYH 3HDN 5HYHUVH 9ROWDJH | | 9 | |
| \$YHUDJH 5HFWLILHG 2XWSXW &XUUHQW # +] VLQH ZDYH 5 ORDG 7F) ,* | | \$ | |
| 6XUJH 1RQ UHSHWLWLYH)RUZDUG &XUUHQW # +] KDOI VLQH ZDYH - F)60 FOH 7M | | \$ | |
| &XUUHQW 6TXDUHG 7LPH #-FV' W" P, W 7M | | \$ V | |
| 6WRUDJH 7HPSHUDWXUH | 7vwj | - | a |
| -XQFWLRQ 7HPSHUDWXUH | 7M | - | a |
| 7\SLFDO -XQFWLRQ FDSDFLWDQFH #&M 0+] | | S) | |

085%

v(OHFWULFDO & KDUDFWHULVWLFV

| 3\$5\$0(7(5 | 6<0%2 | 81,7 | 7(67 & 21',7,216 | 0LQ | 7\ S | 0D[|
|--------------------------|-------|------|------------------|-----|------|-----|
| ,QVWDQWDQHRXV IRUZDUG YR | OWDJH | GURS | SHU CLRCH | | | |
| | | | \$ # 7M- | | | |
| | | | \$ # 7M - | | | |



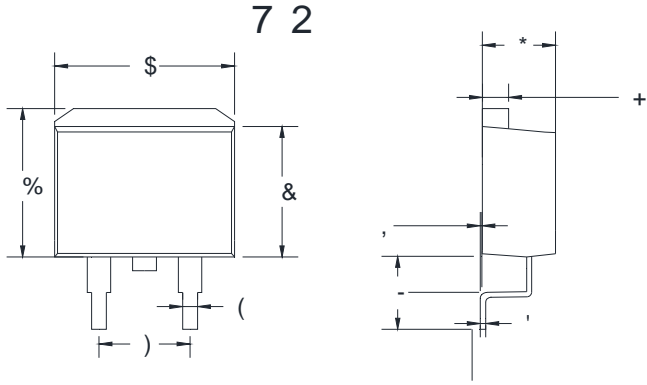
0 8 5 %

v&K D U D F W H U L S W F L D F O V



085%

v2XWOLQH 'LPHQVLRQV



| 72 | | |
|-----|-----|----|
| 'LP | 0LQ | 0D |
| \$ | | |
| % | | |
| & | | |
| ' | | |
| (| | |
|) | | |
| * | | |
| + | | |
| , | | |
| - | | |
| . | | |
| / | | |
| 0 | | |
| 1 | | |

'LPHQVLRQV LQ PLOOLPHWHUV

v6XJJHVWHG 3DG /D\RXW



| 'LP | 0LOOLPHWHUV |
|-----|-------------|
| \$ | |
| % | |
| & | |
| 3 | |
| 4 | |
| 4 | |

085%

'LVFODLPHU

7KH LQIRUPDWLRQ VSHGHVFKRWGV LQ WRKULJDHGHJKRQFHDPDQDZHF(IQHFOVRURQLF /WHG UHV
ULJKW WR PDNIHWKRDQWIDRZVSHFIRIWRDWSLRFGRFWV GLVSPDARIYGHKUHWHILDEWQGLVVLJQQF
RU RWKHUZLVH

7KH SURGXFWQLVGHV/KJLHG WR EHHKWHGZLRQKRUGKQSDPHQW RU GHYLFHWWKQGG
HTXLSPHQW RU GHYLFHV ZKLFK UHTGLWKHKEDIOIQZVWOLRRXIDHQBDEHGHAWKDEKQDOLIH
PHGLFDO LQVWUXEMSRUWHDQWRQHUTRXLSPH RDXFOLHOU UHDFWRHDFRQWURROOHVV DQ
GHYLFHV <DQJMLHLRV DQKROH DQVXPLDQVRRWHO SRELVQLEWVROVDIQQJGIDRPPJMMFK LP
RI VDOH

7KLV SXEOLFDWLRQSVXSHUWIDGIDLQURUPDVSLSQGLSGHYLRDVGGLWLRQDO LQWRUPDWLR
KWWS

RQ

QR€p7RUÀ00