

085% & 7

8OWUD )DVW 5HFRYHU\ 'LRGHV \$

)HDWXUHV  
" \$GRSW )5(' FKLS  
" /RZ IRUZDUG 9ROWDJH GURS  
" )DVW UHYHUVH UHFRYHU\ WLPH  
" +LJK IUHTXHQF\ RSHUDWLRQ  
" +LJK SXULW\ KLJK WHPSHUDWXUH HSR[\ H  
HOKDQFHG PHFKDQDQOPRWWMOUWKUHVLVWD  
" \*XDUG ULQJ IRU HOKDQFHG UHFRYHU\

7\SLFDO \$SSOLFDWLRQV  
7\SLFDO DSSOLFDWLRQV DUH LQ VZLWFKLQJ  
IUHHZKHHOLQJ GLRGHV DQG UHYHUVH EDW

0HFKDQLFDO 'DWD  
" 3DFNDJH2  
0ROGLQJ FRPSRQGGPHHWDPPDELOLW\  
UDWLQJ 5R+6 FRPSOLDQW  
" 7HUPLQDQVSODWHG OHDGV VROGHUDEOH S  
DQG -(6' %  
3RODU\$WPDUNHG "

v0D[LPXP 5DWVQJVV8QOHVV RWKHU\LVH VSHFLILHG

3\$5\$0(7(5	6<0%2	81,7	085% & 7
'HYLFH PDUNLQJ FRGH			085% & 7
5HSHWLWLYH 3HDN 5HYHUVH \$RROWDJH			
\$YHUDJH 5HFWLILHG 2XWSXW & XUHQW # +] VLQH ZDYH F5)ORDG 7			
6XUJH 1RQ UHSHWLWLYH )RUZDUG & XUHQW # +]KDOI VLQH ZDYH - F\FOH <sup>607</sup>			
& XUHQW 6TXDUHG 7LPH # PV"W" PV 7M	, W	\$ V	
6WRUDJH 7HPSHUDWXUH	7VWJ	-	a
-XQFWLRQ 7HPSHUDWXUH	7M	-	a
7\SLFDO -XQFWLRQ FDSDFLWDQFH #9 0+]			

085% & 7

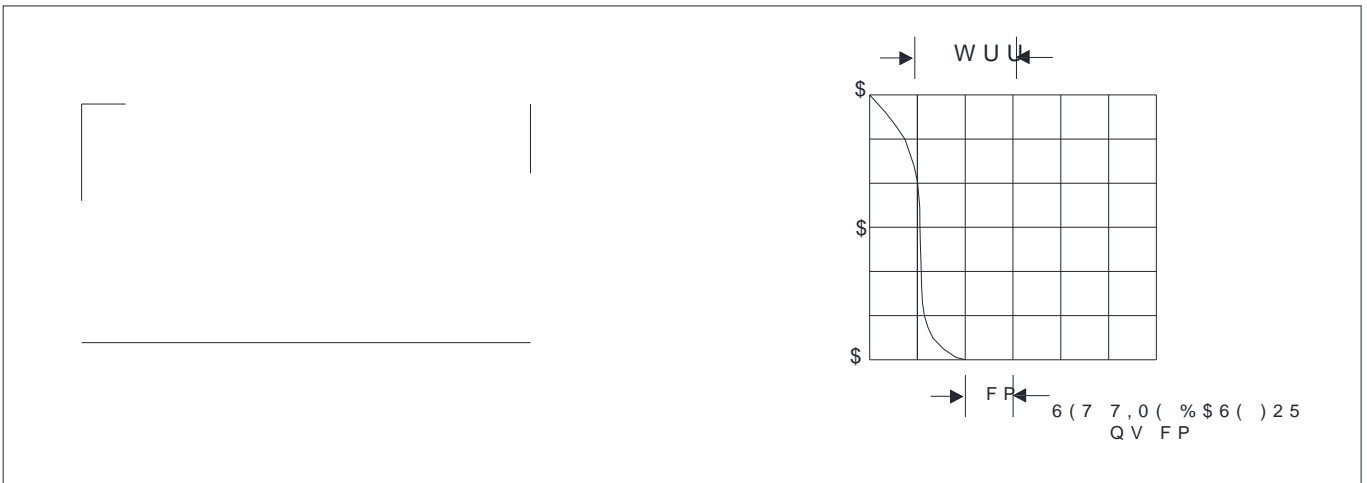
v(O FDO & KDUDFWHULVWLFV

	\$5\$0(7(5	6<0%2	81,7	7(67 & 21',7,216	0LQ	7\S	0D[
,QV	HRXV IRUZDUG YROWD		JH GURS	\$ #M - SHU GLRCH			
'& U	FXUUHQW DW	550		9 <sub>50</sub> 9 <sub>550</sub> 7M -			
UDV	ORFNLQJ YROWD	550		9 <sub>50</sub> 9 <sub>550</sub> 7M -			
5HY	FRYHU\ 7LPH		QV	\$ 50 \$ 7M -			
3HD	YHU\ FXUUHQW	550	\$	7M - 7M -	\$ GL GW \$ XV 9 <sub>50</sub> 9		
5HY	FRYHU\ FKDUJH		Q&	7M - 4UU 7M -			

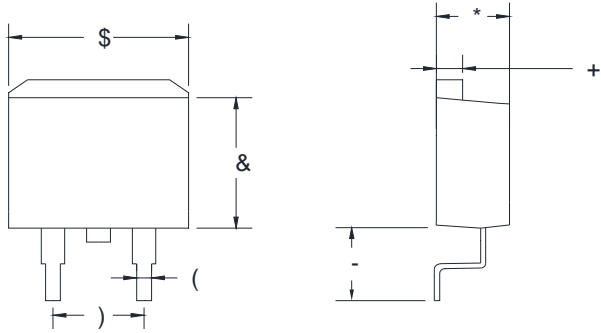
v7KHUPDO & KDUDFWHULVWLFV RWKHU\LVH VSHFLILHG

3\$5\$0(7(5

),\* 'LDJUDP RI FLUFXLW DQG 7HVWLQJYDYMURRP RI UHYHUVH UHF

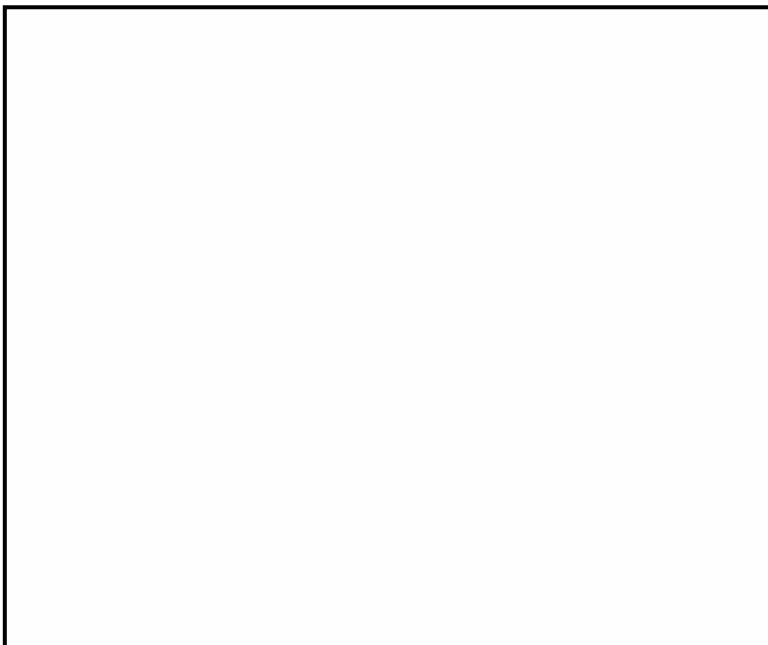


v2XWOLQH 'LPHQVLRQV



72		
'LP	0LQ	0D
\$		
%		
&		
'		
(		
)		
*		
+		
,		
-		
.		
/		
0		
1		

v6XJJHVWHG 3DG /D\RXW



'LP	0LOOLPHWHUV
\$	
%	
&	
3	
4	
4	

085% & 7

---

'LVFODLPHU

7KH LQIRUPDWLRQ SURVFKLQJ LQ WKH LQJHQHJLRQV HURQJLQZHF (OHFFWRUR & LF /VHG UHV  
ULJKW WR PDNLWFKRDXW LQVSHFIRIWRVSLRQG FFWV GLVSDUWYGHKWHUOLDEWGLV L J Q F  
D PÅ = < 7 UE€ GXp < DÅWR V `°046€`ðPpE€ef `€0V0 GX HUÀð,, ð W