



## Surface Mount Ultrafast Rectifier Diode

### Typical Applications

For use in high frequency rectification and freewheeling application in switching mode converters and inverters for consumer, computer and telecommunication.

@60Hz Half-sine wave, 1 cycle, Tj=25

### Mechanical Data

**Package:** DO-214AB (SMC)

Molding compound meets UL 94 V-0 flammability rating, RoHS-compliant, halogen-free

**Terminals:** Tin plated leads, solderable per J-STD-002 and JESD22-B102

**Polarity:** Color band denotes the cathode end

### Maximum Ratings (Ta=25 Unless otherwise specified)

PARAMETER	SYMBOL	UNIT	MURS340
Device marking code			MURS340
Maximum Repetitive Peak Reverse Voltage	$V_{RRM}$	V	400
Maximum RMS Voltage	$V_{RMS}$	V	280
Maximum DC blocking Voltage	$V_{DC}$	V	400

Average Rectified Output Current  
@60Hz sine wave, Resistance load, TL V

	FSM	A	100
Forward Surge Current (Non-repetitive) @1ms, square wave, 1 cycle, Tj=25			200
Current squared time @1ms t 8.3ms Tj=25	$I^2t$	A <sup>2</sup> s	41.5
Storage Temperature	$T_{stg}$		-55 ~ +150
Junction Temperature	$T_j$		-55 ~ +150

### Electrical Characteristics Ta=25 Unless otherwise specified

PARAMETER	SYMBOL	UNIT	TEST CONDITIONS	MURS340
-----------	--------	------	-----------------	---------



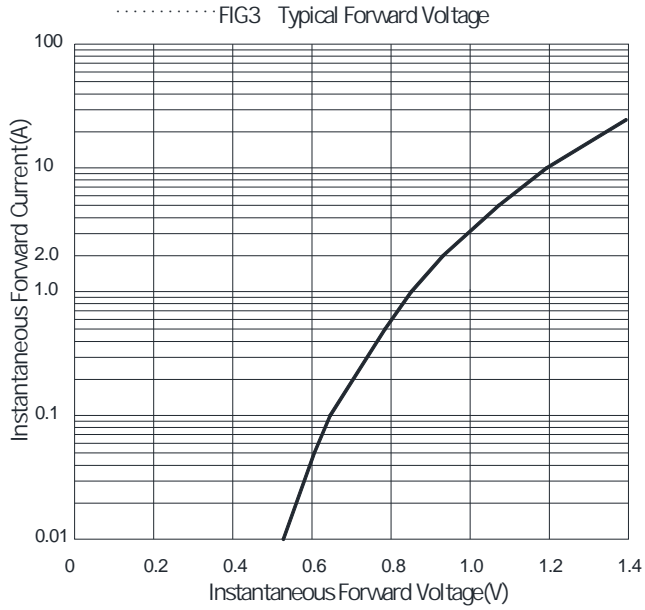
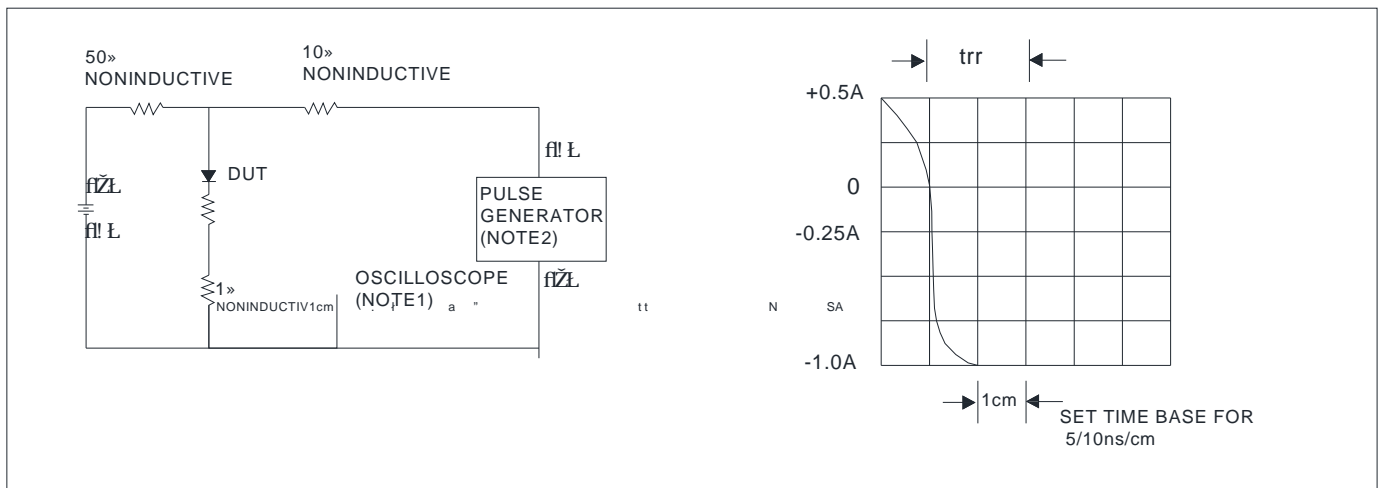
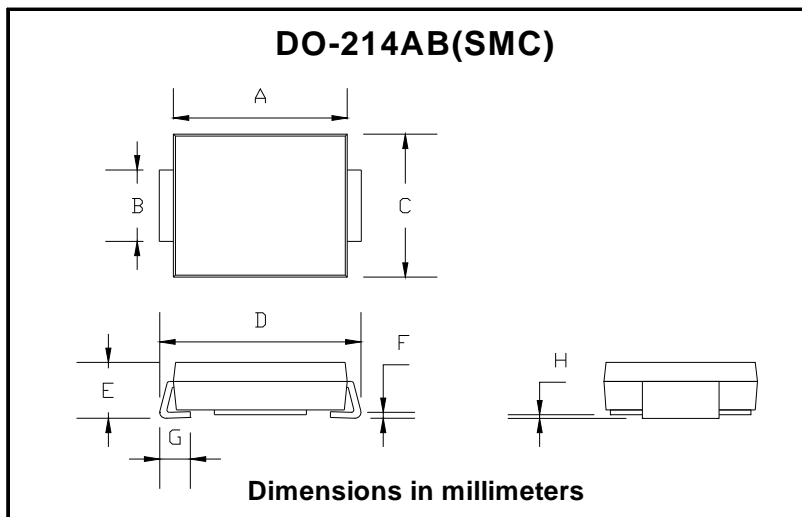


FIG.5: Diagram of circuit and Testing wave form of reverse recovery time



## Outline Dimensions



DO-214AB (SMC)		
Dim	Min	Max
A	6.60	7.11
B	2.85	3.27
C	5.59	6.22
D	7.75	8.13
E	1.99	2.61
F	0.15	0.31
G	0.76	1.52
H	0.05	0.20

**MURS340**



## Disclaimer

The information presented in this document is for reference only. Yangzhou Yangjie Electronic Technology Co., Ltd. reserves the right to make changes without notice for the specification of the products displayed herein to improve reliability, function or design or otherwise.

The product listed herein is designed to be used with ordinary electronic equipment or devices, and not designed to be used with equipment or devices which require high level of reliability and the malfunction of which would directly endanger human life (such as medical instruments, transportation equipment, aerospace machinery, nuclear-reactor controllers, fuel controllers and other safety devices), Yangjie or anyone on its behalf, assumes no responsibility or liability for any damages resulting from such improper use of sale.

This publication supersedes & replaces all information previously supplied. For additional information, please visit our website [http:// www.21yangjie.com](http://www.21yangjie.com) , or contact us at [service@21yangjie.com](mailto:service@21yangjie.com) .