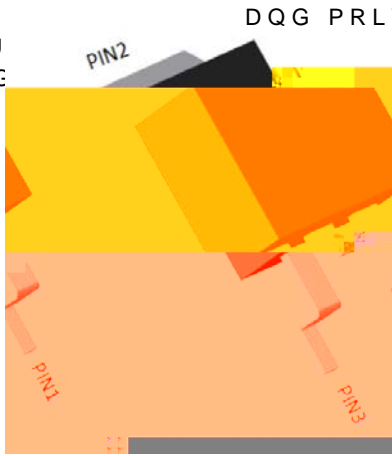




### General Purpose Rectifier

\* XDU  
6 ROC



DQG PRLVWXUH UHVLVWDQFH  
GUORJUHGWHP UHOLDELOLW\

#### Typical Applications

7\SLFDO DSSOLFDWLRQV DUH LQ VZLWFKLQJ  
IUHHZKHHOLQJ GLRGHV DQG UHYHUVH EDW\

#### Mechanical Data

" PO UNIT



			GPB1010
'HYLFH ODUNLQJ &RGH			* 3 %
OD[LPXP 5HSHWLWLYH SHDN UHYHUVH YROWDJH 9			
OD[LPXP 506 9ROWDJH	9 <sub>506</sub>	9	
OD[LPXP '& %ORFNLQJ 9ROWDJH	9 <sub>&amp;</sub>	9	
\$YHUDJH 5HFWLILHG 2XWSXW &XUHQW # +] KDOI VLQH ZDYH 5 ORDG 7F ),*			\$
6XUJH 1RQ UHSHWLWLYH )RUZDUG &XUHQW # +] KDOI VLQH ZDYH - F\FOH 7D ,)60			\$
&XUHQW 6TXDUHG 7LPH # PV"W	PV,7D		\$ V
7\SLFDO MXQFWLRQ FDSDFLWDQFH # 0+] DQG \$\$\$OLHG 5HYHUVH 9ROWDJH RI 9 '&			\$
6WRUDJH 7HPSHUDWXUH	7VWJ	-	a
-XQFWLRQ 7HPSHUDWXUH	7M	-	a

#### Electrical Characteristics

PARAMETER	SYMBOL	UNIT	TEST CONDITIONS	GPB1010
OD[LPXP LQVWDQWDQHRXV )RUZDUG YROWDJH GURS SHU GLRGH 9)0		9	,)0 \$	
OD[LPXP '& UHYHUVH FXUHQW DW UDWHG '& EORFNLQJ YROWDJH SHU GLRGH ,550			950 9550 7D -	
			950 9550 7D -	



# GPB1010

## Thermal Characteristics

PARAMETER	SYMBOL	UNIT	GPB1010
7\SLFDO 7KHUPDO	5HVLVWDQFH	%HWZ	5H&Q MXQF-W:LRQ DQG FDVH

## Ordering Information

PREFERED P/N	UNIT WEIGHT(g)	MINIMUM PACKAGE(pcs)	INNER BOX QUANTITY(pcs)	OUTER CARTON QUANTITY(pcs)	DELIVERY MODE
* 3 %	\$SSUR[LPDWH				7 X E H

## Characteristics

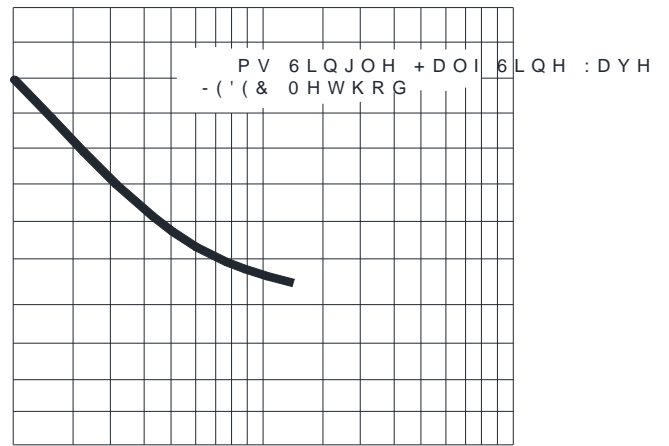


FIG3: Typical Forward Voltage

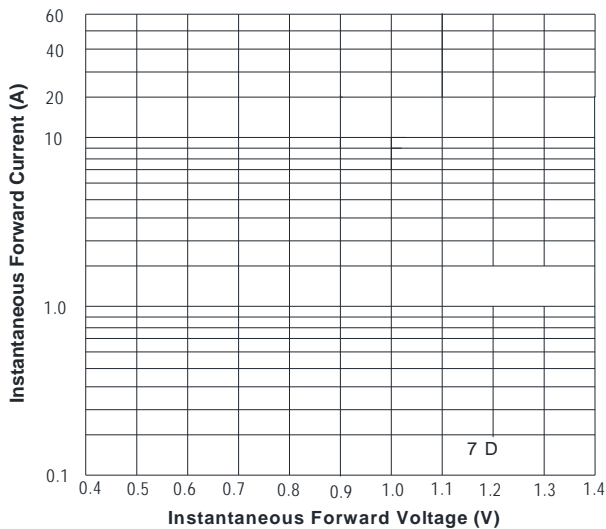
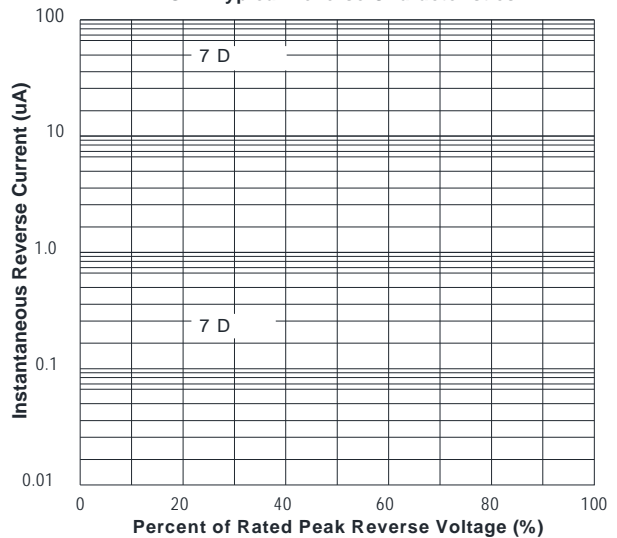


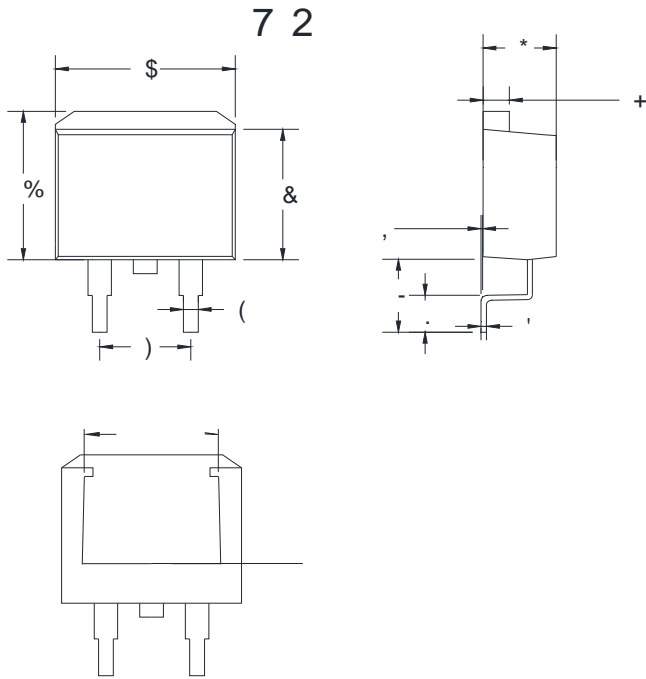
FIG4: Typical Reverse Characteristics





# GPB1010

## Outline Dimensions



TO-263		
'LP	0LQ	0D
\$		
%		
&		
'		
(		
)		
*		
+		
,		
-		
.		
/		
0		
1		

'LPHQVLRQV LQ PLOOLPHWHUV

\* 3 %

'LVFODLPHU

7KH LQIRUPDWLRQ V GHVFXQWV LQ WKH UDQGHU JKRQJ HDUHQJZH (HQFRVUR QLF /VHG UHV  
ULJKW WR PDNLWKRDXW LQVLSH FRIW RYVLSLRQG R FWWV GLV SPSDURYGHKUHUGLDEWGLWV L JQQ F  
RU RWKHU ZLVH

7KH SURGXFW QLVGHV LKJHGL WR EH HXWVHG ZLWK R UHG XQS RQW RU GHYLFH W KDQG Q  
HTXLSPHQW RU GHYLFHV ZKLFK UHTXLMKHKE DIO IZLWV L RQX DHEO GDEH CHW K DFKQ DVLH  
PHGLFDO LQVWUXQMSRUWHDWLRQHUTRXLSEPH RDXFKLHD U UHDFWRHU FRQWURROOHV DQ  
GHYLFHV <DQJMLHVRV DFKBQH DQVXRIV VARRWHOSBRLVLEWVROVDLQJGIDRPPXMF K LP  
RI VDOH

7KLV SXEOLF DWLRQ SVXSSHUW DGHV LQURQV D XLSRQ LSGHYRUR XDG GLWLRQDO LQWRUPDWLR  
KWVZZ \DQJMLHRRRPRQVXOW \RXU QH DUHVW <DQJMLVHMVQVDFHOHV RILFH IRU IXUW