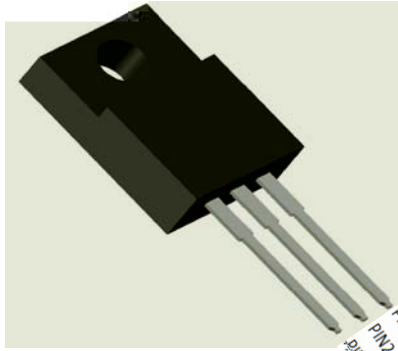




# 6 F K R W W N \ ' L R G H V



## ) H D W X U H V

+ L J K I U H T X H Q F \ R S H U D W L R Q  
 / R Z I R U Z D U G Y R O W D J H G U R S  
 + L J K S X U L W \ K L J K W H P S H U D W X U H H S R  
 H Q K D Q F H G P H F K D Q F G P R L W W X O J H W K H V L V  
 \* X D U G U L Q J I R U H Q K D Q F H G U X J J H G  
 U D W L Q J 5 R + 6 F R P S O L D Q W



7 H U P L Q D L O V S O D W H G O H D G V V R O G H U D E O H  
 - 6 7 ' D Q G - ( 6 ' %  
 3 R O D U L S W \ P D U N H G

## V 0 D [ L P X P 5 D W D Q J V 8 Q O H V V R W K H U Z L V H V S H F L I L H G

3 \$ 5 \$ 0 ( 7 ( 5	6 < 0 % 2 /	8 1 , 7	0 % 5 ) & 7
' H Y L F H P D U N L O J F R G H			0 % 5 ) & 7
5 H S H W L W L Y H 3 H D N 5 H Y H U V H 9 R 9 5 W D J H		9	
\$ Y H U D J H 5 H F W L I L H G 2 X W S X W & X U U H Q W # + ] V L Q H Z D Y H ) , 5 ' O R D G   7 F ' 2		\$	

6 X U J H 1 R Q U H S H W L W L Y H ) R U Z D U G & X U U H Q W  
 # + ] K D O I V L Q H Z D Y H ' F \ F O H ' 7 D

--	--	--	--

## v ( O H F W U L F D O & K D U D F W H U L W L F V R W K H U Z L V H V S H F L I L H G

3 \$ 5 \$ 0 ( 7 ( 5	6 < 0 % 2 /	8 1 , 7	7 ( 6 7 & 2 1 ' , 7 , 2 1 6	0 % 5 ) & 7
O D [ L P X P L Q V W D Q W D Q H R X V L R U Z D U G Y R O W D J H G U R S S H U G L R G H 9 0			9 0 \$ 9	
O D [ L P X P ' & U H Y H U V H F X U U H Q W D W U D W D G ' & E O R F N L Q J Y R O W D J H S H U G L R G H P \$	5 5 0 5 5 0		9 5 0 9 5 0 9 5 0 9 5 0 7 D	

1 R W H 3 X O V H W H V W X 6 S X O V H Z L G K G X W \ F \ F O H

1 R W H 3 X O V H W H V W S X O V H Z L G K P 6



0 % 5 ) & 7

v7KHUPDO & KDUDFWHULVWDFWV RWKHUZLVH VSHFLILHG

3 \$ 5 \$ 0 ( 7 ( 5	6 < 0 % 2 /	8 1 , 7	0 % 5 ) & 7
7 KHUPDO 5 HVLVWDFWV	5 - &	:	
	5 - s	:	

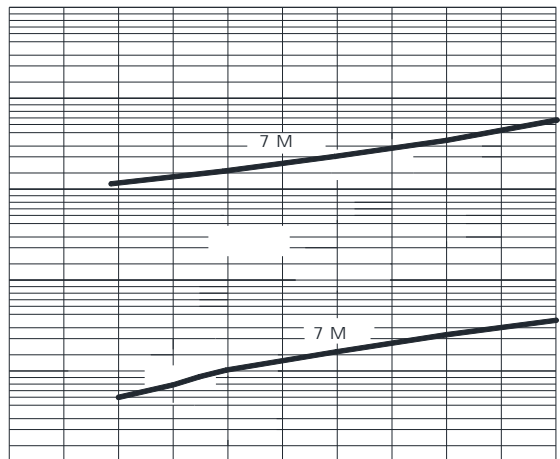
v2UGHULQJ , QIRUPDWLRQ

3 5 ( ) ( 5 ( ' 3 1	8 1 , 7 : ( , * + 7 J	0 , 1 , , 0 8 0 3 \$ & . \$ * ( SFV	, 1 1 ( 5 % 2 ; 4 8 \$ 1 7 , 7 < SF	2 8 7 ( 5 & \$ 5 7 2 4 8 \$ 1 7 , 7 < SF	' ( / , 9 ( 5 < 0 2 ' (
0 % 5 ) & 7	\$ SSUR[LPDWH				

v & KDUDFWHULVWDFWV

, QVWDQDQRXV 5HYHUVH & XUHHQW P \$ 3 H( Fb13H

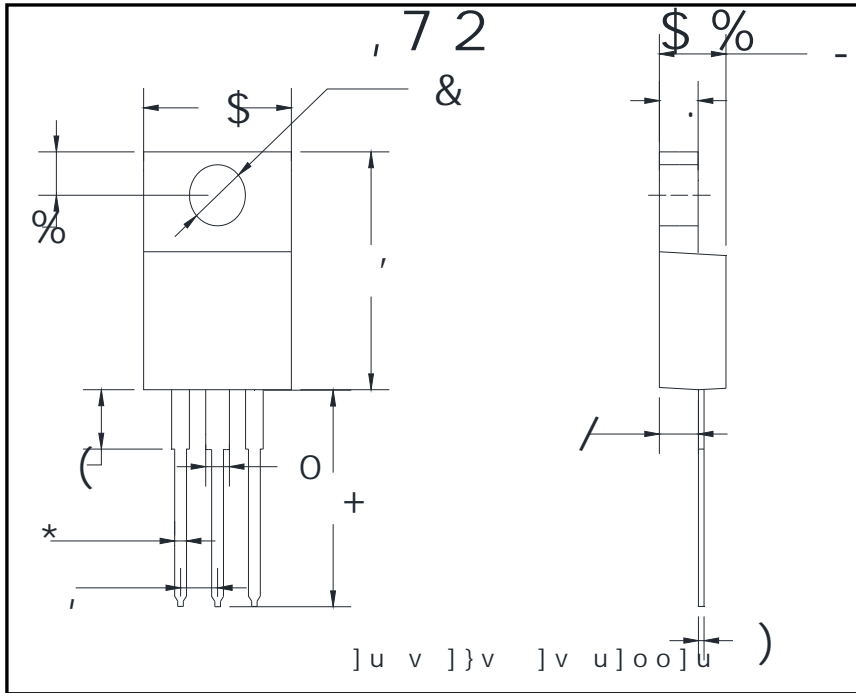
), \* 7 \ SLFDO 5HYHUVH & KDUDFWHULVWDFWV



3HUFHQW RI 5DWHG 3HDN 5HYHUVH 9ROWD



v2XWOLQH 'LPHQVLRQV



	, 72	\$ %
' L P		
\$		
%		
&		
'		
(		
)		
*		
+		
,		
-		
.		
/		
O		

'LVFODLPHU

7 KH LQIRUPDWLRQ SURFHVVHUV GLVQRWV K D E U H J K R I X F H D Q D N E K Q (RCHRFJW U&RQ L FH/ W G U  
 ULJKW WR PDINWK R K X D W J H F W W Z S F H F U R K F H D W S U R Q X R W W G L V P S S O U D R Y H G U K H I O U L H D E O L O A H R V L J Q X  
 R U R W K H U Z L V H

7 KH SURGXFWQ OLVV W H H V L K O H U G I L W R E H H O X I V M G J R Z Q M F K H R T X G L S O D I Q W R U G H Y L F W H K D O  
 H T X L S P H Q W R U G H Y L F H V Z K L F K U G I T X K U H P O D J J L O O F H W L Z F R O X G R I G O U G H D O H I H E M L O X K P A O O D V O L I  
 P H G L F D O L Q V W W U D X O P V H S O R W W Q W L R D H U R X E B R H O P X D F O H D U U H D I F X W H P O U F F R R O W W U R R O B O O H U U V  
 G H Y L F H V < D Q J M L W V R E H K O V O R I Q H D V R Q X O P H W \ O R R U U O H I V S E R L O O U L M V X O R W L O Q D N U G R D X P V H X I H K  
 R I V D O H

7 K L V S X E O L F D W L R H S O V D X F S H W V D H O G H V Q O R W U R X S W S L O Q H G U H Y R W R X V G L W L R Q D O W E I R U P D V  
 K W V 8 Z \ D Q J M L R U F R R Q V X O W \ R X U Q H D U H V W \ V D L O Q J W M D O H I W V D O H V R I I L F H I R U